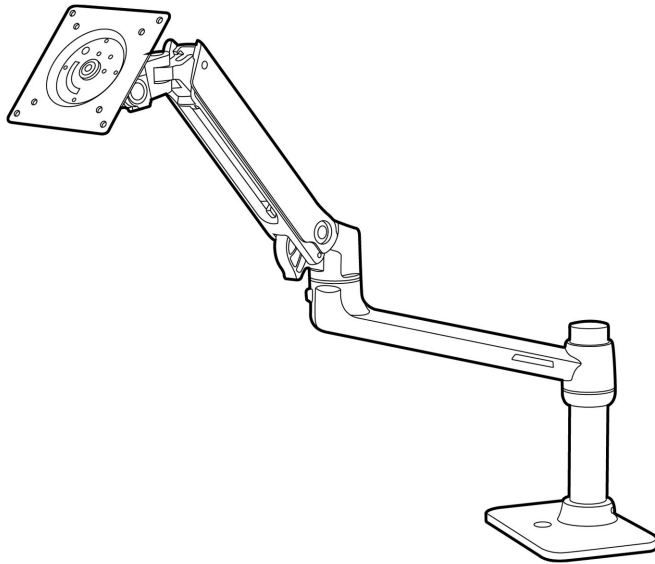
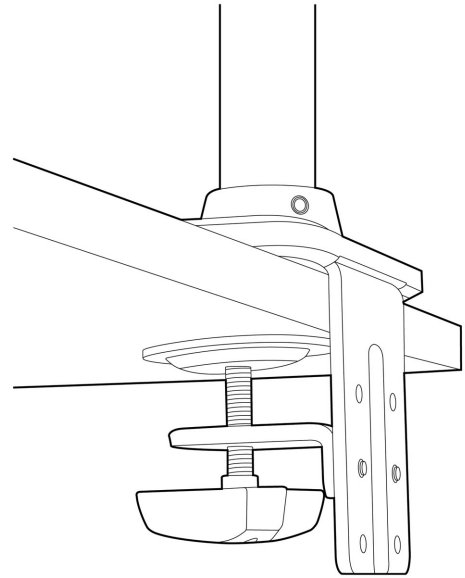


Overview



Single Monitor Arm



Single Monitor Arm Clamp

Models

HP Single Monitor Arm

BT861AA

Introduction

The HP Single Monitor Arm is the perfect desk accessory for your work life. Sleek and streamlined, the HP Single Monitor Arm is designed to complement the way you work.

The HP Single Monitor Arm comes with a sturdy base and clamp, which attaches to the edge of your desk or worktable. It includes convenient cable management to route cables under the arm and out of the way, and to help reduce cable clutter on your workspace. It also provides a range of display adjustments including 13 inches of lift, 75 degrees of tilt, and 360 degrees of pan and rotation, so you can adjust the height and angle of your monitor. Connect the monitor to your laptop or desktop PC, and stay comfortable and productive throughout the day.

HP provides a portfolio of professional-grade accessories to help you achieve your business goals, increase productivity and lower your costs. All HP accessories go through rigorous testing and are certified to work seamlessly with your HP Desktop, Notebook, or All-in-One PC. They are backed up by HP's world-class support.

Key Benefits

- Space saving design frees up valuable desk space
- Supports up to one 24" diagonal display
- Flexible arm adjusts to your size, posture and work preference
- Locate the arm wherever it is most convenient for you on a desk, and secure then it with the adjustable clamp

Overview

Compatibility

Compatible with the following All-in-One Business PCs:

HP ProDesk 800 G1 All-in-One*

HP ProOne 600 G1 All-in-One*

HP Compaq 8300 Pro All-in-One*

HP Compaq 6300 Pro All-in-One*

*Touch models not supported

NOTE: Not all models are available in all regions.

Compatible Monitors

ProDisplayMonitors	HP Compaq LE1711 17-inch LCD Monitor	EM886A
	HP Compaq LE1901wl 19-inch LED Backlit LCD Monitor	XL877AA
	HP Compaq LE1911 17-inch LCD Monitor	EM887A
	HP Compaq LE2202x	LL649A
	HP ProDisplay P221 21.5-inch LED Backlit Monitor	C9E49AA

EliteDisplay Monitors	HP Compaq LA2205wg 22-inch Widescreen LCD Monitor	NM274A
	HP Compaq LA1751g 17-inch LCD Monitor	EM889A
	HP Compaq LA2006x	XN374A
	HP Compaq LA2206x	XN376A
	HP Compaq LA2306x	XN375A
	HP Compaq LA2405x	A9P21AA
	HP EliteDisplay E231 23-inch LED Backlit Monitor	C9V75AA

Performance Monitors	HP ZR2240w 21.5-inch LED Backlit IPS Monitor	XW475A4, XW475A8
	HP ZR2440w 24-inch LED Backlit IPS Monitor	XW477A4, XW477A8
	HP Z22i 21.5-inch IPS Display	D7Q14A4, D7Q14A8, D7Q14AS, D7Q14AT
	HP ZR2330w 23-inch IPS LED Backlit Monitor	C6Y18A4, C6Y18A8, C6Y18AS, C6Y18AT
	HP Z23i 23-inch IPS Display	D7Q13A4, D7Q34A8, D7Q13AS, D7Q13AT

Overview

Specialty Monitors	HP Compaq L2311c	A1W80AA
	HP L2401x 24-inch LED Backlit Monitor	B6R21AA
	HP Compaq LA2206xc 21.5-inch Webcam LCD Monitor	LW490AA
	HP Compaq L2311c	A1W80AA
Touch Series Monitors	HP Compaq L2206tm	B0L55AA

Service and Support

One-year limited warranty. Additional support is available 24 hours a day, seven days a week by phone as well as online support forms.

NOTE: Certain restrictions and exclusions apply. Consult the [HP Customer Support Centre](#) for details.

Technical Specifications

HP Single Monitor Arm	Basic Product Specifications	Assumed Display Size	Supports displays up to 24 in (60.96 cm)
		Assumed Weight of Display	Supports displays weighing 7–20 lbs (3.1–9.1 kg) * Monitor depth greater than 2 in (5 cm) may diminish capacity.
		VESA Configuration	MIS-D Mounting Standards: VESA FDMI, MIS-D, 75/100, C (hole pattern = 100 x 100 mm & 75 x 75 mm)
		Desk Mounting Configuration	Desk Clamp attaches to surface edge 0.4 in to 2.4 in (10 to 60 mm) thick; Grommet Mount attaches through surface holes 0.31 in to 2 in (8 to 50 mm) wide and up to 3 in (76 mm) thick
		Add-Ons – Soundbar, Non-Standard Cables, etc.	None assumed
	Product Features	Tilt Adjustment Range	75° Total Range (+70° rear / -5° front)
	Height Adjustment Range	13 inches (330mm)	
	Landscape to Portrait	360° P/L	
	Landscape to Portrait Detent	None	
	Side to Side Pan	Pans at pole 360°; pans at extension 360°; pans at monitor 180°	
	Arm Extension	Extends/retracts LCD up to 25.6 in (650 mm)	
	Quick Release Mechanism	None	
	Tilt Lock Feature	None	
Cable Management Feature	Cable management feature included underneath the lift arm and extension arm		
Weight Adjustment Feature	End user weight adjustment feature included		
Product Finish	HP Black		
Safety, Testing and Environmental	Product Storage and Transportation	-4° to +140° F (-20° to +60° C)	

Overview

Specifications

Temperature

Operating Temperature 32° to 104° F (0° to 40° C)

Safety Considerations Engineered to meet Ergotron's workmanship standard for safety.

**Regulatory/Usability/
Environmental
Requirements** RoHS – Standard

**Product Testing
Procedure & Design
Standard** The product testing procedure & design standard will be determined, documented and monitored by Ergotron.

Operating Life NA

Manuals and Accessories **Install guides and
warranty info
requirements** None

Accessory Kits Includes desk clamp and grommet mount accessory kits

© Copyright 2013 Hewlett-Packard Development Company, L.P.

The information contained herein is subject to change without notice.

The only warranties for HP products and services are set forth in the express warranty statements accompanying such products and services. Nothing herein should be construed as constituting an additional warranty. HP shall not be liable for technical or editorial errors or omissions contained herein.