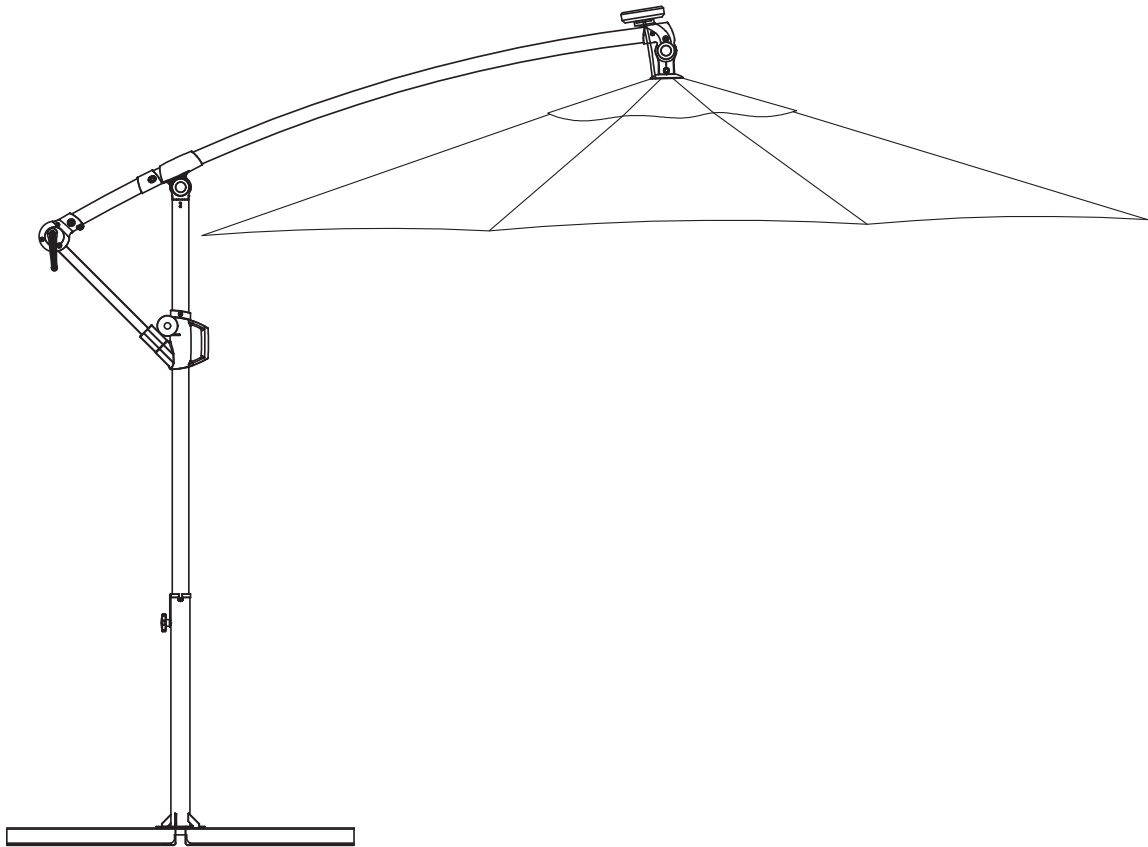


# ASSEMBLY INSTRUCTION

## LED Cantilever Patio Umbrella



Customer Service: [contactus24service@gmail.com](mailto:contactus24service@gmail.com)  
Phone: (951) 213-4742

## ASSEMBLY INSTRUCTIONS:

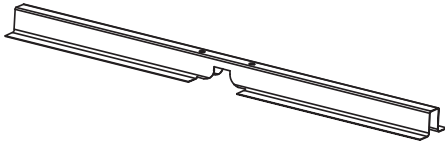
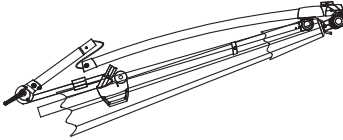
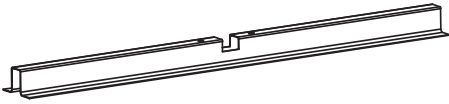

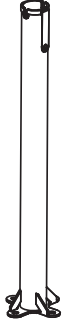
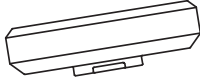
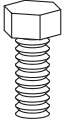


- \* Before assembling, make sure that you lay out and identify all parts listed in the parts list.
- \* All bolts should be hand tightened before use. Never use power tools or excessive force during assembly and tightening of bolts.
- \* Please place the umbrella on a flat protected surface during assembly.

## NOTES FOR USE:

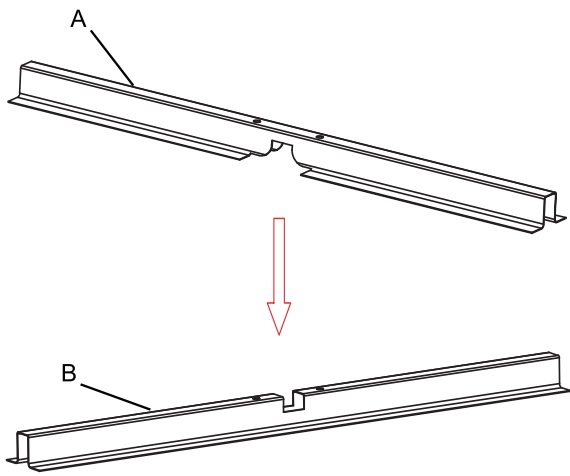
- \* The first time to open the umbrella before you need to first reason under the umbrella cloth umbrella bone
- \* Please can not untie the knot of the umbrella rope

## CARE INSTRUCTIONS:

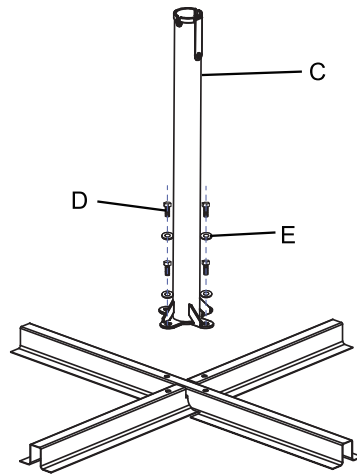
- \* Powder-coated steel is durable and will last for many years of seasonal use. It is recommended to touch up or repair any scratches to the paint surface to prevent rust.
- \* If you see rust, carefully sand the area using fine sandpaper and apply a rust-resistant paint that closely matches the frame color.
- \* Never use any umbrella at a table during windy conditions.

A	1		G	1	
B	1		H	1	
C	1		I	1	
D	4				
E	4				
F	1				

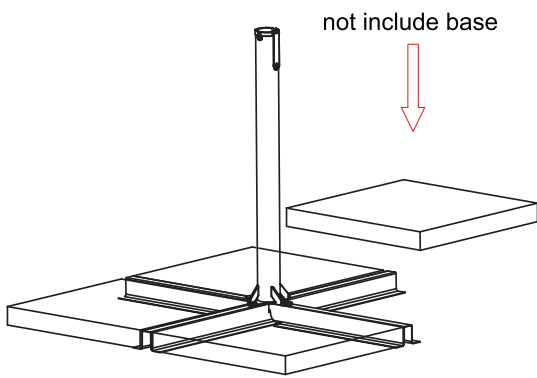
01:



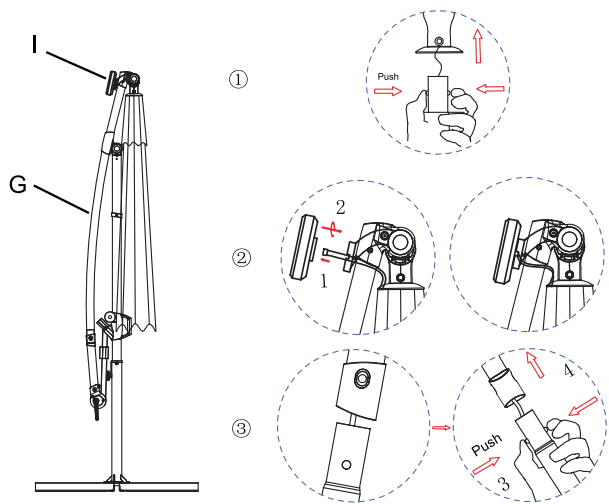
02:



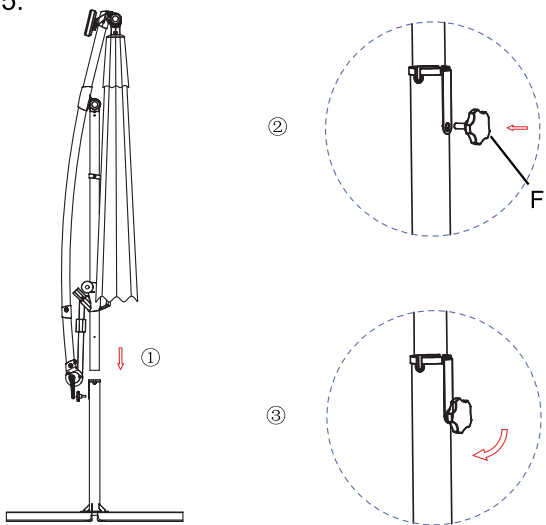
03:



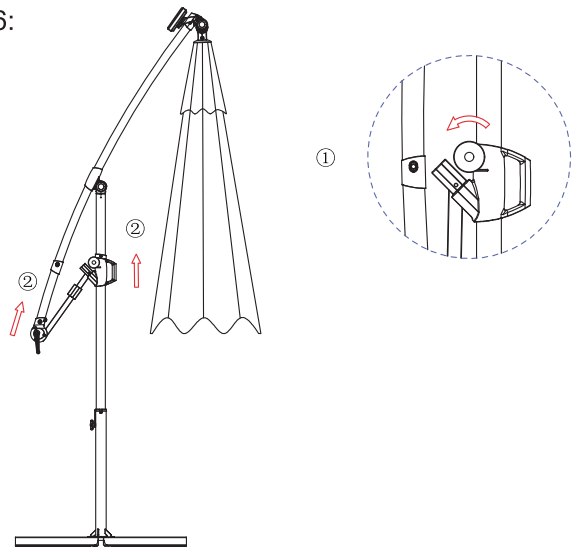
04:

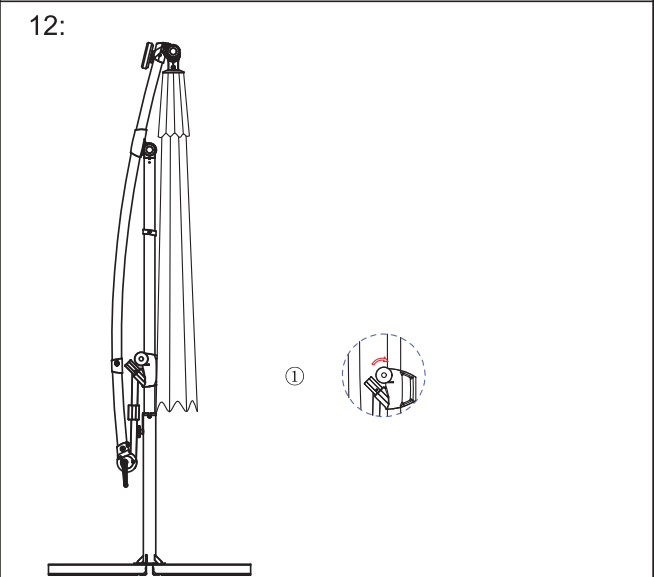
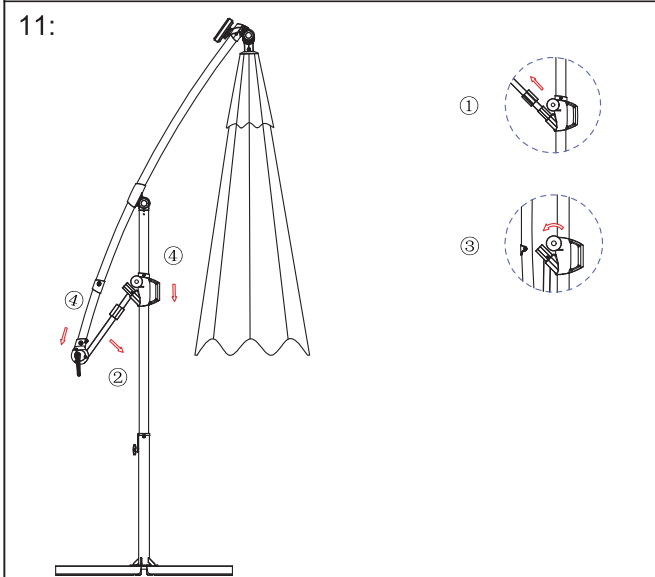
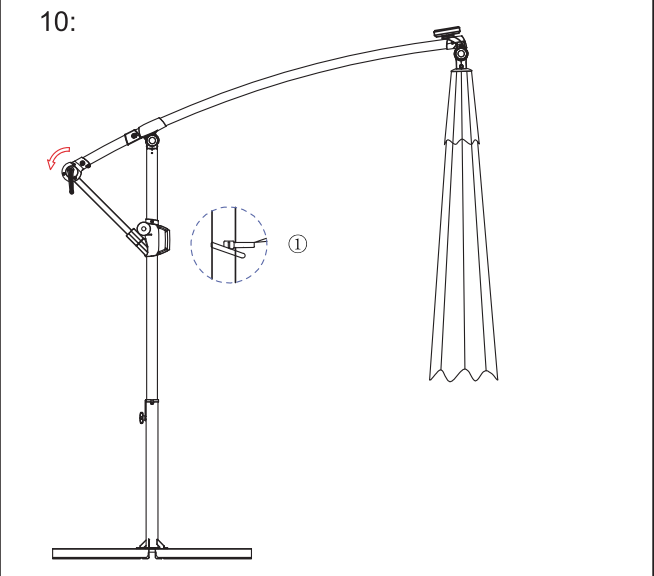
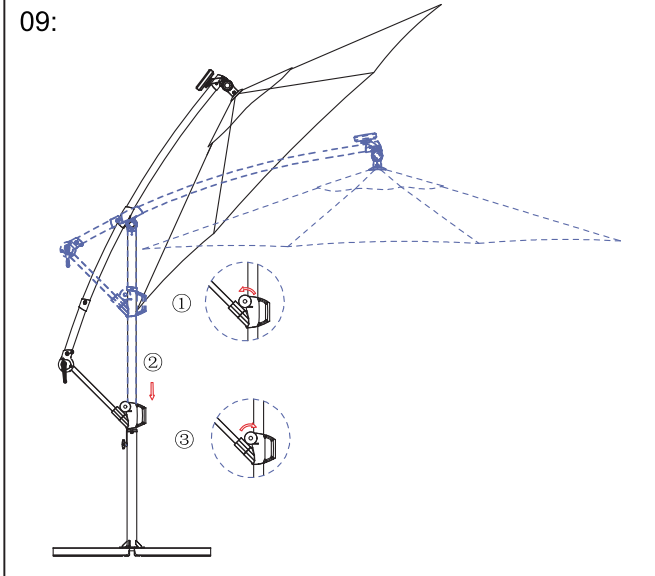
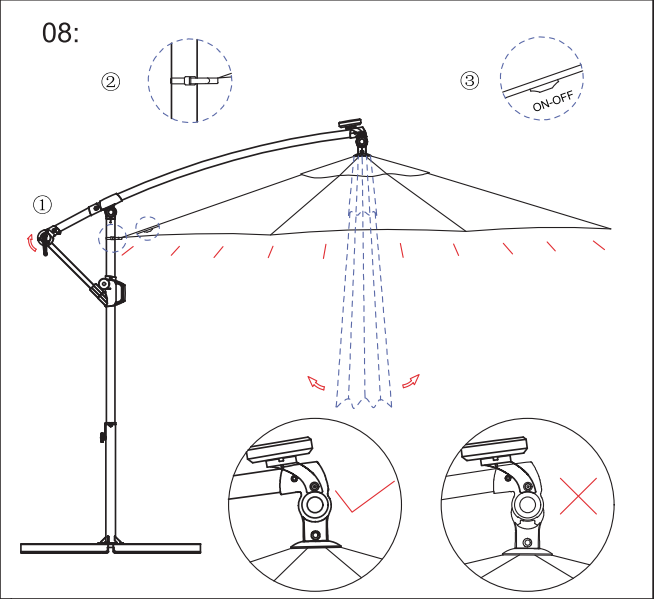
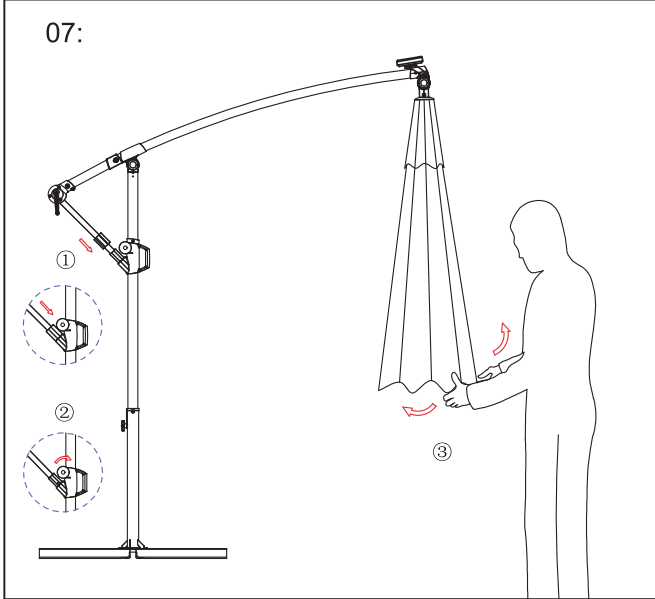


05:



06:







**Call us First !**  
**DO NOT RETURN TO STORE**

For immediate help with assembly or product information

call our number:

(951) 213-4742

Or E-mail:

[Contactus24service@gmail.com](mailto:Contactus24service@gmail.com)

Our staff is ready to provide assistance

M-F 9:00 AM to 5:00 PM PST