

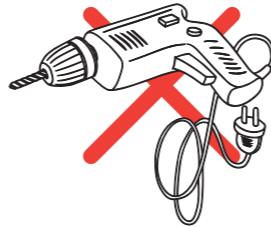
### To deodorize the fabric

leave the chair in a shady outside for 1-2 days.

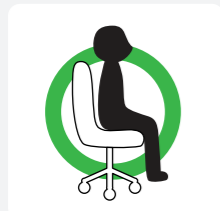


### For longer use

Re-tighten bolts every 6 months by using the enclosed allen-key.  
\*Using an electric drill can damage the chair.  
Please re-tighten bolts manually.



## • Cautions



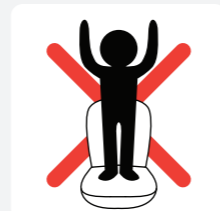
Use this product only for seating **one person** at a time



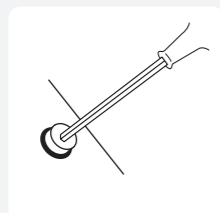
**DO NOT** use the chair unless all bolts, screws and knobs are tight



**DO NOT** use the chair if only components are missing or damaged



**DO NOT** stand on the chair use as a step stool or ladder



Regularly check all bolts, screws, and **knobs are tight**



**Be careful**, some of the part are **heavy** and has **sharped edge**



Failure to follow these warnings may cause **serious injury**

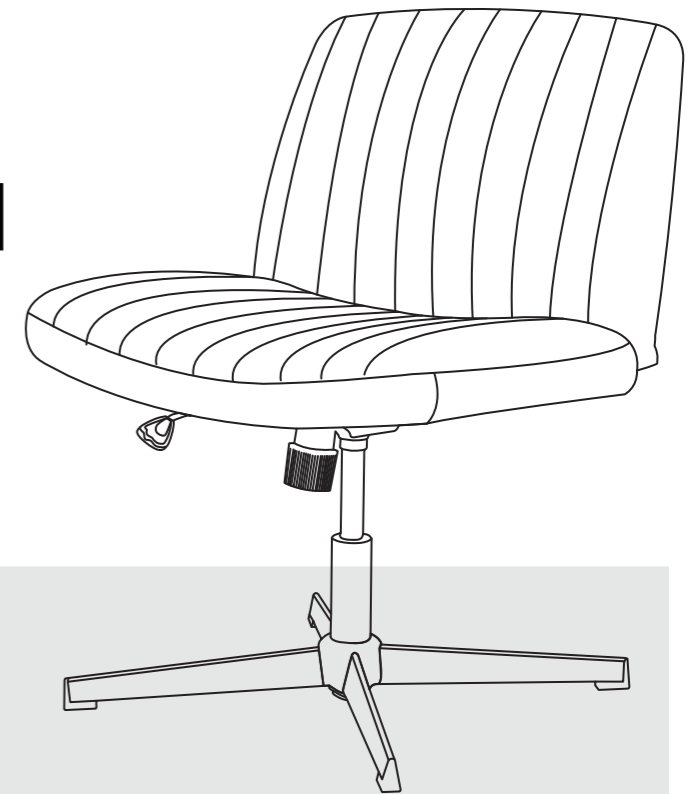
If there are any problems, do not hesitate to e-mail us. [support@eneodirect.com](mailto:support@eneodirect.com)

## Enjoy your new favorite chair

Our goal is to create a perfect customer experience.  
Let us know if you have any feedback.  
Your comment motivates us to become a better team.

[support@eneodirect.com](mailto:support@eneodirect.com)

# COZY ASSEMBLY INSTRUCTION



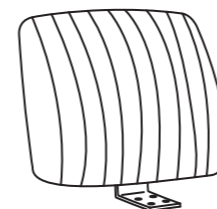
### Contents

- Instructions
- User Manual
- Cautions

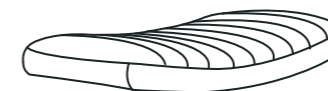
[support@eneodirect.com](mailto:support@eneodirect.com)

※Please make sure all the parts are included.

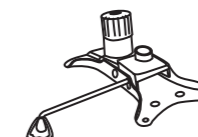
Missing parts? [support@eneodirect.com](mailto:support@eneodirect.com)



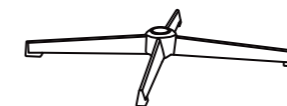
BACKREST X1



SEAT X1



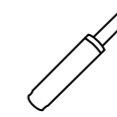
CONTROL MECHANISM X1



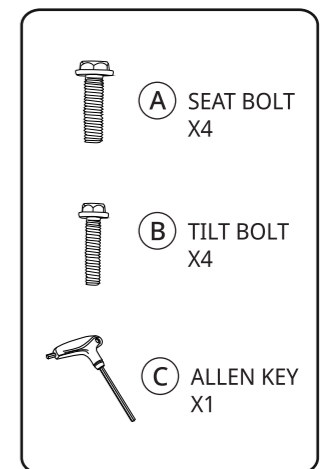
BASE X1



BASE CAP X1



GAS LIFT CYLINDER X1



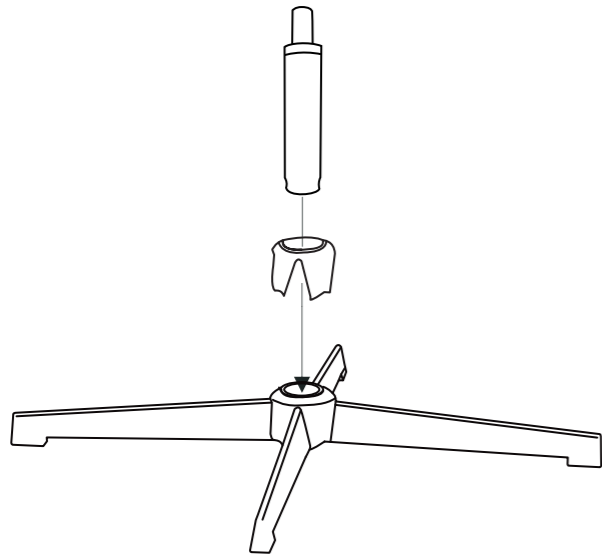
Read the instructions carefully.



Please follow the assembly steps.

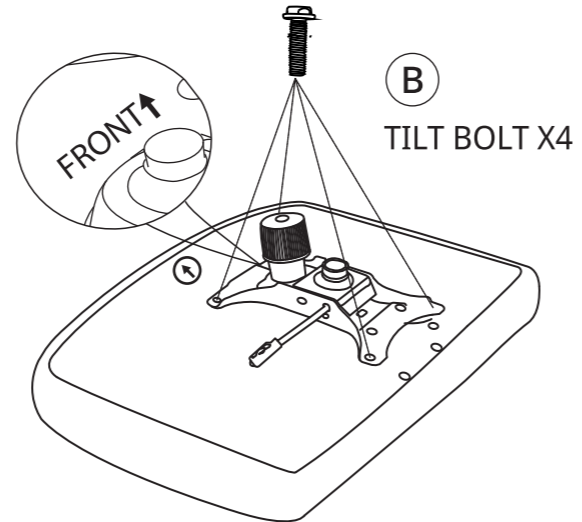


# • Instructions

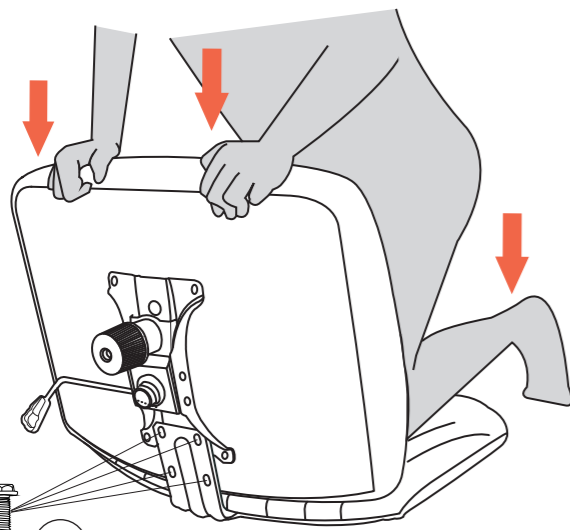


1. Insert the Base Cap and the Gas Lift into the Base.

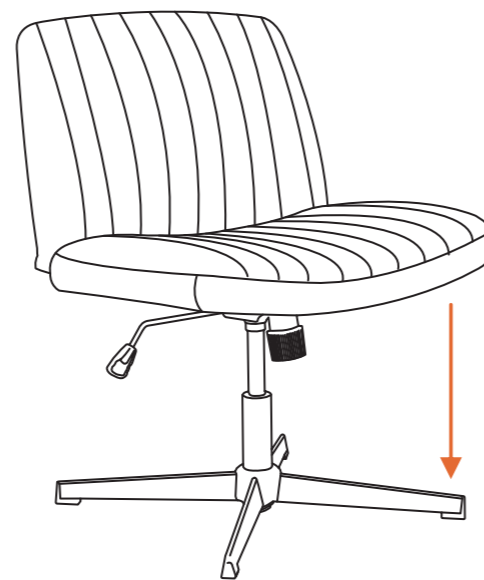
(\*NOTE: Make sure the direction of Mechanism and Seat Cushion are the same.)



2. Using Allen key, attach Mechanism to the Seat with (B) Bolt X4.



3. Align the screw holes on the Seat and Backrest. Using Allen key, secure both completely with (A) Bolt X4.



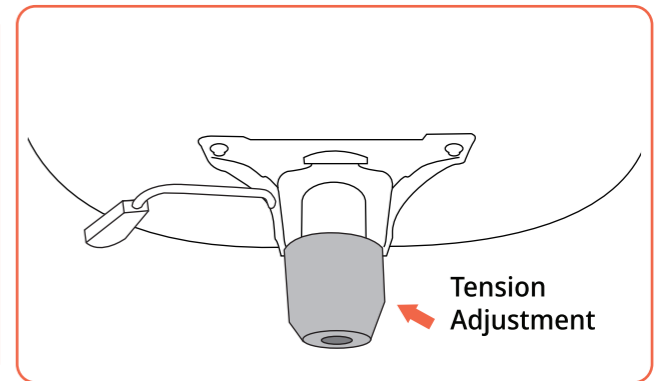
4. Align the hole on Mechanism with Gas Lift, and press the Chair down until it is fully secured.

# • User Manual

Check

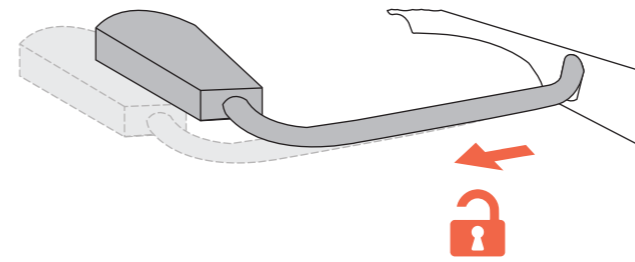


Right hand

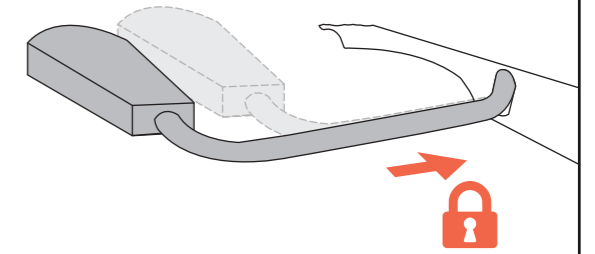


Tension Adjustment

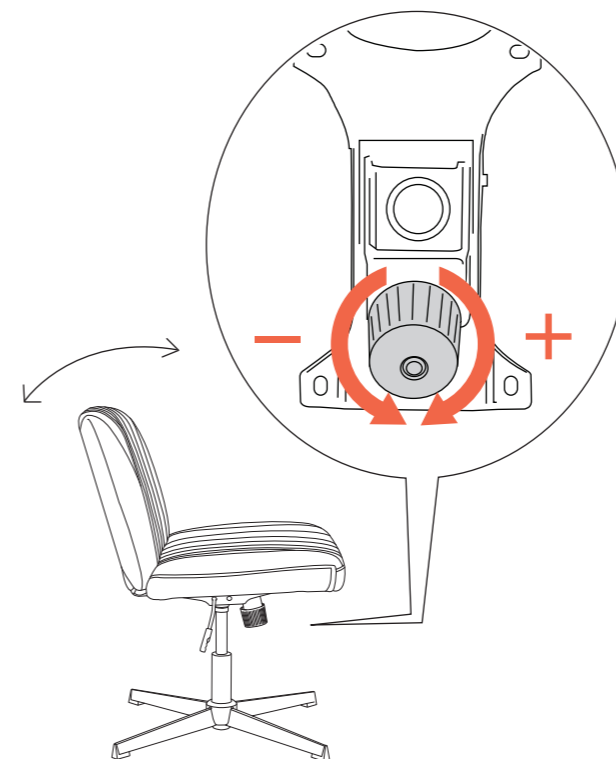
Tilt



Tilt Lock



Tilt Tension



Height

