



MAG Series

LCD Monitor

MAG 275CQDF X24 (3CE9)

User Guide

Contents

Getting Started	3
Package Contents	3
Installing the Monitor Stand	4
Adjusting the Monitor	5
Monitor Overview	6
Connecting the Monitor to PC	8
OSD Setup	9
Navi Key	9
Hot Key	9
OSD Menus	10
AI Navigator	11
Gaming Features	12
Mode	13
Input Source	15
PIP/PBP	16
General	17
Specifications	19
Preset Display Modes	21
Troubleshooting	25
Safety Instructions	26
TÜV Rheinland Certification	28
Regulatory Notices	29

Revision

V1.0, 2026/04

Getting Started

This chapter provides you with the information on hardware setup procedures. While connecting devices, be careful in holding the devices and use a grounded wrist strap to avoid static electricity.

Package Contents

Monitor	MAG 275CQDF X24
Documentation	Quick Start Guide
Accessories	Stand
	Stand Base
	Cable Organizer
	Power Cord
Cables	DisplayPort Cable

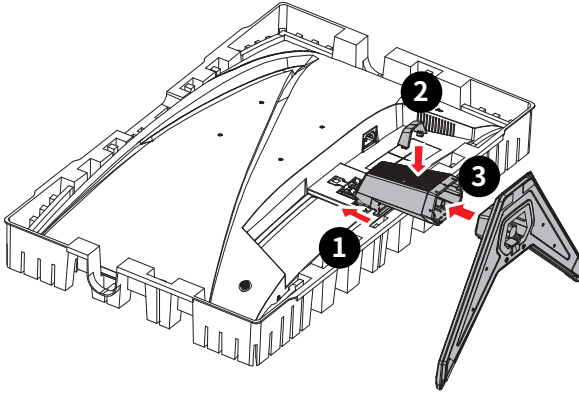


Important

- Contact your place of purchase or local distributor if any of the items is damaged or missing.
- Package contents may vary by country and model.
- The included power cord is exclusively for this monitor and should not be used with other products.

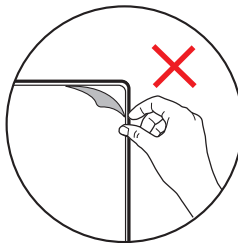
Installing the Monitor Stand

1. Leave the monitor in its protective packaging. Align and gently push the stand bracket towards the monitor groove until it locks in place.
2. Align and gently push the cable organizer towards the stand until it locks in place.
3. Align and gently push the base towards the stand until it locks in place.
4. Make sure the stand assembly is properly installed before setting the monitor upright.



Important

- Place the monitor on a soft, protected surface to avoid scratching the display panel.
- Do not use any sharp objects on the panel.
- This product comes with **NO** protective film to be removed by the user! Any mechanical damages to the product including removal of the polarizing film may affect the warranty!

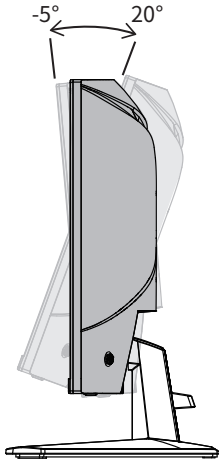


Adjusting the Monitor

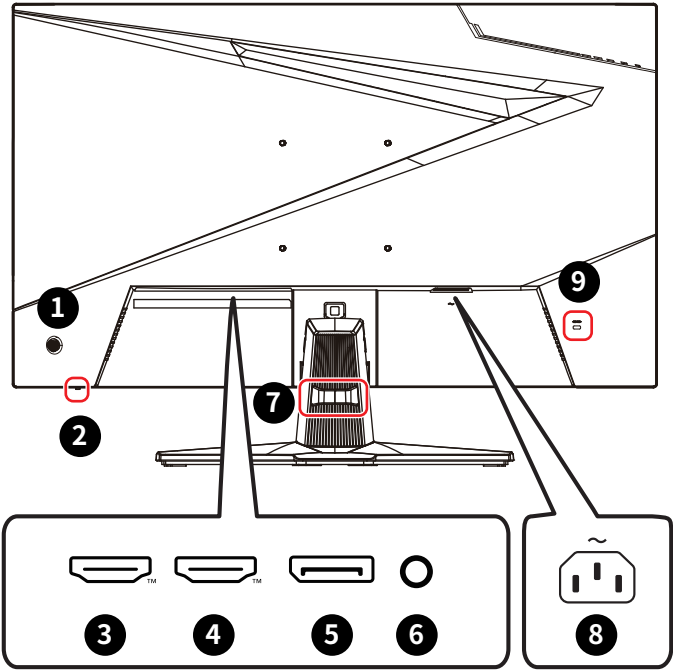
This monitor is designed to maximize your viewing comfort with its adjustment capabilities.







Avoid touching the display panel when adjusting the monitor.



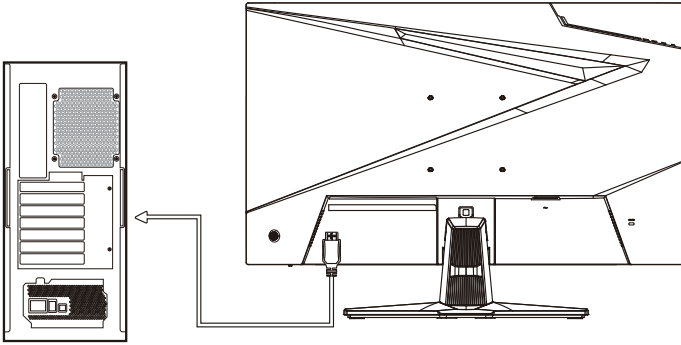
Monitor Overview



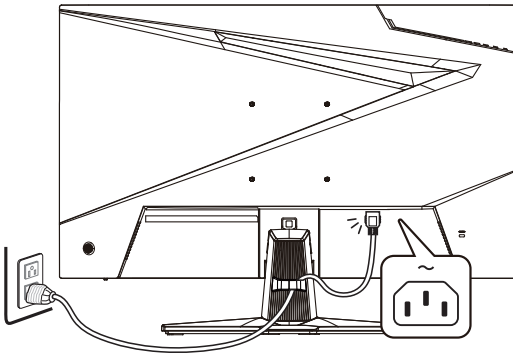
1	Power Button & Navi Key
2	Power LED Lit in white after the monitor is turned on. If no signal input, the LED will turn into orange. Lit in orange when the monitor is in Stand-by mode.
3	<p>HDMI™ Connector  <small>HIGH-DEFINITION MULTIMEDIA INTERFACE</small></p> <p>Supports HDMI™ CEC, 2560x1440@144Hz, 1280x720@288Hz as specified in HDMI™ 2.0b.</p> <p> Important</p> <p><i>To ensure optimal performance and compatibility, please use only HDMI™ cables certified with the official HDMI™ logo when connecting this monitor. For more information, please visit https://www.hdmi.org/resource/cables.</i></p>
4	<p>HDMI™ Connector  <small>HIGH-DEFINITION MULTIMEDIA INTERFACE</small></p> <p>Supports 2560x1440@144Hz, 1280x720@288Hz as specified in HDMI™ 2.0b.</p> <p> Important</p> <p><i>To ensure optimal performance and compatibility, please use only HDMI™ cables certified with the official HDMI™ logo when connecting this monitor. For more information, please visit https://www.hdmi.org/resource/cables.</i></p>
5	DisplayPort Supports 2560x1440@240Hz, 1280x720@400Hz as specified in DisplayPort 1.4a.(HBR3)
6	Headphone Jack
7	Cable Organizer
8	Power Jack
9	Kensington Lock

Connecting the Monitor to PC

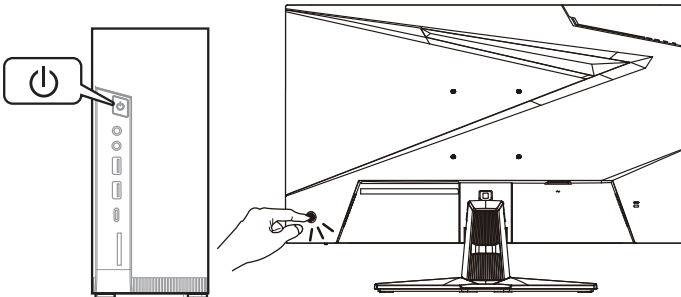
1. Connect the monitor to your computer with the video cable.



2. Plug in the monitor's power cable.



3. Turn on the monitor and your computer.



OSD Setup

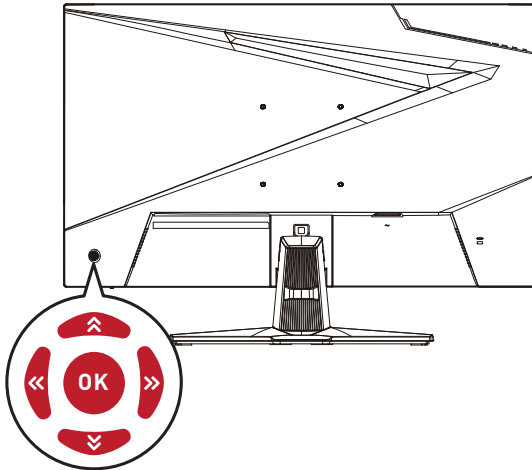
This chapter provides you with essential information on OSD Setup.



All information is subject to change without prior notice.

Navi Key

The monitor comes with a Navi Key, a multi-directional control that helps navigate the On-Screen Display (OSD) menu.



Up/Down/Left/Right:

- selecting function menus and items
- adjusting function values
- entering into/exiting from function menus

Press (OK):

- launching the On-Screen Display (OSD)
- entering submenus
- confirming a selection or setting

Hot Key

- Users may enter into preset function menus by moving the Navi Key up, down, left or right when the OSD menu is inactive.
- Users may customize their own Hot Keys to enter into different function menus.

OSD Menu



Important

The following settings will be grayed out when HDR signals are received:


- AI Vision
- Low Blue Light
- SLMB Sync
- HDCR
- Brightness
- Contrast
- Color Temperature
- Optix Scope
- PIP, PBP
- Gamma
- Six Axis Color
- Saturation
- sRGB, Display P3, Black-White Mode

AI Navigator

Feature	Available Settings	Description													
AI Crosshair	OFF	<ul style="list-style-type: none"> Through AI algorithm, this function enhances the visibility of in-game crosshair. Users can select the color, size and position of the crosshair. 													
	ON														
	Icon		1/2/3/4/5/6/7/8												
	Icon Colors		Adaptive												
			Customize												
			R (0-255)												
			G (0-255)												
	Icon Size		x0.5												
			x1.0												
x1.5															
Position															
Position Reset															
AI Vision	OFF	<ul style="list-style-type: none"> AI Vision enhances image quality by optimizing the contrast of images and background brightness. 													
	Level 1														
	Level 2														
	Level 3														
	Level 4														
	Level 5														
AI Dual Mode	QHD	<ul style="list-style-type: none"> AI Dual Mode Resolution and Refresh Rate: <table border="1"> <thead> <tr> <th>Input</th> <th>2560×1440</th> <th>1280×720</th> </tr> </thead> <tbody> <tr> <td>DP</td> <td>240 Hz</td> <td>400 Hz</td> </tr> <tr> <td>HDMI™</td> <td>144 Hz</td> <td>288 Hz</td> </tr> </tbody> </table> <ul style="list-style-type: none"> Activating AI Dual Mode will affect: <table border="1"> <thead> <tr> <th>Affected Function</th> <th>Function Status</th> </tr> </thead> <tbody> <tr> <td>» PIP, PBP</td> <td>Unable to select</td> </tr> </tbody> </table>	Input	2560×1440	1280×720	DP	240 Hz	400 Hz	HDMI™	144 Hz	288 Hz	Affected Function	Function Status	» PIP, PBP	Unable to select
	Input		2560×1440	1280×720											
DP	240 Hz	400 Hz													
HDMI™	144 Hz	288 Hz													
Affected Function	Function Status														
» PIP, PBP	Unable to select														
HD															

Gaming Features

Feature	Available Settings		Description									
SLMB Sync	OFF		<ul style="list-style-type: none"> Activating SLMB Sync will affect: <table border="1" data-bbox="583 248 934 432"> <thead> <tr> <th>Affected Function</th> <th>Function Status</th> </tr> </thead> <tbody> <tr> <td>» Brightness</td> <td>Unable to select</td> </tr> <tr> <td>» HDCR</td> <td rowspan="4">Set to OFF</td> </tr> <tr> <td>» PIP/PBP</td> </tr> <tr> <td>» Optix Scope</td> </tr> <tr> <td>» AI Vision</td> </tr> </tbody> </table> 	Affected Function	Function Status	» Brightness	Unable to select	» HDCR	Set to OFF	» PIP/PBP	» Optix Scope	» AI Vision
	Affected Function	Function Status										
	» Brightness	Unable to select										
	» HDCR	Set to OFF										
» PIP/PBP												
» Optix Scope												
» AI Vision												
Level 1												
Level 2												
Level 3												
Response Time	Native		<ul style="list-style-type: none"> Setting to Level 3 will reach the shortest response time and help improve blurred images when playing very fast games. 									
	Level 1											
	Level 2											
	Level 3											
Optix Scope	OFF		<ul style="list-style-type: none"> The center point will zoom in when Optix Scope is enabled. AI Crosshair and Optix Scope can be enabled at the same time. Activating Optix Scope will affect: <table border="1" data-bbox="583 738 934 858"> <thead> <tr> <th>Affected Function</th> <th>Function Status</th> </tr> </thead> <tbody> <tr> <td>» Adaptive-Sync</td> <td rowspan="3">Set to OFF</td> </tr> <tr> <td>» SLMB Sync</td> </tr> <tr> <td>» PIP/PBP</td> </tr> </tbody> </table> 	Affected Function	Function Status	» Adaptive-Sync	Set to OFF	» SLMB Sync	» PIP/PBP			
	Affected Function	Function Status										
	» Adaptive-Sync	Set to OFF										
	» SLMB Sync											
	» PIP/PBP											
ON												
Scope Ratio	x1.5											
	x2.0											
	x3											
HDMI™ Console Mode	OFF		<ul style="list-style-type: none"> The Console mode offers broader compatibility with more console devices. 									
	ON											
Adaptive-Sync	OFF		<ul style="list-style-type: none"> Adaptive-Sync prevents screen tearing. Activating Adaptive-Sync will affect: <table border="1" data-bbox="583 1010 934 1129"> <thead> <tr> <th>Affected Function</th> <th>Function Status</th> </tr> </thead> <tbody> <tr> <td>» Optix Scope</td> <td rowspan="3">Set to OFF</td> </tr> <tr> <td>» PIP/PBP</td> </tr> <tr> <td>» Screen Size 1:1</td> </tr> </tbody> </table> 	Affected Function	Function Status	» Optix Scope	Set to OFF	» PIP/PBP	» Screen Size 1:1			
	Affected Function	Function Status										
» Optix Scope	Set to OFF											
» PIP/PBP												
» Screen Size 1:1												
ON												

Feature	Available Settings	Description	
Timer	OFF		<ul style="list-style-type: none"> After setting the time, press the OK Button to activate the timer. Users have to manually restore their preset Timer after any AC power loss and reconnection.
	ON		
	Time Adjust	15:00	
		30:00	
		45:00	
		60:00	
	Show On	Left Top	
Right Top			
Left Bottom			
Right Bottom			
Customize			
Refresh Rate	OFF		<ul style="list-style-type: none"> Location is adjustable in OSD Menu. Press the OK Button to confirm and apply your Refresh Rate Location. This monitor follows and works at the Operating System's preset Screen Refresh Rate.
	ON		
	Show On	Left Top	
		Right Top	
		Left Bottom	
		Right Bottom	
		Customize	
Screen Size	Auto		<ul style="list-style-type: none"> Users can adjust Screen Size in any mode, any resolution and any screen refresh rate. <p> Important</p> <p><i>Screen Size 1:1 refers to displaying content at its original resolution. This option is disabled when the monitor is set to its native resolution.</i></p>
	4:3 (Forced)		
	16:9 (Forced)		
	1:1 (by pixel)		

Mode

Mode	
» Eco	» RPG
» User	» Black-White
» FPS	» sRGB
» Racing	» Display P3
» RTS	

- Use Up or Down Button to select and preview mode effects.
- Press the OK Button to confirm and apply your mode type.
- The default setting "Eco" mode meets the requirements of TUV Rheinland's "Low Blue Light" standard.

- Activating FPS will affect:

Affected Function	Function Status
» Saturation	Unable to select

- Activating Black-White will affect:

Affected Function	Function Status
» Saturation	Unable to select
» Six-Axis Color	

- Activating sRGB and Display P3 will affect:

Affected Function	Function Status
» Contrast	Unable to select
» Saturation	
» Six-Axis Color	
» Color Temperature: Customize	
» Low Blue Light	

Feature	Available Settings	Description
Brightness	0-100	<ul style="list-style-type: none"> • Properly adjust Brightness according to the surrounding lighting.
Contrast	0-100	<ul style="list-style-type: none"> • Properly adjust Contrast to relax your eyes.
Sharpness	0-5	<ul style="list-style-type: none"> • Sharpness improves clarity and details of images.
Image Enhancement	OFF	<ul style="list-style-type: none"> • Image Enhancement enhances image edges to improve their acutance.
	Level 1	
	Level 2	
	Level 3	
	Level 4	
	Level 5	
Color Temperature	5000K	<ul style="list-style-type: none"> • This feature adjusts the overall color tone of the display. • Users can fine-tune Color Temperature in Customize mode for precise color calibration.
	6500K	
	7500K	
	9300K	
	10000K	
	Customize	
	R (0-100)	
	G (0-100)	
B (0-100)		
Low Blue Light	OFF	<ul style="list-style-type: none"> • Low Blue Light protects your eyes against blue light. When enabled, Low Blue Light adjusts the screen color temperature to a more yellow glow.
	ON	

Feature	Available Settings	Description							
HDCR	OFF	<ul style="list-style-type: none"> HDCR enhances image quality by increasing the contrast of images. Activating HDCR will affect: <table border="1" data-bbox="519 252 884 376"> <thead> <tr> <th>Affected Function</th> <th>Function Status</th> </tr> </thead> <tbody> <tr> <td>» Brightness</td> <td>Unable to select</td> </tr> <tr> <td>» SLMB Sync</td> <td rowspan="2">Set to OFF</td> </tr> <tr> <td>» AI Vision</td> </tr> </tbody> </table> 	Affected Function	Function Status	» Brightness	Unable to select	» SLMB Sync	Set to OFF	» AI Vision
	Affected Function		Function Status						
» Brightness	Unable to select								
» SLMB Sync	Set to OFF								
» AI Vision									
	ON								
Saturation	0-100	<ul style="list-style-type: none"> Users can fine-tune the setting values to adjust display saturation. 							
Six-Axis Color	R (0-100)	<ul style="list-style-type: none"> This feature allows users to independently adjust the intensity and saturation of six primary and secondary colors. 							
	G (0-100)								
	B (0-100)								
	C (0-100)								
	M (0-100)								
	Y (0-100)								
Gamma	Native	<ul style="list-style-type: none"> This feature adjusts the midtone brightness of the display without affecting shadows and highlights. A higher gamma darkens midtones, while a lower gamma brightens them. 							
	1.8								
	2.0								
	2.2								
	2.4								
	2.6								

Input Source

Feature	Available Settings	Description
HDMI™ 1		<ul style="list-style-type: none"> Users can choose their preferred input source.
HDMI™ 2		
DP		
Auto Scan	OFF	<ul style="list-style-type: none"> Users can use the Navi Key to select Input Source at below status: <ul style="list-style-type: none"> While Auto Scan is set to OFF with the monitor at power saving mode; While No Signal message box is shown on the monitor.
	ON	

PIP/PBP

Feature	Available Settings	Description																		
PIP	OFF	<ul style="list-style-type: none"> PIP (Picture in Picture) allows users to simultaneously display multiple video sources on one screen. One program is displayed on the full screen at the same time as one or more other programs are displayed in inset windows. PBP (Picture by Picture) is a similar feature that displays two input sources side-by-side on the screen. Display Swap allows users to switch between primary and secondary input sources. If there is only one signal input, the Display Swap and Audio Swap will be grayed out. Activating PIP/PBP will affect: <table border="1" data-bbox="545 544 918 863"> <thead> <tr> <th>Affected Function</th> <th>Function Status</th> </tr> </thead> <tbody> <tr> <td>» Adaptive-Sync</td> <td>Set to OFF</td> </tr> <tr> <td>» Optix Scope</td> <td>Set to Native & unable to select</td> </tr> <tr> <td>» Response Time</td> <td>Set to OFF & unable to select</td> </tr> <tr> <td>» HDMI™ CEC</td> <td>Set to OFF & unable to select</td> </tr> <tr> <td>» AI Dual Mode</td> <td>Unable to select</td> </tr> <tr> <td>» HDMI™ Console Mode</td> <td>Unable to select</td> </tr> <tr> <td>» PIP: Screen Size 1:1</td> <td>Set to Auto & unable to select</td> </tr> <tr> <td>» PBP: Screen Size</td> <td>Set to Auto & unable to select</td> </tr> </tbody> </table> 	Affected Function	Function Status	» Adaptive-Sync	Set to OFF	» Optix Scope	Set to Native & unable to select	» Response Time	Set to OFF & unable to select	» HDMI™ CEC	Set to OFF & unable to select	» AI Dual Mode	Unable to select	» HDMI™ Console Mode	Unable to select	» PIP: Screen Size 1:1	Set to Auto & unable to select	» PBP: Screen Size	Set to Auto & unable to select
	Affected Function		Function Status																	
	» Adaptive-Sync		Set to OFF																	
	» Optix Scope		Set to Native & unable to select																	
	» Response Time		Set to OFF & unable to select																	
	» HDMI™ CEC		Set to OFF & unable to select																	
	» AI Dual Mode		Unable to select																	
	» HDMI™ Console Mode		Unable to select																	
	» PIP: Screen Size 1:1		Set to Auto & unable to select																	
	» PBP: Screen Size		Set to Auto & unable to select																	
	ON																			
	Sub Input		HDMI™ 1																	
			HDMI™ 2																	
			DP																	
	Sub Size		Small																	
Medium																				
Large																				
Sub Ratio	Auto																			
	Full Screen																			
Show On	Left Top																			
	Right Top																			
	Left Bottom																			
	Right Bottom																			
	Customize																			
Display Swap																				
Audio Swap																				
PBP	OFF																			
	ON																			
	PBP Layout	1:1																		
		Customize																		
	Sub Input	HDMI™ 1																		
		HDMI™ 2																		
		DP																		
	Display Swap																			
	Audio Swap																			

General

Feature	Available Settings		Description
Language	繁體中文		<ul style="list-style-type: none"> Users have to press the OK Button to confirm and apply the Language setting. Language is an independent setting. Users' own language setting will override the factory default. When users set Reset to Yes, Language will not be changed.
	English		
	Français		
	Deutsch		
	Italiano		
	Español		
	한국어		
	日本語		
	Русский		
	Português		
	简体中文		
	Bahasa Indonesia		
	Türkçe		
(More languages coming soon)			
Power LED	OFF		<ul style="list-style-type: none"> Users can toggle the Power LED on/off.
	ON		
Audio	Volume		<ul style="list-style-type: none"> Users can adjust Audio in any mode.
	Mute		
OSD Menu	OSD Position	Adjust	<ul style="list-style-type: none"> This feature adjusts the location of the OSD menu on the screen for user convenience.
		Position Reset	
	OSD Transparency	0~5	<ul style="list-style-type: none"> Users can adjust Transparency in any mode.
	OSD Time Out	5~30s	<ul style="list-style-type: none"> Users can adjust OSD Time Out in any mode.
Ultra Low Power	OFF		<ul style="list-style-type: none"> This setting reduces power consumption for more energy-efficient operation.
	ON		
HDMI™ CEC	OFF		<ul style="list-style-type: none"> HDMI™ CEC (Consumer Electronics Control) supports Sony PlayStation®, Nintendo® Switch™, Xbox Series X S consoles and various audio-visual devices that are CEC-capable. If HDMI™ CEC is set to ON: <ul style="list-style-type: none"> The monitor will automatically power on when the CEC device is turned on. The CEC device will enter power saving mode when the monitor is turned off. When Sony PlayStation®, Nintendo® Switch™, or Xbox Series X S console is connected, Mode will be automatically set to the default mode and can be adjusted to users' preferred mode later.
	ON		

Feature	Available Settings	Description	
Navi Key	Up Down Left Right	OFF	<ul style="list-style-type: none"> All Navi Key items can be adjusted via OSD Menus.
		Brightness	
		Mode	
		Input Source	
		AI Crosshair	
		AI Vision	
		Timer	
		Refresh Rate	
		PIP/PBP	
		Optix Scope	
		Info. On Screen	
		Audio Volume	
		AI Dual Mode	
Info. On Screen	OFF	<ul style="list-style-type: none"> The information of the monitor status will be shown in the middle of the screen. 	
	ON		
Service Info.	FW Version	<ul style="list-style-type: none"> View product service details, such as firmware version and serial number, in this setting. 	
	Serial Number		
Reset All	Yes	<ul style="list-style-type: none"> Users can Reset and restore settings to original OSD Default in any mode. 	
	No		

Specifications*

Monitor	MAG 275CQDF X24	
Size	27 inch	
Curvature	Curve 1500R	
Panel Type	Rapid VA	
Resolution	2560 x 1440 (WQHD)	
Aspect Ratio	16:9	
Brightness	Typical SDR: 300 nits	
Contrast Ratio	5000:1	
Refresh Rate	<ul style="list-style-type: none"> • QHD: 240 Hz • HD: 400 Hz 	
Response Time	<ul style="list-style-type: none"> • MPRT: 1ms • GtG: 0.5ms (Min.) 	
I/O	<ul style="list-style-type: none"> • 2 x HDMI™ Connector • 1 x DisplayPort • 1 x Headphone Jack 	
View Angles	178° (H) / 178° (V)	
DCI-P3**/ sRGB	96% / 131%	
Surface Treatment	Anti-glare	
Display Colors	1.07B, 10 bits (8 bits + FRC)	
Monitor Power Options	100-240 V~, 50/60 Hz 1.5 A	
Power Consumption (Typical)	Power On < 57 W Standby < 0.5 W Power Off < 0.3 W	
Adjustment (Tilt)	-5° ~ 20°	
Kensington Lock	Yes	
VESA Mounting	<ul style="list-style-type: none"> • Plate Type: 100 x 100 mm • Screw Type: M4 x 10 mm 	
Dimension (W x D x H)	611.5 x 249.7 x 439.1 mm	
Weight	Net	4.7 kg
	Gross	7.1 kg

Monitor	MAG 275CQDF X24
Operating Environment	<ul style="list-style-type: none"> • Temperature: 0°C to 40°C • Humidity: 20% to 90%, non-condensing • Altitude: 0 ~ 5000m
Storage Environment	<ul style="list-style-type: none"> • Temperature: -20°C to 60°C • Humidity: 10% to 90%, non-condensing

* Some technical specifications of the device may be subject to change by the manufacturer. Please verify the specifications with the seller or the manufacturer's representative.

** Based on CIE1976 test standards.

Preset Display Modes



- All information is subject to change without prior notice.
- HDMI™ VRR (Variable Refresh Rate) synchronizes with Adaptive-Sync (ON/ OFF). For VRR ON/OFF status, please check Adaptive-Sync.

Standard Mode: HDMI™ Console Mode OFF

Standard	Resolution		HDMI™	DP
VGA	640x480	@60Hz	V	V
		@67Hz	V	V
		@72Hz	V	V
		@75Hz	V	V
SVGA	800x600	@56Hz	V	V
		@60Hz	V	V
		@72Hz	V	V
		@75Hz	V	V
XGA	1024x768	@60Hz	V	V
		@70Hz	V	V
		@75Hz	V	V
SXGA	1280x1024	@60Hz	V	V
		@75Hz	V	V
WXGA+	1440x900	@60Hz	V	V
WSXGA+	1680x1050	@60Hz	V	V
Full HD	1920x1080	@60Hz	V	V
QHD	2560x1440	@60Hz	V	V
		@120Hz	V	V
		@144Hz	V (8-bit)	
		@240Hz		V (8-bit)
Video Timing Resolution	480p		V	V
	576p		V	V
	720p		V	V
	720p@120Hz		V	V
	1080p	@60Hz	V	V
@120Hz		V	V	
HDMI™ VRR			V	

Standard Mode: HDMI™ Console Mode ON

Standard	Resolution		HDMI™	DP
VGA	640x480	@60Hz	V	V
		@67Hz	V	V
		@72Hz	V	V
		@75Hz	V	V
SVGA	800x600	@56Hz	V	V
		@60Hz	V	V
		@72Hz	V	V
		@75Hz	V	V
XGA	1024x768	@60Hz	V	V
		@70Hz	V	V
		@75Hz	V	V
SXGA	1280x1024	@60Hz	V	V
		@75Hz	V	V
WXGA+	1440x900	@60Hz	V	V
WSXGA+	1680x1050	@60Hz	V	V
Full HD	1920x1080	@60Hz	V	V
QHD	2560x1440	@60Hz	V	V
		@120Hz	V	V
		@144Hz	V (8-bit)	
		@240Hz		V (8-bit)
Video Timing Resolution	480p		V	V
	576p		V	V
	720p		V	V
	720p@120Hz		V	V
	1080p	@60Hz	V	V
		@120Hz	V	V
	2160p	@30Hz	V	
@50Hz		V		
@60Hz		V		
HDMI™ VRR			V	

Dual Mode: Enabled at 2560x1440@60Hz

Standard	Resolution		HDMI™	DP
HD	1280x720	@120Hz	V	V
HDMI™ VRR			V	

Dual Mode: Enabled at 2560x1440@120Hz

Standard	Resolution		HDMI™	DP
HD	1280x720	@240Hz	V (8-bit)	V
HDMI™ VRR			V	

Dual Mode: DP Enabled at 2560x1440@240Hz

Standard	Resolution		HDMI™	DP
HD	1280x720	@400Hz		V (8-bit)
HDMI™ VRR			V	

Dual Mode: HDMI™ Enabled at 2560x1440@144Hz

Standard	Resolution		HDMI™	DP
HD	1280x720	@288Hz	V	
HDMI™ VRR			V	

Dual Mode: Enabled at Other Timings

Standard	Resolution		HDMI™	DP
HD	1280x720	@60Hz	V	V
		@120Hz	V	V
		@240Hz	V	V
		@288Hz	V (8-bit)	
		@400Hz		V (8-bit)
HDMI™ VRR			V	

PIP Mode (Not Support HDR)

Standard	Resolution		HDMI™	DP
VGA	640x480	@60Hz	V	V
		@67Hz	V	V
		@72Hz	V	V
		@75Hz	V	V
SVGA	800x600	@56Hz	V	V
		@60Hz	V	V
		@72Hz	V	V
		@75Hz	V	V

Standard	Resolution		HDMI™	DP
XGA	1024x768	@60Hz	V	V
		@70Hz	V	V
		@75Hz	V	V
SXGA	1280x1024	@60Hz	V	V
		@75Hz	V	V
WXGA+	1440x900	@60Hz	V	V
WSXGA+	1680x1050	@60Hz	V	V
FHD	1920x1080	@60Hz	V	V
QHD	2560x1440	@60Hz	V	V
Video Timing Resolution	480p		V	V
	576p		V	V
	720p		V	V
	1080p	@60Hz	V	V

PBP 1: 1/Customize (Not Support HDR)

Standard	Resolution		HDMI™	DP
VGA	640x480	@60Hz	V	V
		@67Hz	V	V
		@72Hz	V	V
		@75Hz	V	V
SVGA	800x600	@56Hz	V	V
		@60Hz	V	V
		@72Hz	V	V
		@75Hz	V	V
XGA	1024x768	@60Hz	V	V
		@70Hz	V	V
		@75Hz	V	V
SXGA	1280x1024	@60Hz	V	V
		@75Hz	V	V
WXGA+	1440x900	@60Hz	V	V
WSXGA+	1680x1050	@60Hz	V	V
Video Timing Resolution	480p		V	V
	576p		V	V
	720p		V	V
	1080p	@60Hz	V	V
PBP Full Screen Timing	1280x1440	@60Hz	V	V

Troubleshooting

The power LED is off.

- Press the monitor power button again.
- Check if the monitor power cable is properly connected.

No image.

- Check if the computer graphics card is properly installed.
- Check if the computer and monitor are connected to electrical outlets and are turned on.
- Check if the monitor signal cable is properly connected.
- The computer may be in Standby mode. Press any key to activate the monitor.

The screen image is not properly sized or centered.

- Refer to Preset Display Modes to set the computer to a setting suitable for the monitor to display.

No Plug & Play.

- Check if the monitor power cable is properly connected.
- Check if the monitor signal cable is properly connected.
- Check if the computer and graphics card are Plug & Play compatible.

The icons, font or screen are fuzzy, blurry or have color problems.

- Avoid using any video extension cables.
- Adjust brightness and contrast.
- Adjust RGB color or tune color temperature.
- Check if the monitor signal cable is properly connected.
- Check for bent pins on the signal cable connector.

The monitor starts flickering or shows waves.

- Change the refresh rate to match the capabilities of your monitor.
- Update your graphics card drivers.
- Keep the monitor away from electrical devices that may cause electromagnetic interference (EMI).

Safety Instructions

- Read the safety instructions carefully and thoroughly.
- All cautions and warnings on the device or User Guide should be noted.
- Refer servicing to qualified personnel only.

Power

- Make sure that the power voltage is within its safety range and has been adjusted properly to the value of 100~240V before connecting the device to the power outlet.
- If the power cord comes with a 3-pin plug, do not disable the protective earth pin from the plug. The device must be connected to an earthed mains socket-outlet.
- Please confirm the power distribution system in the installation site shall provide the circuit breaker rated 120/240V, 20A (maximum).
- Always disconnect the power cord or switch the wall socket off if the device would be left unused for a certain time to achieve zero energy consumption.
- Place the power cord in a way that people are unlikely to step on it. Do not place anything on the power cord.
- If this device comes with an adapter, use only the MSI provided AC adapter approved for use with this device.

Environment

- To reduce the possibility of heat-related injuries or of overheating the device, do not place the device on a soft, unsteady surface or obstruct its air ventilators.
- Use this device only on a hard, flat and steady surface.
- To prevent the device from tipping over, secure the device to a desk, wall or fixed object with an anti-tip fastener that helps to properly support the device and keep it safe in place.
- To prevent fire or shock hazard, keep this device away from humidity and high temperature.
- Do not leave the device in an unconditioned environment with a storage temperature above 60°C or below -20°C, which may damage the device.
- The maximum operating temperature is around 40°C.
- When cleaning the device, be sure to remove the power plug. Use a piece of soft cloth rather than industrial chemical to clean the device. Never pour any liquid into the opening; that could damage the device or cause electric shock.
- Always keep strong magnetic or electrical objects away from the device.

- If any of the following situations arises, get the device checked by service personnel:
 - The power cord or plug is damaged.
 - Liquid has penetrated into the device.
 - The device has been exposed to moisture.
 - The device does not work well or you can not get it working according to the User Guide.
 - The device has dropped and damaged.
 - The device has obvious sign of breakage.

TÜV Rheinland Certification

TÜV Rheinland Low Blue Light Certification

Blue light has been shown to cause eye fatigue and discomfort. MSI now offers monitors with TÜV Rheinland Low Blue Light certification to ensure users' eye comfort and well-being. Please follow the instructions below to reduce the symptoms from extended exposure to the screen and blue light.



Low Blue Light
(Software
Solution)
Flicker Free

www.tuv.com

- Place the screen 20 – 28 inches (50 – 70 cm) away from your eyes and a little below eye level.
- Consciously blinking the eyes every now and then will help to reduce eye strain after extended screen time.
- Take breaks for 20 minutes every 2 hours.
- Look away from the screen and gaze at a distant object for at least 20 seconds during breaks.
- Make stretches to relieve body fatigue or pain during breaks.
- Turn on the optional Low Blue Light function.

TÜV Rheinland Flicker Free Certification

- TÜV Rheinland has tested this product to ascertain whether the display produces visible and invisible flicker for the human eye and therefore strains the eyes of users.
- TÜV Rheinland has defined a catalogue of tests, which sets out minimum standards at various frequency ranges. The test catalogue is based on internationally applicable standards or standards common within the industry and exceeds these requirements.
- The product has been tested in the laboratory according to these criteria.
- The keyword “Flicker Free” confirms that the device has no visible and invisible flicker defined in this standard within the range of 0 - 3000 Hz under various brightness settings.
- The display will not support Flicker Free when Anti Motion Blur/MPRT is enabled. (The availability of Anti Motion Blur/MPRT varies by products.)

Regulatory Notices

CE Conformity

This product has been tested and found to comply with the harmonized standards for Information Technology Equipment published under Directives of Official Journal of the European Union.



FCC-B Radio Frequency Interference Statement

This equipment has been tested and found to comply with the limits for a Class B digital device, pursuant to Part 15 of the FCC Rules. These limits are designed to provide reasonable protection against harmful interference in a residential installation. This equipment generates, uses and can radiate radio frequency energy and, if not installed and used in accordance with the instruction manual, may cause harmful interference to radio communications. However, there is no guarantee that interference will not occur in a particular installation. If this equipment does cause harmful interference to radio or television reception, which can be determined by turning the equipment off and on, the user is encouraged to try to correct the interference by one or more of the measures listed below:



- Reorient or relocate the receiving antenna.
- Increase the separation between the equipment and receiver.
- Connect the equipment into an outlet on a circuit different from that to which the receiver is connected.
- Consult the dealer or an experienced radio/television technician for help.

Notice 1

The changes or modifications not expressly approved by the party responsible for compliance could void the user's authority to operate the equipment.

Notice 2

Shielded interface cables and AC power cord, if any, must be used in order to comply with the emission limits.

This device complies with Part 15 of the FCC Rules. Operation is subject to the following two conditions:

1. This device may not cause harmful interference, and
2. This device must accept any interference received, including interference that may cause undesired operation.

MSI Computer Corp.

901 Canada Court, City of Industry, CA 91748, USA

(626) 913-0828

www.msi.com

WEEE Statement

European Union: This symbol on the product indicates that this product cannot be discarded as municipal waste. Instead, it is your responsibility to dispose of your waste electrical and electronic equipment by handing it over to a designated collection point for recycling. For more information about where you can drop off your waste equipment for recycling, please contact your local city office, your household waste disposal service or the shop where you purchased the product.



Chemical Substances Information

In compliance with chemical substances regulations, such as the EU REACH Regulation (Regulation EC No. 1907/2006 of the European Parliament and the Council), MSI provides the information of chemical substances in products at:
<https://csr.msi.com/global/index>

RoHS Statement

Japan JIS C 0950 Material Declaration

A Japanese regulatory requirement, defined by specification JIS C 0950, mandates that manufacturers provide material declarations for certain categories of electronic products offered for sale after July 1, 2006.

<https://csr.msi.com/global/Japan-JIS-C-0950-Material-Declarations>

India RoHS

This product complies with the “India E-waste (Management and Handling) Rule 2016” and prohibits use of lead, mercury, hexavalent chromium, polybrominated biphenyls or polybrominated diphenyl ethers in concentrations exceeding 0.1 weight % and 0.01 weight % for cadmium, except for the exemptions set in Schedule 2 of the Rule.

Turkey EEE Regulation

Conforms to the EEE Regulations of the Republic Of Turkey.

Ukraine Restriction of Hazardous Substances

The equipment complies with requirements of the Technical Regulation, approved by the Resolution of Cabinet of Ministry of Ukraine as of 10 March 2017, № 139, in terms of restrictions for the use of certain dangerous substances in electrical and electronic equipment.

Vietnam RoHS

As from December 1, 2012, all products manufactured by MSI comply with Circular 30/2011/TT-BCT temporarily regulating the permitted limits for a number of hazardous substances in electronic and electric products.

Bangladesh RoHS Statement

This product shipped to Bangladesh complies with the RoHS requirements set forth in the Hazardous Waste (E-waste) Management Rules, 2021 by Government of Bangladesh. For more information, please refer to:

<https://csr.msi.com/global/bangladesh-rohs-statement>

Bangladesh E-waste Management Reminder

Please manage, dismantle, dispose of, or recycle e-waste properly as per the Environmental Protection Rules, 1997 to avoid the harm that may be caused to the environment and ecosystem, public interest and public health.

Material Declaration under India's Plastic Waste Management Rules:

INDOMSI COMPUTERS PRIVATE LIMITED

Regn. No.: IM-06-000-06-AAHCI0478A-25

Thickness \geq 50 microns

Green Product Features

- Reduced energy consumption during use and stand-by
- Limited use of substances harmful to the environment and health
- Easily dismantled and recycled
- Reduced use of natural resources by encouraging recycling
- Extended product lifetime through easy upgrades
- Reduced solid waste production through take-back policy

Environmental Policy

- The product has been designed to enable proper reuse of parts and recycling and should not be thrown away at its end of life.
- Users should contact the local authorized point of collection for recycling and disposing of their end-of-life products.
- Visit the MSI website <https://csr.msi.com/global/pevn_ewaste> and locate a nearby distributor for further recycling information.
- Please visit <<https://us.msi.com/page/recycling>> for information regarding the recycling of your product in the US.



Warning!

Overuse of screens is likely to affect eyesight.

Recommendations:

1. Take a 10-minute break for every 30 minutes of screen time.
2. Children under 2 years of age should have no screen time. For children aged 2 years and over, screen time should be limited to less than one hour per day.

Copyright and Trademarks Notice



Copyright © Micro-Star Int'l Co., Ltd. All rights reserved. The MSI logo used is a registered trademark of Micro-Star Int'l Co., Ltd. All other marks and names mentioned may be trademarks of their respective owners. No warranty as to accuracy or completeness is expressed or implied. MSI reserves the right to make changes to this document without prior notice.



The terms HDMI™, HDMI™ High-Definition Multimedia Interface, HDMI™ Trade dress and the HDMI™ Logos are trademarks or registered trademarks of HDMI™ Licensing Administrator, Inc.

Technical Support

If a problem arises with your product and no solution can be obtained from the user's manual, please contact your place of purchase or local distributor. Alternatively, please visit <https://www.msi.com/support/> for further guidance.