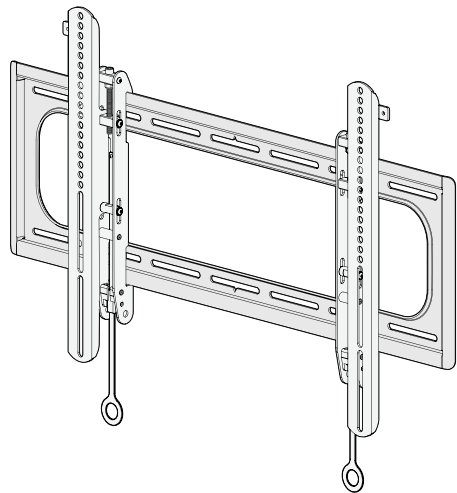


SANUS



BXL1 INSTRUCTION MANUAL

Para Español ver página 24

GET IT RIGHT THE FIRST TIME

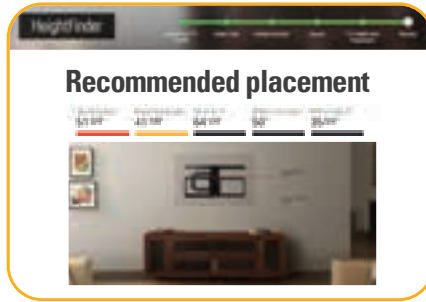
Follow this step-by-step
instruction manual to
speed up your installation.

WE'RE HERE TO HELP



Want to watch a video that shows how easy this DIY project will be?

Watch it now at:
[SANUS.com/2760](https://www.sanus.com/2760)



Get it right the first time. HeightFinder™ shows you where to drill.

Check it out at:
[SANUS.com/1172](https://www.sanus.com/1172)



Our US-based install experts are standing by to help.




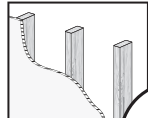

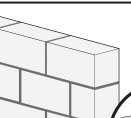
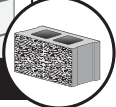
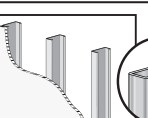


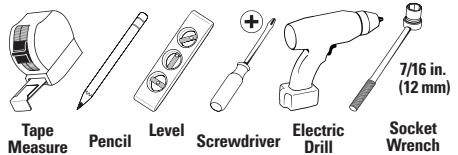

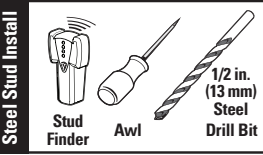
Call us at:
800-359-5520

Or, chat at:
[SANUS.com/chatSP](https://www.sanus.com/chatSP)

Milestone AV Technologies and its affiliated corporations and subsidiaries (collectively, "Milestone"), intend to make this manual accurate and complete. However, Milestone makes no claim that the information contained herein covers all details, conditions, or variations. Nor does it provide for every possible contingency in connection with the installation or use of this product. The information contained in this document is subject to change without notice or obligation of any kind. Milestone makes no representation of warranty, expressed or implied, regarding the information contained herein. Milestone assumes no responsibility for accuracy, completeness or sufficiency of the information contained in this document.

IMPORTANT SAFETY INSTRUCTIONS – SAVE THESE INSTRUCTIONS – PLEASE READ ENTIRE MANUAL PRIOR TO USE

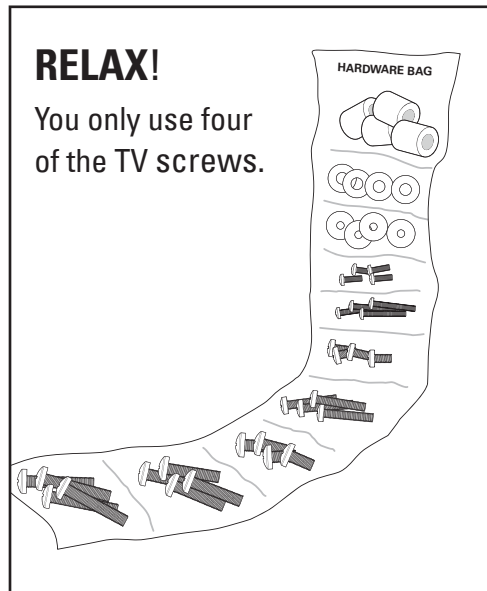
Before getting started, let's make sure this mount is perfect for you!

1 Does your TV (including accessories) weigh <i>more</i> than 	 180 lbs. (81.6 kg) For Wood Stud and Solid Concrete or Concrete Block Walls	 130 lbs. (58.9 kg) For Steel Stud Walls	No — Perfect! Yes — This mount is NOT compatible. Visit MountFinder.Sanus.com or call 1-800-359-5520 to find a compatible mount.
2 What is your wall made of? CAUTION: DO NOT install into drywall alone	 Drywall with wood studs?  Perfect!	 Solid concrete or concrete block?  Perfect!	 Drywall with steel studs?  Steel stud kit required [NOT INCLUDED]  Call Customer Service: 1-800-359-5520
3 Do you have all the tools needed?	 Wood Stud Install Stud Finder, Awl, 7/32 in. (5.5 mm) Wood Drill Bit  Concrete Install 3/8 in. (10 mm) Concrete Drill Bit, Hammer  Steel Stud Install Stud Finder, Awl, 1/2 in. (13 mm) Steel Drill Bit		
4 Ready to begin?	<p>Please read through these instructions completely to be sure you're comfortable with this easy install process. Also check your TV owner's manual to see if there are any special requirements for mounting your TV.</p> <p>If you do not understand these instructions or have doubts about the safety of the installation, assembly or use of this product, contact Customer Service at 1-800-359-5520.</p> <p>CAUTION: Avoid potential personal injuries and property damage!</p> <ul style="list-style-type: none">• This product includes directions and hardware for use with wood stud, solid concrete and concrete block walls – DO NOT install into drywall alone. For information on how to use this product with steel stud walls contact Customer Service and ask about the steel stud mounting kit.• The wall must be capable of supporting five times the weight of the TV and mount combined.• Do not use this product for any purpose not explicitly specified by manufacturer.• Manufacturer is not responsible for damage or injury caused by incorrect assembly or use.		

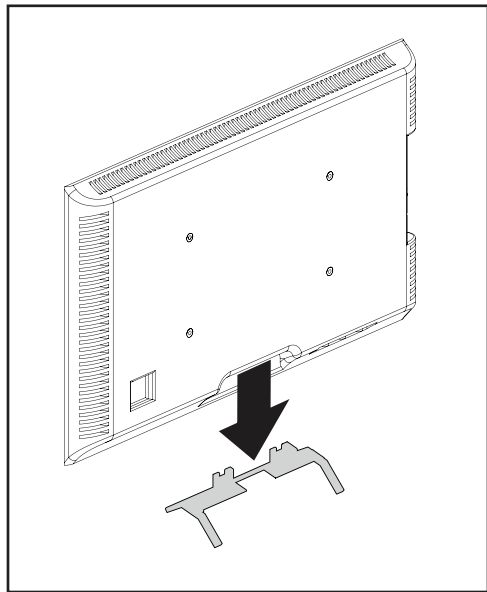
Before you begin

Don't stress out when you see all the hardware included.

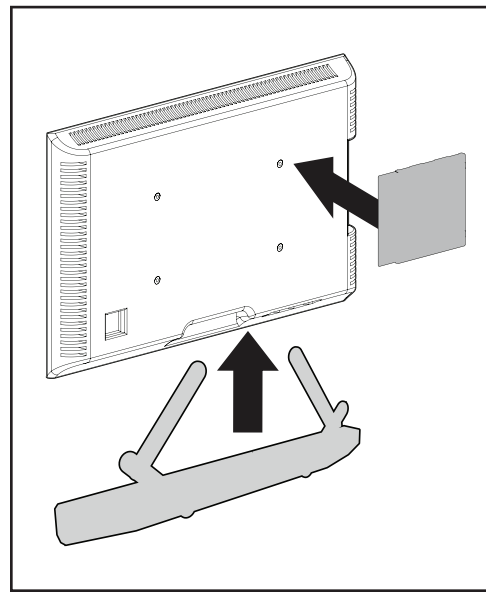
Extra TV screw sizes and lengths are provided to fit most TVs.



Remove the stand from your TV — if attached.



Install any accessories you may have purchased — if they require the TV to be removed from the wall for assembly. The TV is removable for future accessory purchases.

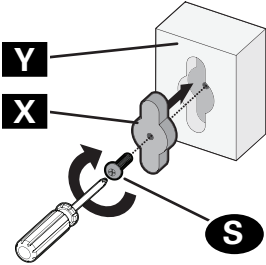


Step-by-Step illustrations

speed up your installation.

Don't get it? Read the detailed explanation below each step.

1 ASSEMBLE



Secure part **X** to housing **Y** using screw **S**.

TIP: Each component has a number designation. See PAGE 6.

Read **ALL CAUTION** warnings. These are **IMPORTANT!**

CAUTION: Avoid potential

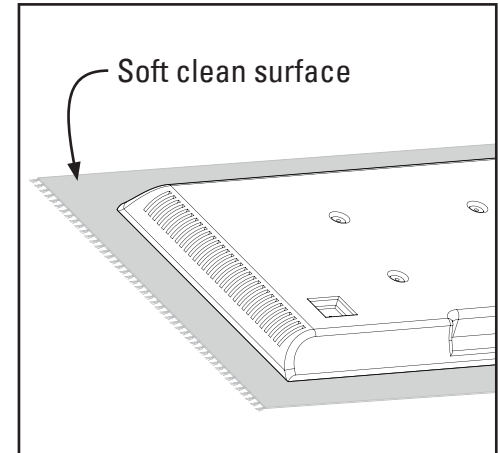
Read **Important Stuff** read read read
Must Read read read read read read
Read read read **Safety First** read r

IMPORTANT: Read Important read

NOTE: Read read **Dually Noted** rea

TIP: Read **That's Helpful** read read

Protect the face of your TV when laying it down for installation.



Let's Go →

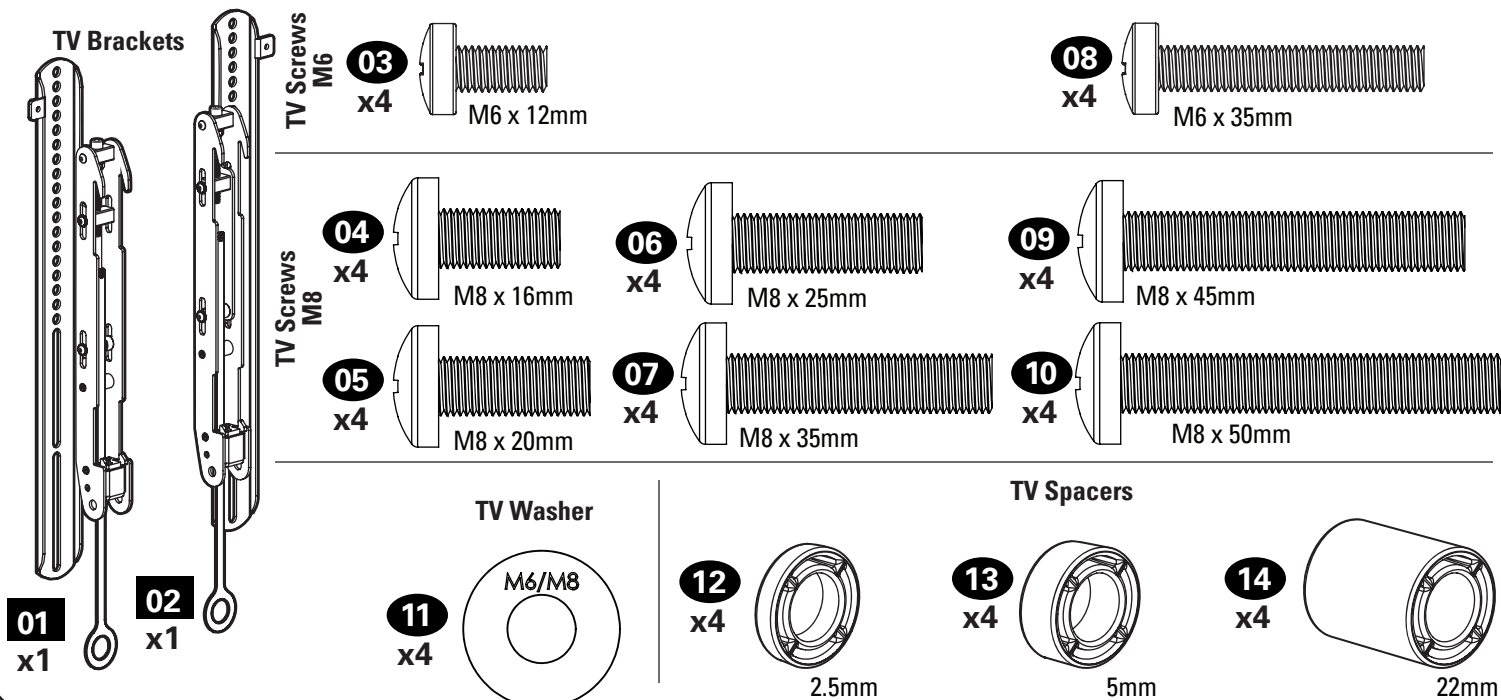
STEP 1

Attach TV Bracket to TV

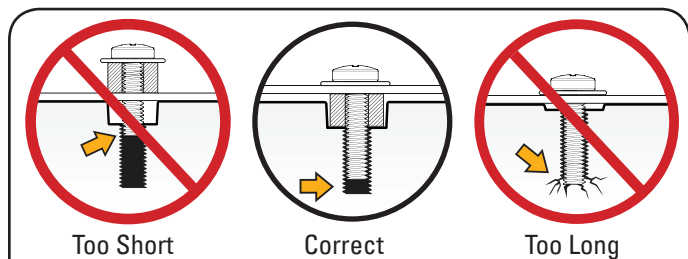
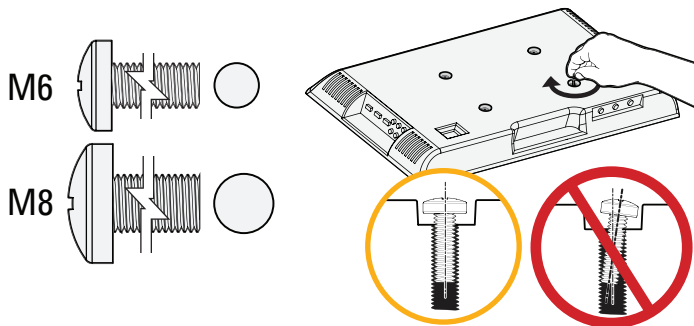
⚠ WARNING: This product contains small items that could be a choking hazard if swallowed. Before starting assembly, verify all parts are included and undamaged. If any parts are missing or damaged, do not return the damaged item to your dealer; contact Customer Service. Never use damaged parts!

📄 NOTE: Not all hardware included will be used.

Parts and Hardware for STEP 1



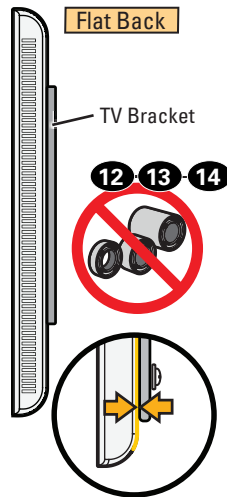
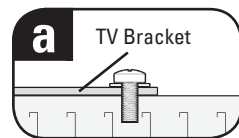
1.1 Select TV Screws



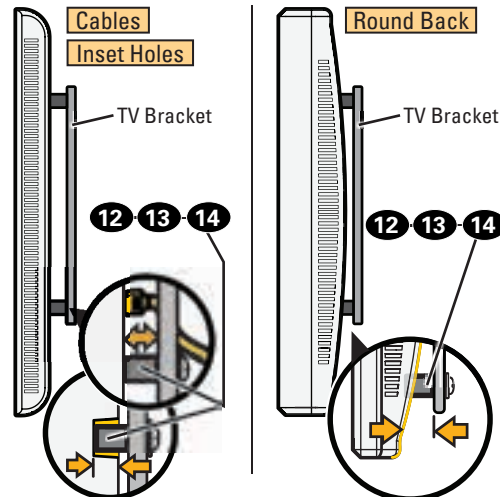
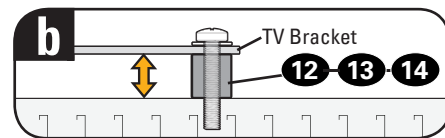
CAUTION: Verify adequate thread engagement with your screw/washer/spacer combination AND the TV brackets. (STEP 1.2). **TOO SHORT** will not hold the TV and **TOO LONG** will damage the TV.

Determine which screw diameter (M6 or M8) fits the four mounting holes on the back of your TV.

1.2 Determine Spacer Need

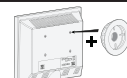


For flat-back TVs, no spacers **12**, **13** or **14** are required.

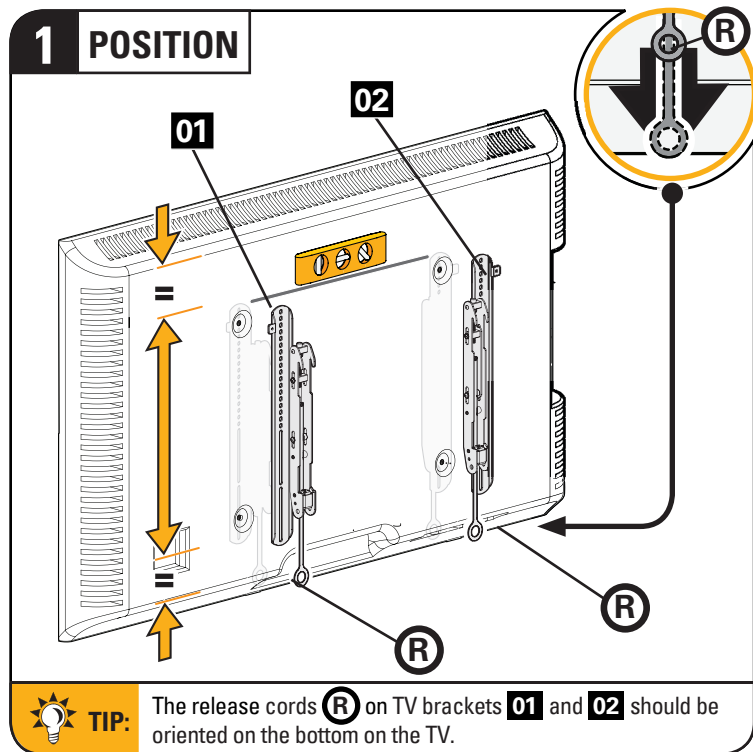


For rounded-back TVs, cable interference or inset holes, spacers **12**, **13** or **14** to create extra space between the TV and TV bracket.

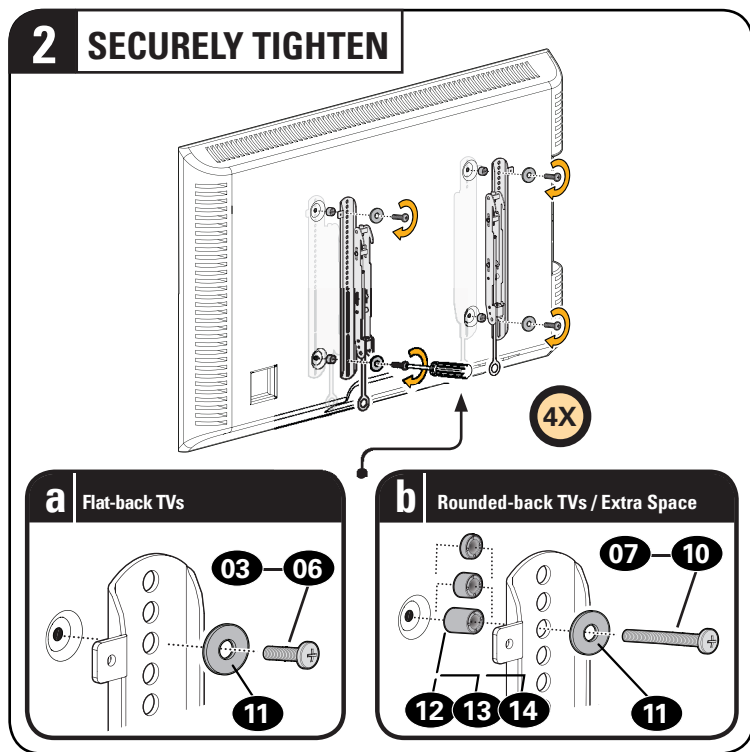
? If your TV included inset spacers or wall mount adapters, see Troubleshooting on PAGE 22.



1.3 Attach TV Bracket Assembly to TV



Center the TV brackets **01** and **02** over your TV's mounting hole pattern as shown - making sure the brackets are at the same height.



Install using the spacer, screw and washer combination you selected for your TV.

STEP 2

Attach Wall Plate to Wall

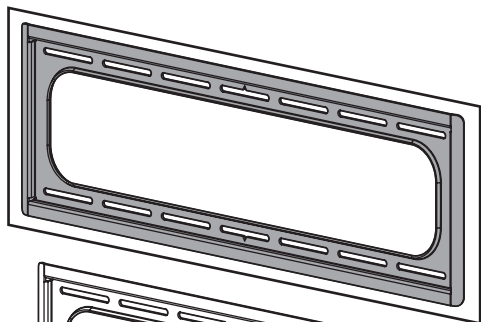
WARNING: This product contains small items that could be a choking hazard if swallowed. Before starting assembly, verify all parts are included and undamaged. If any parts are missing or damaged, do not return the damaged item to your dealer; contact Customer Service. Never use damaged parts!

NOTE: Not all hardware included will be used.

Parts and Hardware for STEP 2

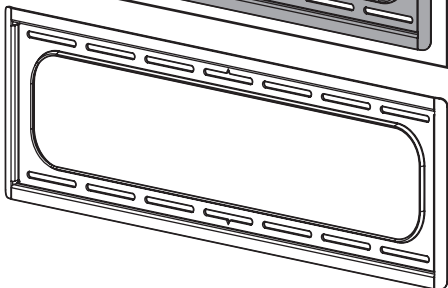
Wall Plate
Template

15 x1



Wall Plate

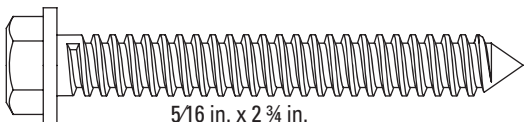
16 x1



Lag Bolt

17

x4



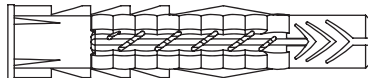
5/16 in. x 2 3/4 in.

For concrete installations ONLY

Concrete Anchors

18

x4



UX10x60R

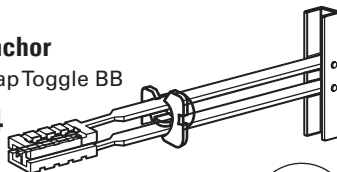
Hardware for STEP 2C Steel Stud Option [Steel Stud Anchor Kit is NOT INCLUDED]

Contact Customer Service at 1-800-359-5520 to inquire about the additional hardware.

Anchor

1/4-20 SnapToggle BB

S1 x4



Screw

S2 x4



1/4-20 x 1.75



1/4 in.

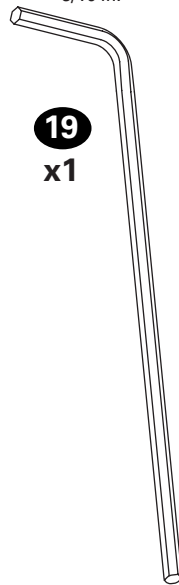
Washer

S3 x4

Adjustments

Hex Key

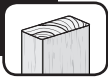
3/16 in.



19

x1

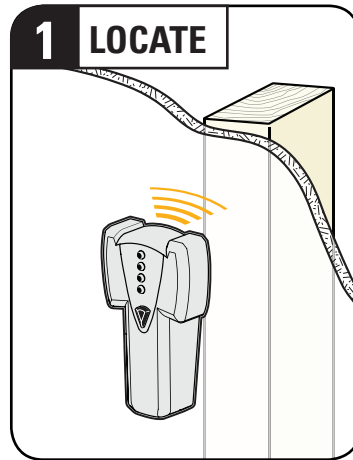
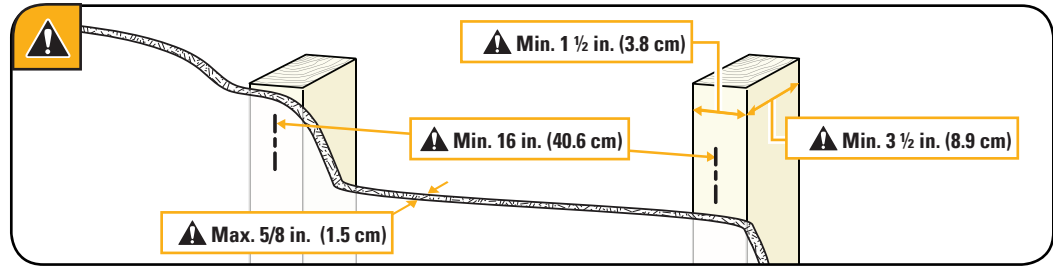
STEP 2A



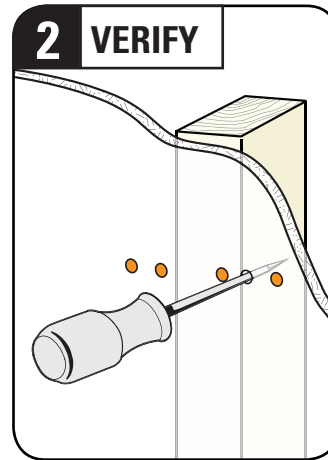
Wood Stud Installation

⚠ CAUTION: Avoid potential personal injury or property damage!

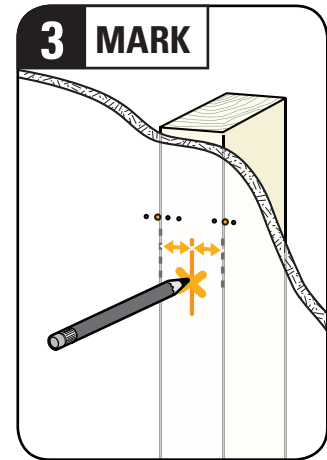
- Drywall covering the wall must not exceed 5/8 in. (1.5 cm)
- Minimum wood stud size: nominal 2 x 4 in. (5.1 x 10.2 cm) actual 1 1/2 x 3 1/2 in. (3.8 x 8.9 cm)
- Minimum horizontal space between fasteners: 16 in. (40.6 cm)
- Stud centers must be verified



Locate the studs using a stud finder.



Find the edges of the studs using an awl or small drill bit.

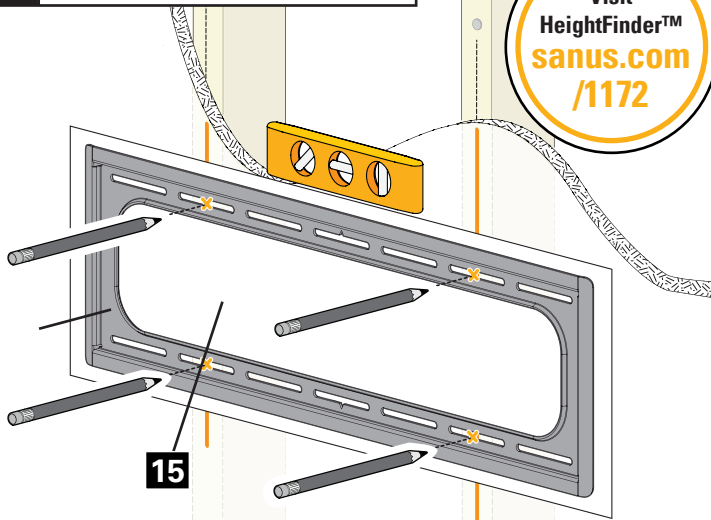


Mark the centers of the studs with a pencil.

4 POSITION TEMPLATE



Visit
HeightFinder™
sanus.com/1172



TIP: To calculate your precise wall plate location, check out our HeightFinder at sanus.com/1172.

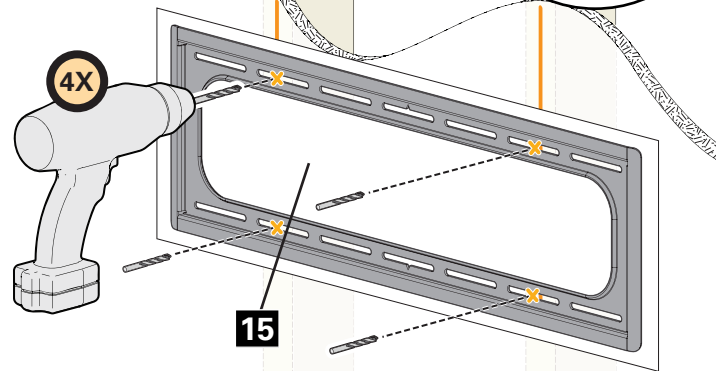
Place the wall plate template **15** at your desired height and position the slotted holes over your stud center lines. Level and mark the hole locations.

5 DRILL



2 3/4 in. (7.0 cm)

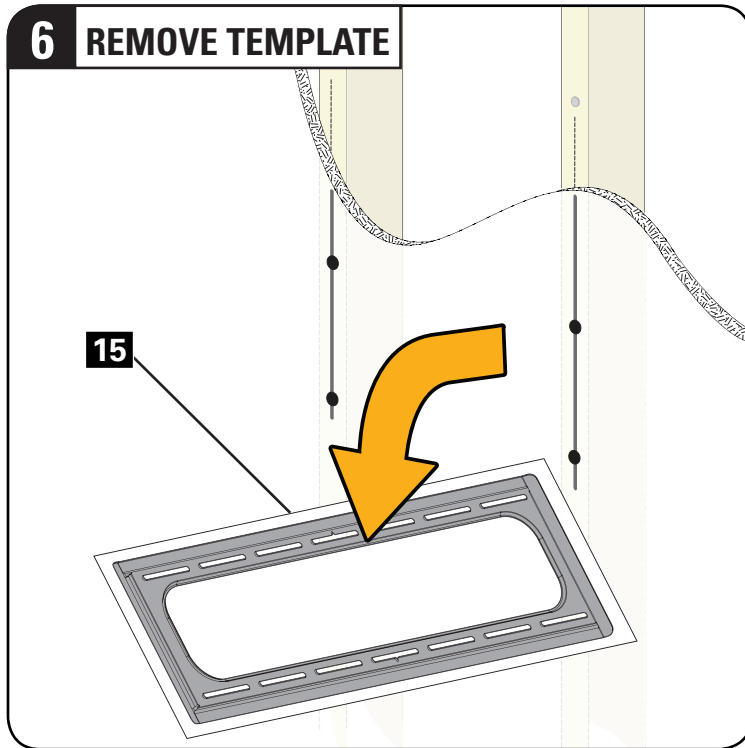
7/32 in.
(5.5 mm)



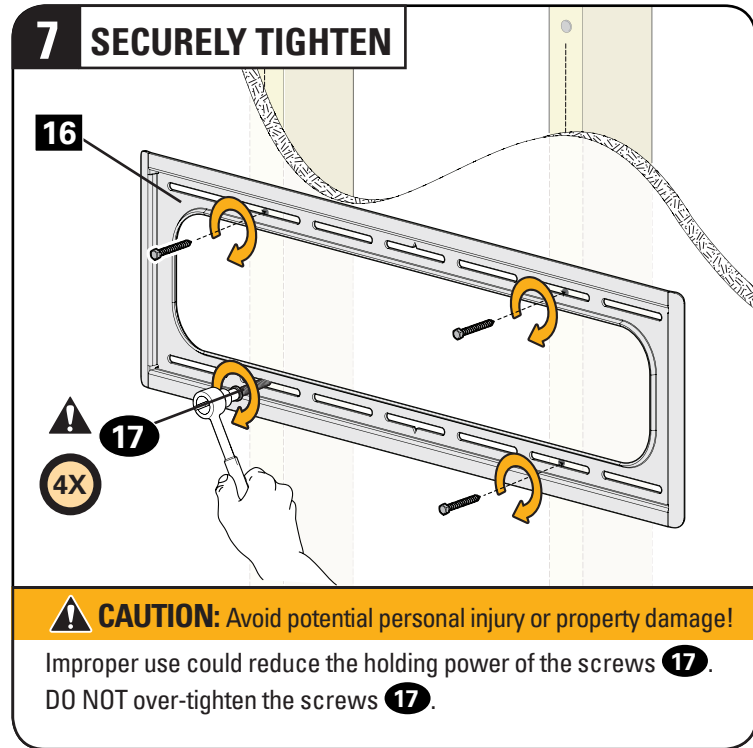
CAUTION: Be sure you drill into the CENTER of the stud.

Drill the four pilot holes using a 7/32 in. (5.5 mm) diameter drill bit.

IMPORTANT: Pilot holes must be drilled to a depth of 2 3/4 in. (7.0 cm).



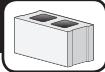
Remove the wall plate template and discard.



Install the four screws **17** and tighten only until they are pulled firmly against the wall plate **16**.

Go to **STEP 3** on **PAGE 19**.

STEP 2B

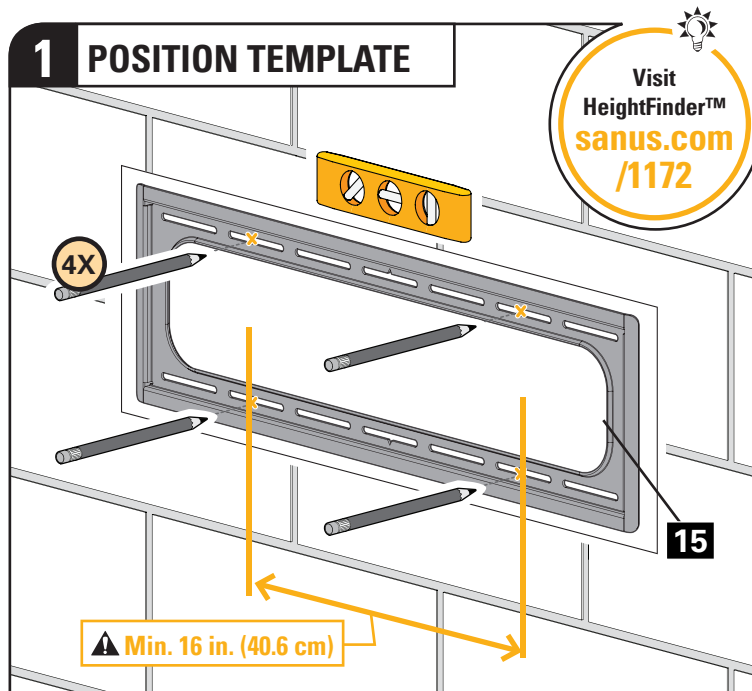


Solid Concrete or Concrete Block Installation

CAUTION: Avoid potential personal injury or property damage!

- Mount the wall plate **16** directly onto the concrete surface
- Minimum **solid concrete** thickness: 8 in. (20.3 cm)
- Minimum **concrete block** size: 8 x 8 x 16 in. (20.3 x 20.3 x 40.6 cm)
- Minimum horizontal space between fasteners: 16 in. (40.6 cm)

1 POSITION TEMPLATE



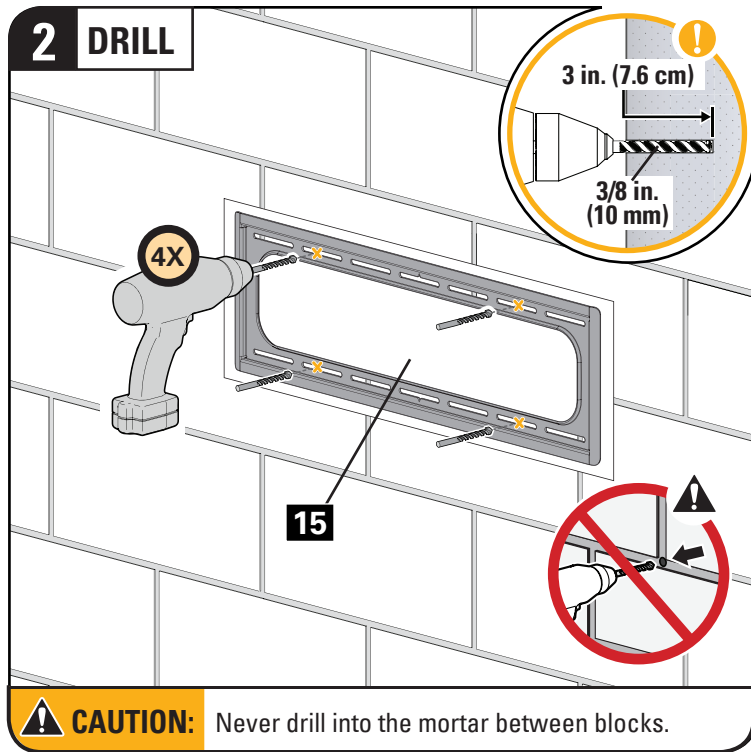
TIP:

To calculate your precise wall plate location, check out our HeightFinder at sanus.com [www.sanus.com/1172].

Position the wall plate template **15** on the wall at your desired height. Level and mark the hole locations.

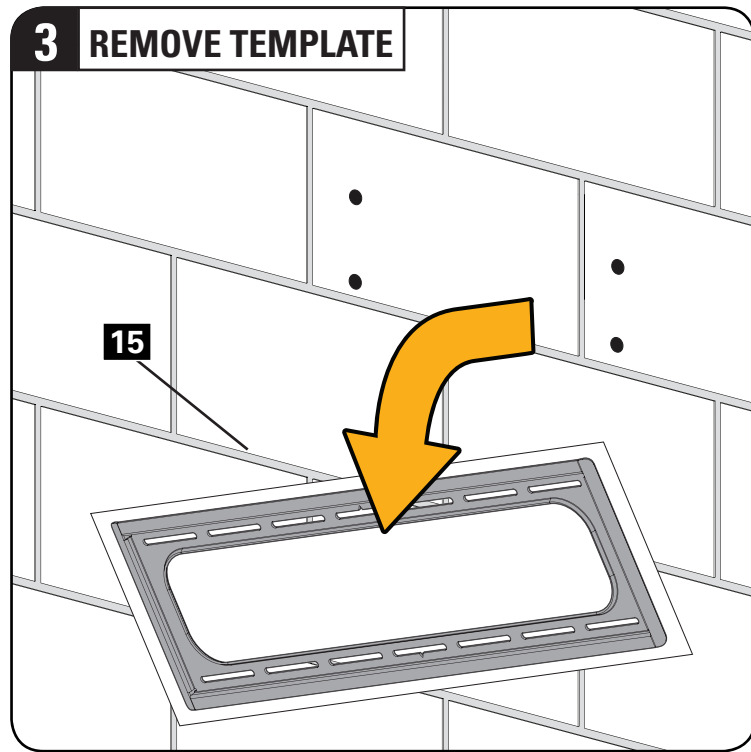
STEP 2B

(continued)



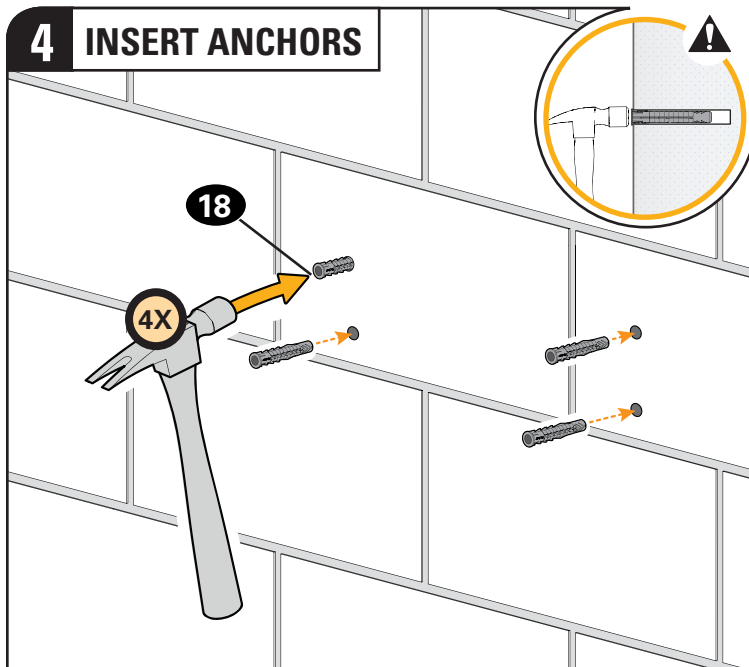
Drill four pilot holes using a 3/8 in. (10 mm) diameter drill bit.

! **IMPORTANT:** Pilot holes must be drilled to a depth of 3 in. (7.6 cm).



Remove the wall plate template **15** and discard.

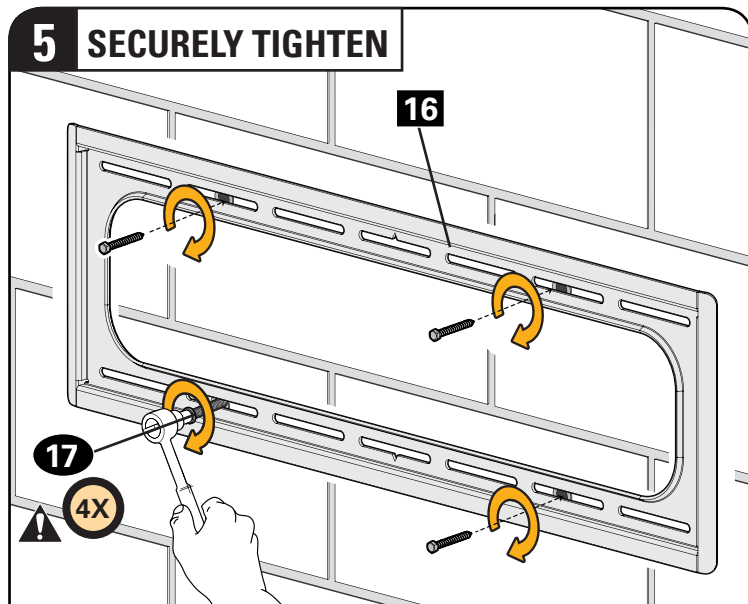
4 INSERT ANCHORS



CAUTION: Be sure the anchors **18** are seated flush with the concrete surface.

Insert four anchors **18** into the drilled holes.

5 SECURELY TIGHTEN

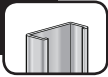


CAUTION: Avoid potential personal injury or property damage!

Improper use could reduce the holding power of the screws **17**.
DO NOT over-tighten the screws **17**.

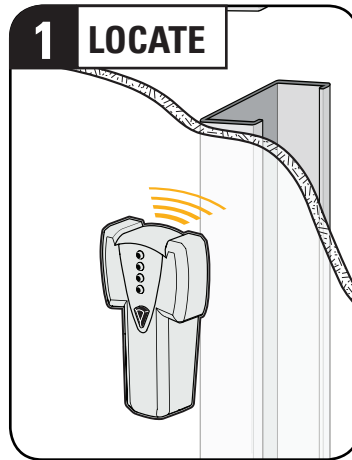
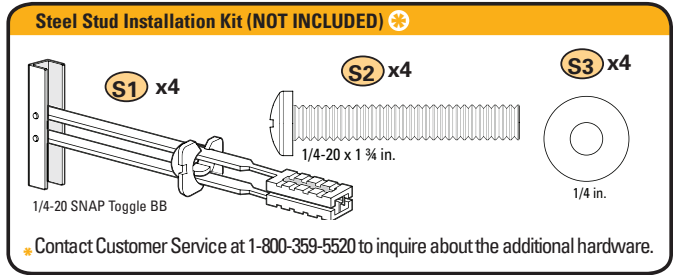
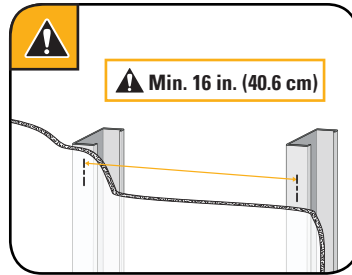
Install the four screws **17** and tighten only until they are pulled firmly against the wall plate **16**.

Go to **STEP 3** on **PAGE 19**

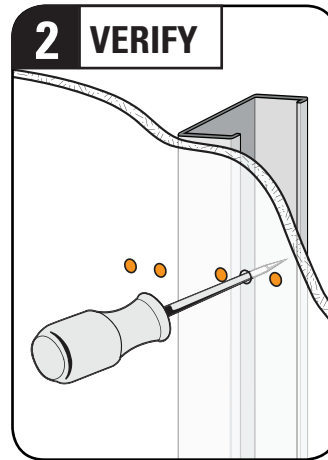


CAUTION: Avoid potential personal injury or property damage!

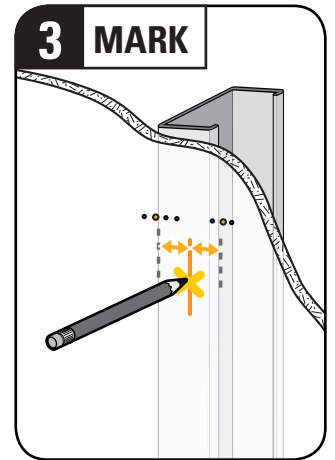
- Studs must be at least 2x4 / 25 ga.
- If back side of wall is unfinished, drywall must be installed to a minimum of one stud left and right of the stud(s) being used to install the mount
- Drywall must be a minimum of 1/2 in. (1.2 cm) thick on each side of the studs, and a minimum clearance of 1 7/8 in. (4.8 cm) behind the wall is required
- This product must be centered on the studs
- Stud type and structural strength must conform to the North American Specification for the Design of Cold-Formed Steel Structural Members [362 S 125 18, C-Shape, S - Stud Section]
- Drywall must be secured to studs with screws 12 in. (30.4 mm) on center



Locate the studs using a stud finder.



Find the edges of the studs using an awl or small drill bit.

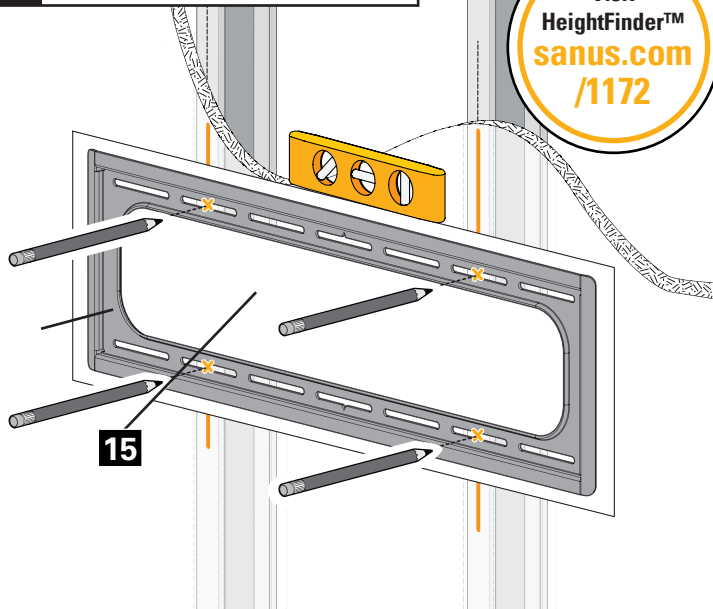


Mark the centers of the studs with a pencil.

4 POSITION TEMPLATE



Visit
HeightFinder™
sanus.com/1172



TIP: To calculate your precise wall plate location, check out our HeightFinder at sanus.com/1172.

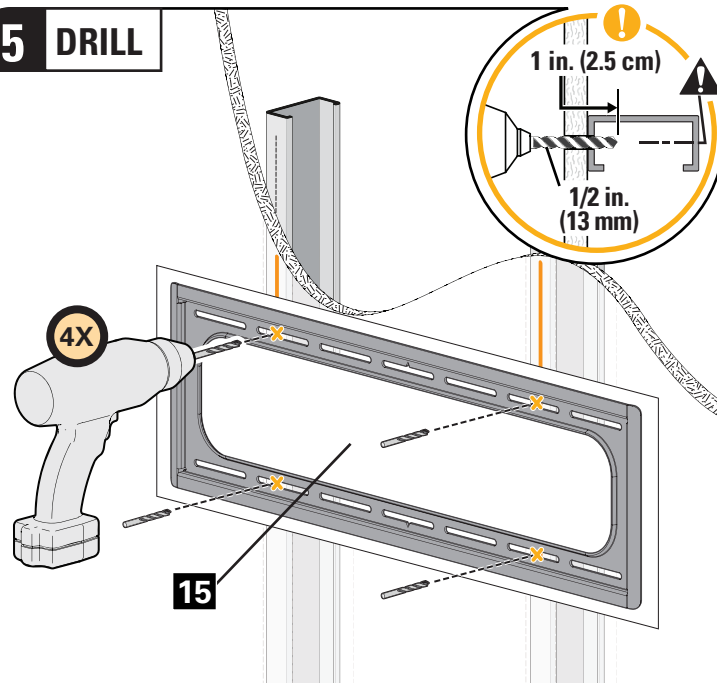
Place the wall plate template **15** at your desired height and position the slotted holes over your stud center lines. Level and mark the hole locations.

5 DRILL



1 in. (2.5 cm)

1/2 in.
(13 mm)

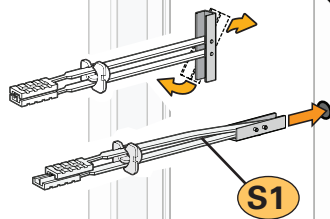


CAUTION: Be sure you drill into the CENTER of the stud.

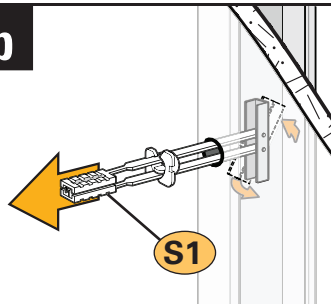
Drill the four pilot holes using a 1/2 in. (13 mm) diameter drill bit.
IMPORTANT: Pilot holes must be drilled to a depth of 1 in. (2.5 cm). Remove the wall plate template and discard.

6 INSTALL ANCHORS

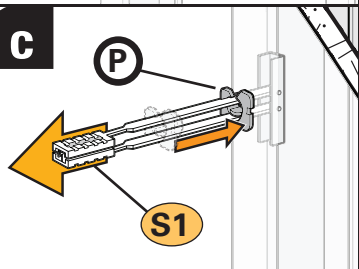
a



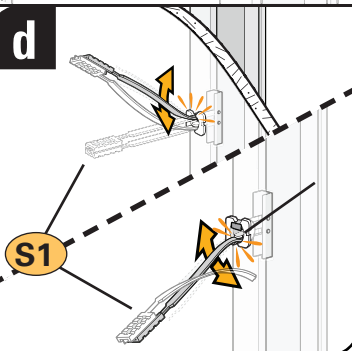
b



c



d

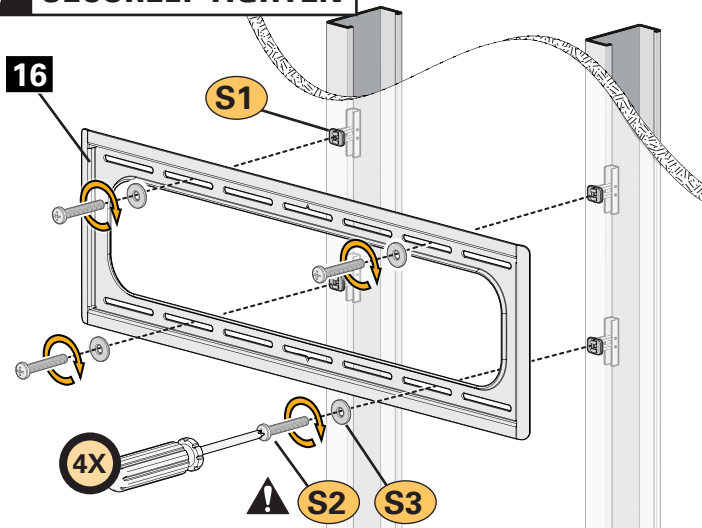


CAUTION: Be sure cap **P** is seated against the drywall surface.

a. Insert the four anchors **S1*** into the drilled holes. b. Pull to rotate the anchor **S1*** inside the wall. c. Hold the end of the anchor **S1***, while sliding the cap **P** against the drywall. d. Snap off the ends of the anchor **S1*** to lock in place.

7 SECURELY TIGHTEN

16



CAUTION: Avoid potential personal injury or property damage!

All four screws **S2** MUST BE firmly tightened to prevent unwanted movement of the wall plate **16**. Ensure the wall plate is securely fastened to the wall before continuing on to the next step.

Install the four screws **S2** and washers **S3**, and firmly tighten until they are pulled flush against the wall plate **16**.

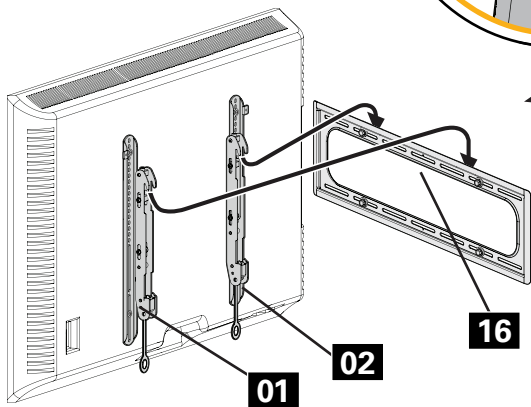
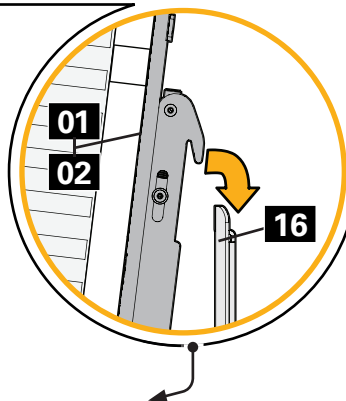
STEP 3

Attach TV to Wall Plate

1 HANG

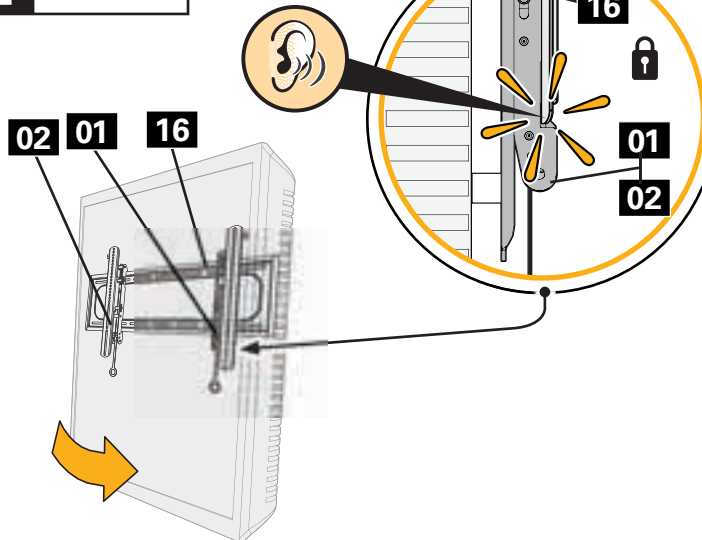


HEAVY! You may need assistance with this step.



NOTE: TV brackets **01** and **02** can be slid anywhere along wall plate **16** for optimal positioning of your TV.

2 ATTACH



CAUTION: Avoid potential personal injury or property damage!

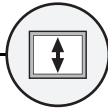
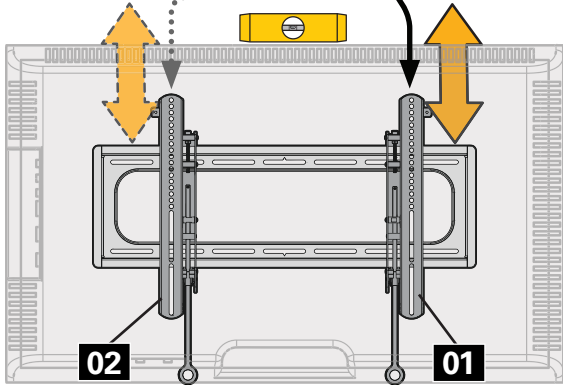
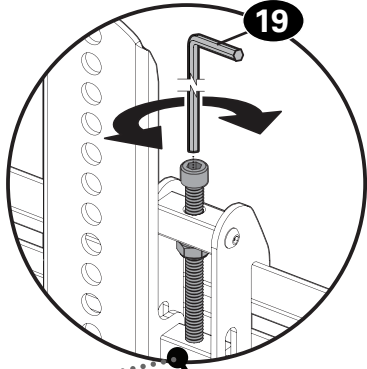
Always make sure TV brackets **01** and **02** are in the locked position so the TV is securely fastened to the wall plate **16**.

Press the bottom of the TV into the wall plate **16** until you hear the lock click, securing the TV in place.

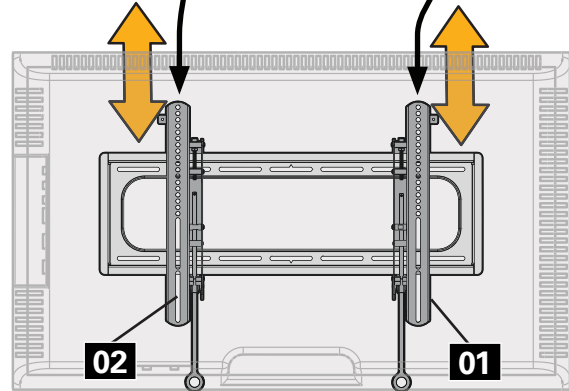
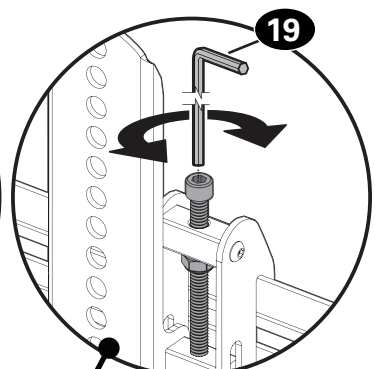
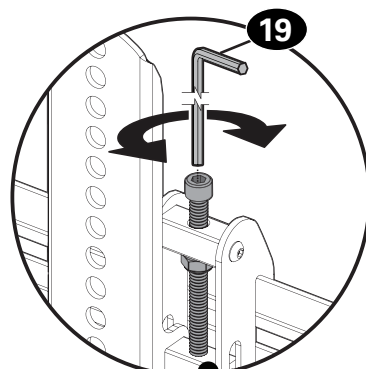
Adjustments

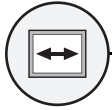


LEVEL



HEIGHT





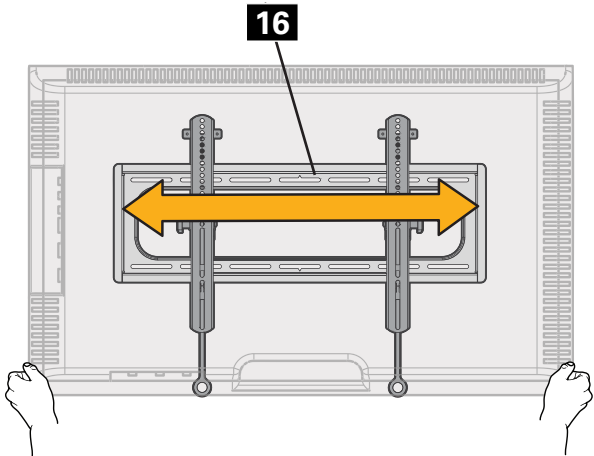
TV LATERAL SHIFT



HEAVY! You may need assistance with this step.

CAUTION: Avoid potential personal injury or property damage!

Slowly slide the TV along the wall plate to reposition. The wall plate has built-in stops to limit lateral movement.

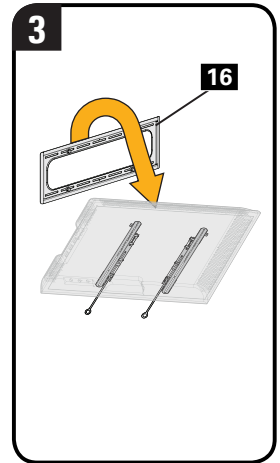
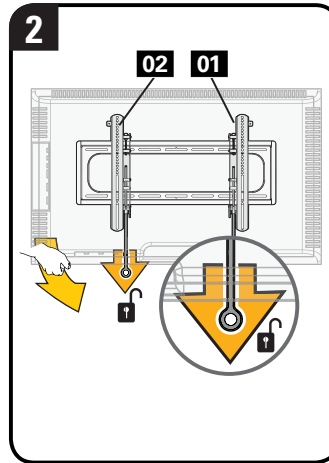
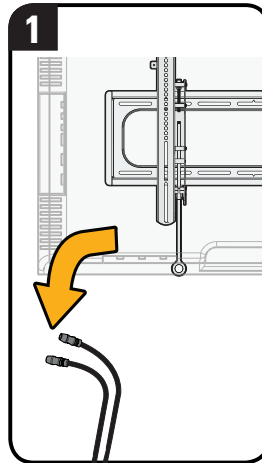


REMOVING THE TV

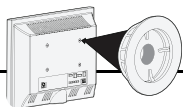


HEAVY! You may need assistance with this step.

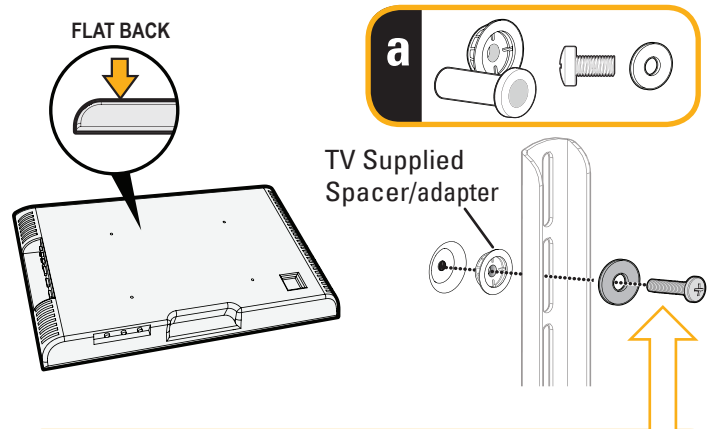
NOTE: To rehang the TV, follow the procedures in STEP 3 on PAGE 16.



TV supplied spacers



a: Use your TV supplied spacer/adaptor for flat back TVs (AND you want your TV closer to the wall).



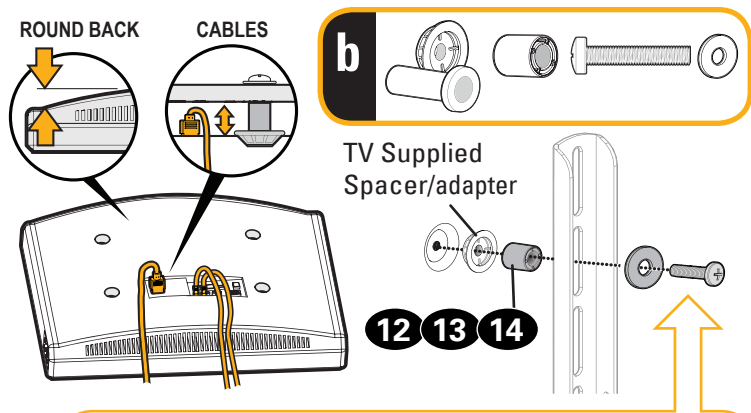
CAUTION: Avoid potential injury or property damage! Use the correct screw length for adequate thread engagement.

- Too short will not hold the TV.
- Too long will damage the TV.

If you are uncertain about your hardware selection, contact Customer Service at 1-800-359-5520.

b: Use your TV supplied spacer/adaptor and spacer **12**, **13** or **14** for:

- Round (irregular) back TVs
- Extra space needed for cables



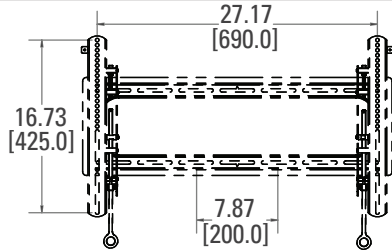
CAUTION: Avoid potential injury or property damage! Use the correct screw length for adequate thread engagement.

- Too short will not hold the TV.
- Too long will damage the TV.

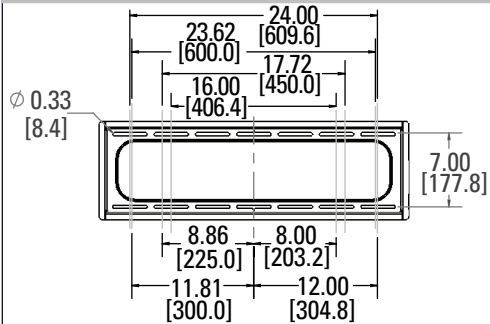
Dimensions

in. [mm]

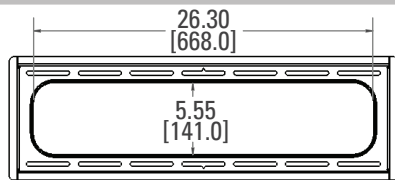
TV INTERFACE



WALL PLATE

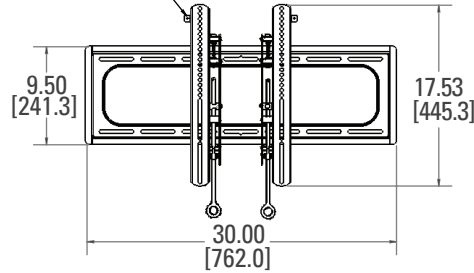


WALL PLATE OPENING

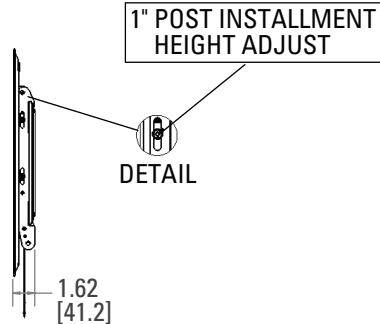


TOP VIEW - EXTENDED

FOR SMALL PARTS PANEL



SIDE VIEW



3-D



Antes de comenzar, verifiquemos si este soporte es el adecuado para usted.

1 ¿Su televisor (incluidos los accesorios) pesa más de... →

**81,6 kg
(180 lb)**

En tabiques de yeso, hormigón sólido o bloques de hormigón

**58,9 kg
(130 lb)**

En paredes con montantes de acero

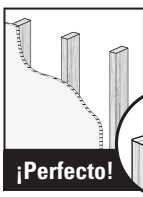
No. ¡Perfecto!

Si. Este soporte NO es compatible. Visite MountFinder.Sanus.com o llame al 1-800-359-5520 para encontrar un soporte compatible.

2 ¿De qué está hecha su pared?

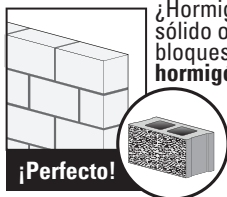
⚠ PRECAUCIÓN:

NO lo instale en tabiques únicamente de yeso



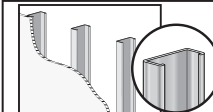
¡Perfecto!

¿Tabiques de yeso con montantes de madera?



¡Perfecto!

¿Hormigón sólido o bloques de hormigón?



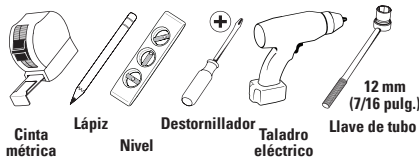
Se requiere el kit para montantes de acero [NO INCLUIDO]

¿Tabiques de yeso con montantes de acero?



Llame al servicio de atención al cliente: 1-800-359-5520

3 ¿Tiene todas las herramientas necesarias?



Cinta métrica

Lápiz

Nivel

Destornillador

Taladro eléctrico

Llave de tubo
12 mm
(7/16 pulg.)



Instalación en montantes de madera

Localizador de montantes

Punzón

Broca para madera de 3 mm (1/8 pulg.)



Instalación en hormigón

Broca para hormigón de 10 mm (3/8 pulg.)

Martillo



Instalación en montantes de acero

Localizador de montantes

Punzón

Broca para acero de 13 mm (1/2 pulg.)

4 ¿Listo para comenzar?

Lea estas instrucciones en su totalidad para sentirse seguro y cómodo con este fácil proceso de instalación. Consulte igualmente el manual del usuario de su televisor para saber si existe algún requisito especial para instalar su televisor en la pared.

Si no entiende las instrucciones o si tiene dudas acerca de la seguridad de la instalación, del ensamblado o del uso del producto, póngase en contacto con el servicio de atención al cliente al 1-800-359-5520.

⚠ PRECAUCIÓN: Evite posibles lesiones personales y daños materiales.

- Este producto está diseñado para usarse únicamente en aplicaciones con montantes de madera, hormigón y bloques de hormigón. NO lo instale en tabiques únicamente de yeso. Para obtener información sobre cómo usar este producto en paredes con montantes de acero, póngase en contacto con el servicio de atención al cliente y pregunte por el kit de montaje en montantes de acero
- La pared debe soportar cinco veces el peso del televisor y del soporte juntos
- No utilice este producto para ningún otro propósito que no sea el explícitamente especificado por el fabricante
- El fabricante no se responsabiliza por ningún daño o lesión resultante del montaje incorrecto o del uso indebido

¡ESTAMOS AQUÍ PARA AYUDARLE!

¿Desea ver un video para comprobar lo fácil que es hacerlo usted mismo?

 Visualícelo ahora en: SANUS.com/2760

Acierte a la primera. HeightFinder™ le indica el lugar donde debe taladrar.

 Descúbralo en: SANUS.com/1172

Nuestros expertos en instalación de EE. UU. están listos para ayudar.

 Llámenos al: [800-359-5520](tel:800-359-5520)  O contacte con nosotros por chat en: SANUS.com/chatSP

Antes de comenzar

No se preocupe cuando vea todas las herramientas incluidas. Se proporcionan tornillos específicos de diferentes tamaños y longitudes para poder usarlos con la mayoría de televisores. ¡**RELÁJESE!** Solamente tendrá que usar cuatro de estos tornillos para el televisor.

Retire el soporte de su televisor... ¡si ya lo tenía instalado claro!

Instale todos los accesorios que quiera añadir a su televisor.

Compruebe en los manuales de los accesorios si es necesario instalarlos ANTES de montar el televisor.

Utilice solo las ilustraciones para instalar el soporte del televisor.

¿No lo entiende? Lea la explicación detallada debajo de cada paso.

Lea TODAS las advertencias de seguridad. ¡Son muy **IMPORTANTES!** [ **PRECAUCIÓN:**  **IMPORTANTE:**  **NOTA:**  **CONSEJO:**]

Proteja la pantalla del televisor cuando lo ponga boca abajo para la instalación.

PASO 1**Fijar el soporte del televisor al televisor**

PÁGINA 6

⚠ ADVERTENCIA: Este producto contiene piezas pequeñas que, en caso de ser tragadas, podrían producir asfixia. Antes de iniciar el ensamblaje, compruebe que todas las piezas estén incluidas y en buenas condiciones. Si faltan piezas o alguna está dañada, no devuelva el artículo al distribuidor. Póngase en contacto con el servicio de atención al cliente. Nunca utilice piezas deterioradas.

📄 NOTA: No todos los elementos de sujeción incluidos deberán utilizarse.

⚠ PRECAUCIÓN: Evite posibles lesiones físicas y daños materiales. Los soportes del televisor pueden contener puntos de compresión durante la operación. Mantenga los dedos alejados de los puntos de compresión al retraer el televisor. (observe las flechas)

1.1 Seleccione los tornillos del televisor

Determine qué diámetro de tornillos (M6 o M8) encaja en los cuatro orificios de montaje de la parte trasera de su televisor.

⚠ PRECAUCIÓN: Compruebe el enrosque adecuado de la combinación tornillo/arandela/espaciador y los soportes del televisor. (PASO 1.3).

Si el tornillo es **DEMASIADO CORTO**, no sostendrá el televisor. Si es **DEMASIADO LARGO**, el televisor se dañará.

1.2. Determine el espaciador que necesita para su tipo de televisor

Determine dónde desea colocar el espaciador cuando fije el soporte del televisor en el PASO 1.3.

Para los televisores con la parte trasera plana y para que su televisor esté más cerca de la pared, utilice tornillos más cortos sin espaciador.

Para televisores con la parte trasera curvada, interferencia de cables u orificios empotrados, use tornillos más largos y los espaciadores **12**, **13** o **14** para crear un espacio adicional entre el televisor y el soporte.

1.3 Fije las placas de sujeción al televisor**1 COLOCAR EL SOPORTE DE TELEVISOR**

💡 CONSEJO: Los cables **R** del soporte del televisor **01** y **02** deben colocarse en la parte inferior del televisor.

Centre los soportes **01** y **02** sobre el patrón del orificio de montaje del televisor como se muestra, asegurándose de que los soportes están a la misma altura.

2 APRETAR CON FIRMEZA

Haga la instalación utilizando la combinación de espaciadores, tornillos y arandelas que seleccionó para su televisor.

PASO 2**Fijar la placa mural a la pared**

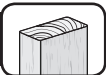
⚠ ADVERTENCIA: Este producto contiene piezas pequeñas que, en caso de ser tragadas, podrían producir asfixia. Antes de iniciar el ensamblaje, compruebe que todas las piezas estén incluidas y en buenas condiciones. Si faltan piezas o alguna está dañada, no devuelva el artículo al distribuidor. Póngase en contacto con el servicio de atención al cliente. Nunca utilice piezas deterioradas.

📄 NOTA: No todos los elementos de sujeción incluidos deberán utilizarse.

Accesorios para Paso 2C Opción para montantes de acero [El Kit de instalación de un solo montante no está incluido]

Comuníquese con el servicio de atención al cliente al 1-800-359-5520 para solicitar que le enviemos los elementos de sujeción adicionales.

PASO 2A



Instalación en pared con montantes de madera

PÁGINA 10

⚠ PRECAUCIÓN: Evite posibles lesiones físicas y daños materiales.

- El yeso que recubre la pared no debe exceder los 1,5 cm (5/8 pulg.)
- Tamaño mínimo del montante de madera: nominal 5,1 x 10,2 cm (2 x 4 pulg.) actual 3,8 x 8,9 cm (1 ½ x 3 ½ pulg.)
- Espacio horizontal mínimo entre los elementos de sujeción: 40,6 cm (16 pulg.)
- Debe comprobar los montantes centrales

1 LOCALIZAR LOS MONTANTES

Localice los montantes usando un localizador de montantes.

2 VERIFICAR LOS BORDES DE LOS MONTANTES

Encuentre los bordes de los montantes usando un punzón o una pequeña broca.

3 MARCAR LOS CENTROS DE LOS MONTANTES

Marque los centros de los montantes con un lápiz.

4 COLOCAR LA PLANTILLA

💡 CONSEJO: Para calcular la ubicación concreta de la placa mural, pruebe nuestra herramienta HeightFinder disponible en sanus.com [www.sanus.us/1172].

Coloque la plantilla de la placa mural **15** a la altura que desee y ubique los orificios muescados sobre las líneas centrales del montante. Nivele y marque la ubicación de los orificios.

5 TALADRAR ORIFICIOS EN LOS CENTROS DE LOS MONTANTES

Taladre los cuatro orificios guía con una broca de 5,5 mm (7/32 pulg.) de diámetro. **⚠ IMPORTANTE:** Los orificios guía deben taladrarse hasta una profundidad de 7,0 cm (2 ¾ pulg.).

6 RETIRAR LA PLANTILLA

Retire la plantilla de la placa mural y apártela.

7 APRETAR CON FIRMEZA

⚠ PRECAUCIÓN: Evite posibles lesiones físicas y daños materiales. Los cuatro tornillos **17** DEBEN ESTAR ajustados con firmeza para evitar el movimiento no deseado de la placa mural **16**. Asegúrese de que la placa de pared esté bien fijada a la pared antes de continuar con el paso siguiente.

Instale los cuatro tornillos **17** y ajústelos con firmeza hasta que estén a ras contra la placa mural **16**.

Vaya al PASO 3 en la PÁGINA 19.



⚠ PRECAUCIÓN: Evite posibles lesiones físicas y daños materiales.

- Instale la placa mural **16** directamente sobre la superficie de hormigón
- Espesor mínimo del **hormigón:** 20,3 cm (8 pulg.)
- Tamaño mínimo del **bloque de hormigón:** 20,3 x 20,3 x 40,6 cm (8 x 8 x 16 pulg.)
- Espacio horizontal mínimo entre los elementos de sujeción: 40,6 cm (16 pulg.)

1 COLOCAR LA PLANTILLA

💡 CONSEJO: Para calcular la ubicación concreta de la placa mural, pruebe nuestra herramienta HeightFinder disponible en sanus.com [www.sanus.us/1172].

Coloque la plantilla de la placa mural **15** en la pared a la altura que desee. Nivele y marque la ubicación de los orificios.

2 TALADRAR LOS ORIFICIOS

Taladre cuatro orificios guía con una broca de 10 mm (3/8 pulg.) de diámetro. **⚠ IMPORTANTE:** Los orificios guía deben taladrarse hasta una profundidad de 7,6 cm (3 pulg.).

3 RETIRAR LA PLANTILLA

Retire la plantilla de la placa mural **15** y apártela.

4 INSERTAR LOS ANCLAJES

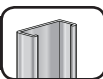
Inserte cuatro anclajes **18**.

5 APRETAR CON FIRMEZA

⚠ PRECAUCIÓN: Evite posibles lesiones físicas y daños materiales. Los cuatro tornillos **17** DEBEN ESTAR ajustados con firmeza para evitar el movimiento no deseado de la placa mural **16**. Asegúrese de que la placa de pared esté bien fijada a la pared antes de continuar con el paso siguiente.

Instale los cuatro pernos tirafondo **17**. Apriételos **17** con firmeza hasta que queden nivelados respecto a la placa mural **16**.

Vaya al PASO 3 en la PÁGINA 19.



⚠ PRECAUCIÓN: Evite posibles lesiones físicas y daños materiales.

- Los montantes deben ser de, al menos, 2x4 / 25 ga
- Si la parte posterior de la pared no está acabada, se deben instalar paneles de yeso en, al menos, uno de los montantes a la izquierda y a la derecha que vayan a emplearse para instalar el soporte
- Los paneles de yeso deben tener un espesor mínimo de 13 mm (1/2 pulg.) en cada lado de los montantes y una holgura mínima de 48 mm (1 7/8 pulg.) por detrás de la pared.
- Este producto debe centrarse en los montantes
- El tipo de montante y la resistencia estructural deben ajustarse a la Normativa norteamericana para el diseño de componentes estructurales de acero forjado en frío [Sección 362 S 125 18, Forma en C, Montante S]
- Los paneles de yeso se deben fijar con tornillos a 304,8 mm (12 pulg.) del centro de los montantes

1 LOCALIZAR LOS MONTANTES

Localice los montantes usando un localizador de montantes.

2 VERIFICAR LOS BORDES DE LOS MONTANTES

Encuentre los bordes de los montantes usando un punzón o una pequeña broca.

3 MARCAR LOS CENTROS DE LOS MONTANTES

Marque los centros de los montantes con un lápiz.

4 COLOCAR LA PLANTILLA

💡 CONSEJO: Para calcular la ubicación concreta de la placa mural, pruebe nuestra herramienta HeightFinder disponible en sanus.com [www.sanus.com /1172].

Coloque la plantilla de la placa mural **15** a la altura que desee y ubique los orificios muescados sobre las líneas centrales del montante. Nivele y marque la ubicación de los orificios.

5 TALADRAR ORIFICIOS EN LOS CENTROS DE LOS MONTANTES

Taladre los cuatro orificios guía con una broca de 13 mm (1/2 pulg.) de diámetro. **⚠ IMPORTANTE:** Los orificios guía deben taladrarse hasta una profundidad de 25 mm (1 pulg.). Retire la plantilla de la placa mural y apártela.

6 INSTALAR LOS ANCLAJES

⚠ PRECAUCIÓN: Asegúrese de que el obturador **(P)** está afianzado contra la superficie de la pared de yeso.

- a. Inserte los cuatro anclajes **(S1)*** en los orificios perforados. b. Tire para girar el anclaje **(S1)*** hacia la pared. c. Sostenga el extremo del anclaje **(S1)***, mientras desliza el obturador **(P)** contra la pared de yeso. d. Separe los extremos del anclaje **(S1)*** para fijar en su lugar.

7 APRETAR CON FIRMEZA

⚠ PRECAUCIÓN: Evite posibles lesiones físicas y daños materiales. Los cuatro tornillos **(S2)** DEBEN ESTAR ajustados con firmeza para evitar el movimiento no deseado de la placa mural **16**. Asegúrese de que la placa de pared esté bien fijada a la pared antes de continuar con el paso siguiente.

Instale los cuatro tornillos **(S2)** y arandelas **(S3)** ajústelos con firmeza hasta que estén a ras contra la placa mural **16**.

PASO 3

Fijar el televisor en la placa mural

PÁGINA 19

1 CUELGUE EL TELEVISOR EN LA PLACA MURAL

⚠ PRECAUCIÓN: Evite posibles lesiones físicas y daños materiales. Para **APLICACIONES EN HORMIGÓN:** Los soportes de televisor **01** y **02** DEBEN estar centrados en la placa mural **16**.

📄 NOTA: Para **APLICACIONES SOBRE MONTANTES DE MADERA**, los soportes de televisor **01** y **02** se pueden deslizar a cualquier parte de la placa **16** para conseguir colocar su televisor en una posición óptima.

2 PRESIONE LA PARTE INFERIOR DEL TELEVISOR PARA FIJARLO

Presione la parte inferior del televisor contra el conjunto de la placa mural **16** hasta que oiga el chasquido de bloqueo que indica que ha colocado el televisor en su sitio.

⚠ PRECAUCIÓN: Evite el riesgo de lesiones y daños materiales. Siempre asegúrese de que las placas de sujeción del televisor estén en la posición bloqueada para que el televisor quede bien sujeto a la placa mural **16**.

Ajustes

PÁGINA 20



NIVEL



ALTURA



DESPLAZADOR LATERAL DEL TELEVISOR

⚠ PRECAUCIÓN: Evite el riesgo de lesiones y daños materiales. DESLICE LENTAMENTE EL TELEVISOR JUNTO CON LA PLACA DE PARED PARA RECOLOCARLO. LA PLACA DE PARED TIENE TOPES INTEGRADOS PARA LIMITAR EL MOVIMIENTO LATERAL.



EXTRACCIÓN DEL TELEVISOR

📄 NOTA: Para volver a colocar el televisor, siga el procedimiento del PASO 3 en la PÁGINA 16.

Solución de problemas

PÁGINA 22

a: Use el separador proporcionado para televisores con partes traseras planas (o bien si quiere que su televisor esté más cerca de la pared).

b: Use el separador proporcionado con el televisor y el separador **12**, **13** o **14** para: televisores con la parte trasera redondeada (irregular) o si necesita espacio adicional para los cables.

Si tiene dudas sobre la selección de las piezas, contacte con el servicio de atención al cliente en el 1-800-359-5520.

⚠ PRECAUCIÓN: Evite posibles lesiones personales y daños materiales. Use la longitud correcta de tornillos para un enrosque adecuado. Si el tornillo es demasiado corto, no sostendrá el televisor. Si es demasiado largo, el televisor se dañará.

Dimensiones

PÁGINA 23

IT'S TIME TO SHOW OFF



When you share your handiwork
with your friends, tag

#sanusspaces

for a chance to be featured in the
Inspiration Gallery on SANUS.com.



SANUS.com
WE MAKE IT EASY



SanusSystems
CHAT WITH US



pinterest.com/Sanus
BE INSPIRED



SanusSystems
WATCH AND LEARN

800-359-5520 • info@sanus.com • SANUS.com

SANUS • 6436 City West Parkway • Eden Prairie, MN 55344 USA

©2018 Milestone AV Technologies. All rights reserved. SANUS is a division of Milestone.

All other brand names or marks are used for identification purposes and are trademarks of their respective owners.

6901-602272 00