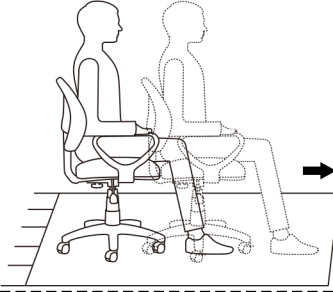


Precautions for the use of swivel chairs:

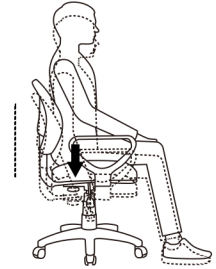
1 Please keep your center of gravity level and **do not tilt or rock** when sitting on the chair, and **do not lean back and forth** to prevent falling;



2 When sliding the seat on uneven, smooth, hard ground (such as carpet), **please hold your chair to stay safe and not fall**;



3 Please keep your center of gravity down when lifting and lowering the product to make it easier to adjust the seat height;

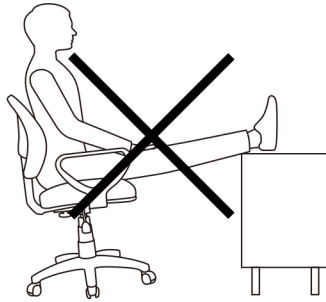


4 Do not use chairs above the maximum load capacity of **300lbs/135kg**;

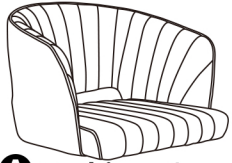


> 300LBS/135KG

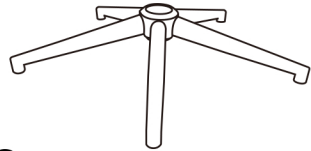
5 Do not lean too much on the backrest to prevent falling;



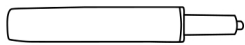
Part List



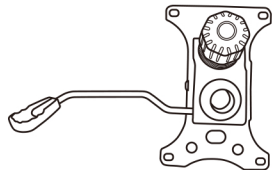
A Cushion×1



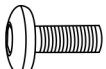
B Base×1



C Gas lift×1



D Adjustment handle×1

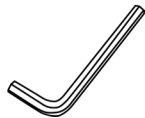


M 6×16

E Screw×4

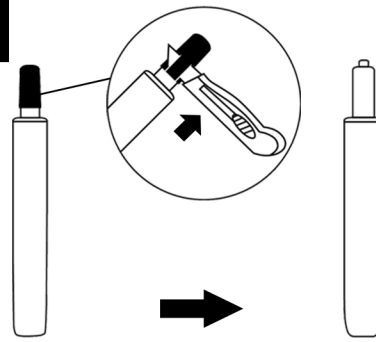


F Wheel×5

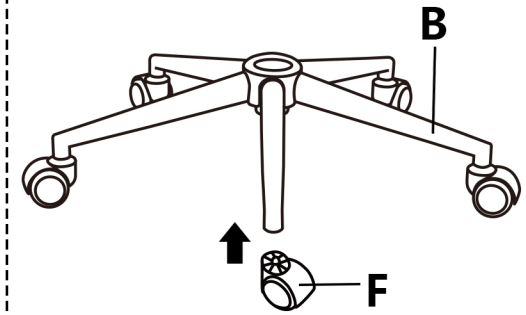


G Wrench×1

1.

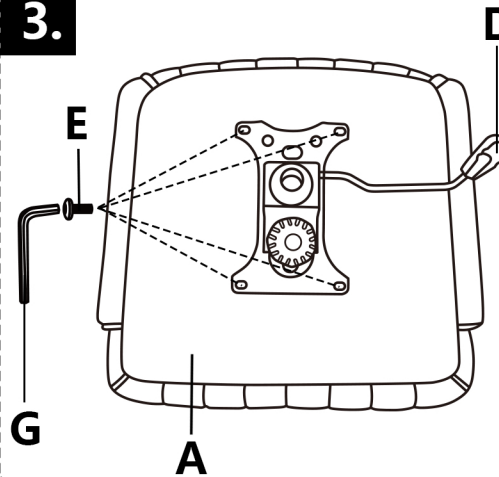


2.

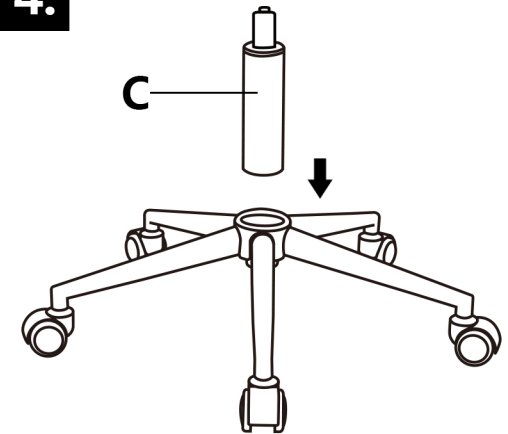


★ **Caution:** Remove the plastic cap before assembly. This is a part of packaging only. Sometimes the cap cracked firmly inside the seat plate, you'd better to remove it by tools like knife scissor.

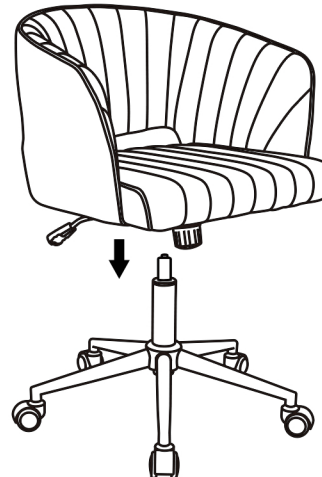
3.



4.



5.



6.

