

INSIGNIA™

36" Espresso Finish Open Frame TV Stand

Base para televisor con armazón abierto de 36 pulg. con acabado expreso

NS-HWD1636



ENGLISH.....	3
ESPAÑOL.....	21

Before using your new product, please read these instructions to prevent any damage.
Antes de usar su producto nuevo, lea estas instrucciones para prevenir cualquier daño.

CONTENTS

ENGLISH	3
SAFETY INFORMATION AND SPECIFICATIONS.....	3
PACKAGE CONTENTS: PARTS.....	4
PACKAGE CONTENTS: HARDWARE.....	5
ASSEMBLY INSTRUCTIONS.....	6
CARE AND MAINTENANCE.....	18
ONE-YEAR LIMITED WARRANTY.....	19
ESPAÑOL	21
INFORMACIÓN DE SEGURIDAD Y ESPECIFICACIONES.....	21
CONTENIDO DEL PAQUETE: PIEZAS.....	22
CONTENIDO DEL PAQUETE: FERRETERÍA.....	23
INSTRUCCIONES DE MONTAJE.....	24
CUIDADO Y MANTENIMIENTO.....	36
GARANTÍA LIMITADA DE UN AÑO.....	37

ENGLISH

SAFETY INFORMATION AND SPECIFICATIONS



CAUTION: The top surface of this stand is designed for use with a product weighing no more than 50 lbs. (22.68 kg) and having a width that permits it to sit evenly on the stand with no more than a one-inch overhang on each side of the shelf. Use with products that weigh more than the maximum weight allowed, or with dimensions that extend beyond the maximum width may result in instability, which may result in injury.



CAUTION: This product contains small items that could be a choking hazard if swallowed.

Keep these items away from young children!

Model #: NS-HWD1636

Maximum Supported Weights:

- **Top shelf:** 50 lbs. (22.68 kg)
- **Middle shelf:** 20 lbs. (9 kg)
- **Bottom shelf:** 30 lbs. (13.6 kg)

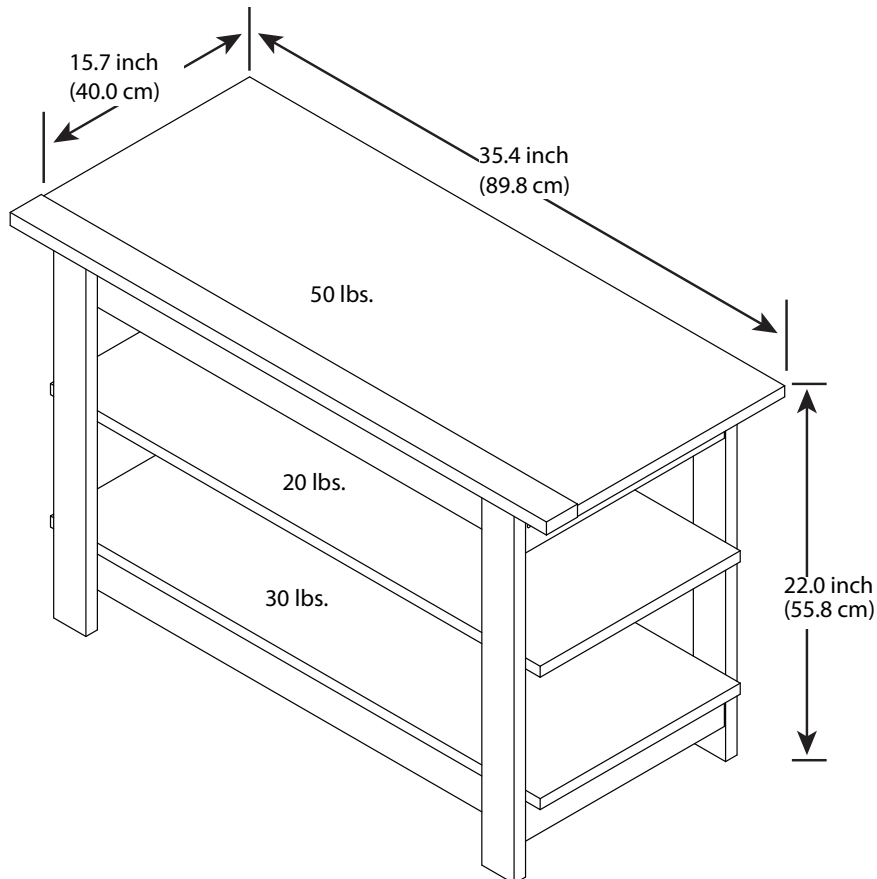
Maximum screen size: 40" diagonal

Overall dimensions (H x W x D):

22.0 x 35.4 x 15.7 in.

(55.8 x 89.8 x 40.0 cm)

Overall weight: 40 Lbs. (18.14 kg)



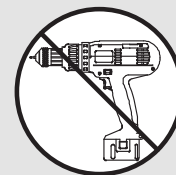
Tools needed:



Phillips screwdriver



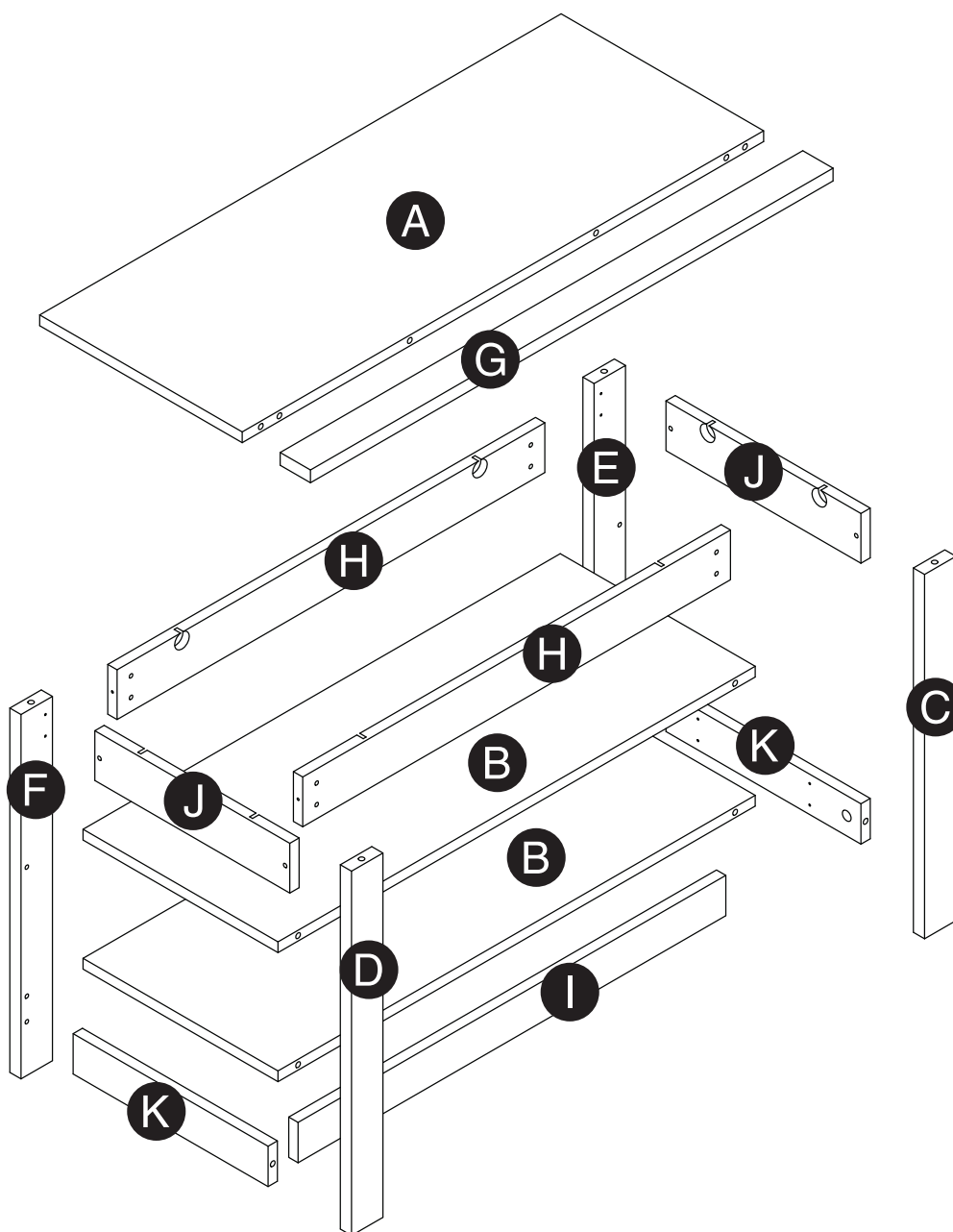
Hammer



PACKAGE CONTENTS: PARTS



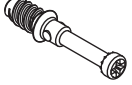
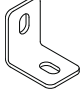


Make sure that you have all the parts necessary to assemble your new TV stand. While not all parts are labeled, some of the parts will have a label or an inked letter on the edge to help distinguish similar parts from each other. Use this part identification to help identify similar parts.


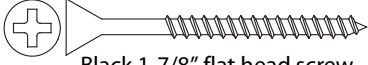
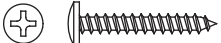
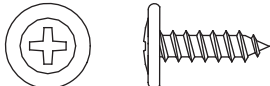
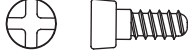
Label	Part	Qty	Label	Part	Qty
A	Top	1	G	Stop Molding	1
B	Shelf	2	H	Upper Long Skirt	2
C	Right Front Leg	1	I	Lower Long Skirt	1
D	Left Front Leg	1	J	Upper Short Skirt	2
E	Right Rear Leg	1	K	Lower Short Skirt	2
F	Left Rear Leg	1			

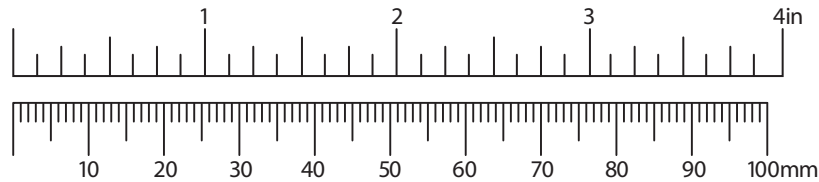


PACKAGE CONTENTS: HARDWARE

Note: The table below shows the required hardware. You may receive extra hardware. Make sure that you have all the hardware necessary to assemble your new TV stand.

Label	Hardware	Qty.
5F	 Hidden connector	8
1F	 Hidden cam	10
8F	 Cam screw	10
4G	 Metal bracket	7
15F	 Wood dowel	6
20P	 Screw cover	10

Label	Hardware	Qty.
1L	 Warning label	1
2S	 Black 1-7/8" flat head screw	10
9S	 Black 1-1/8" pan head screw	8
1S	 Black 9/16" large head screw	14
8S	 Connector screw	8



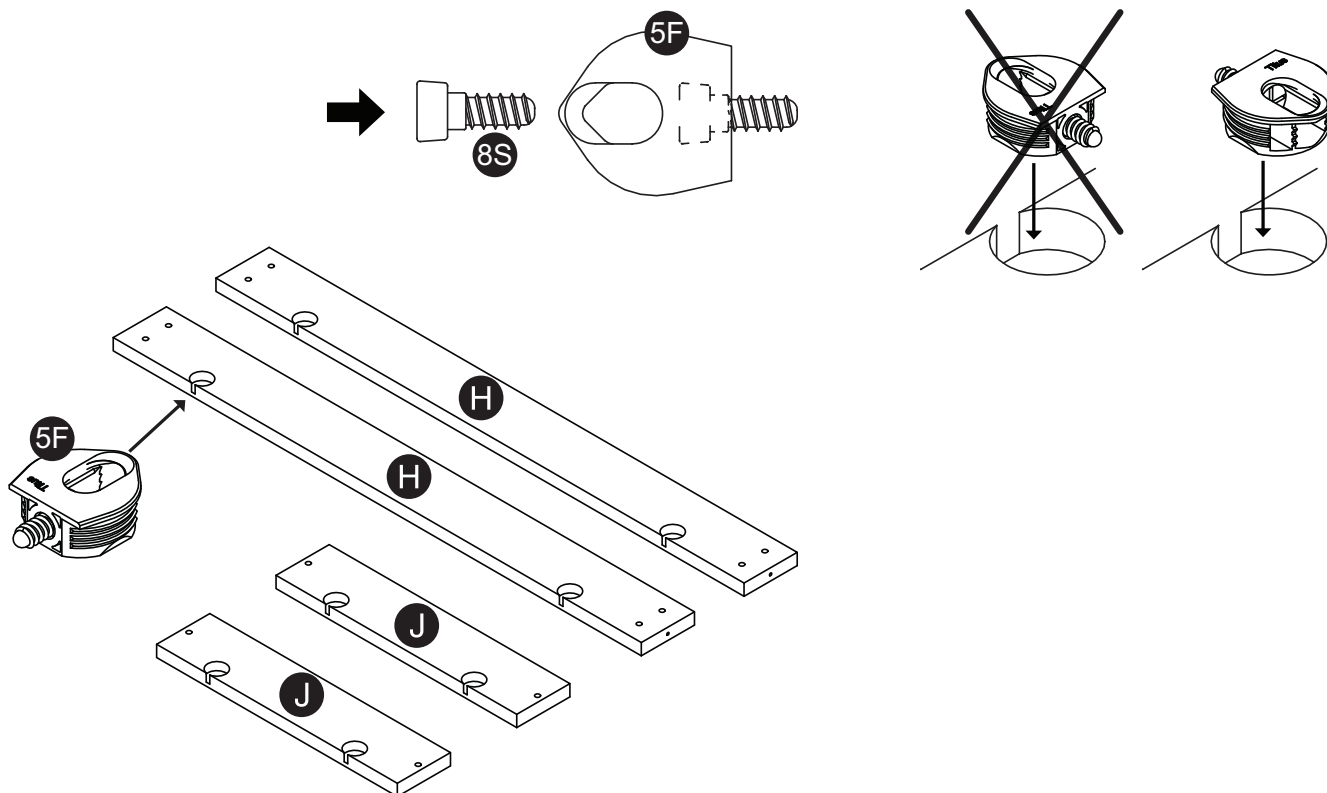
ASSEMBLY INSTRUCTIONS

Step 1: Preparing the upper skirts

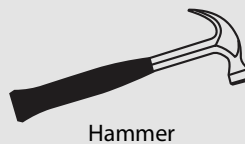
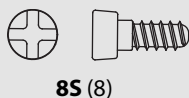
Caution: Assemble your stand on a carpeted floor or on the empty carton to avoid scratching your stand.

- Insert a connector screw (8S) into each hidden connector (5F), then use a hammer to tap a hidden connector and screw assembly into the large holes in the upper long skirts (H) and upper short skirts (J).

Note: Make sure that the threads in the connector screws (8S) are pointing straight out, away from the wood part.

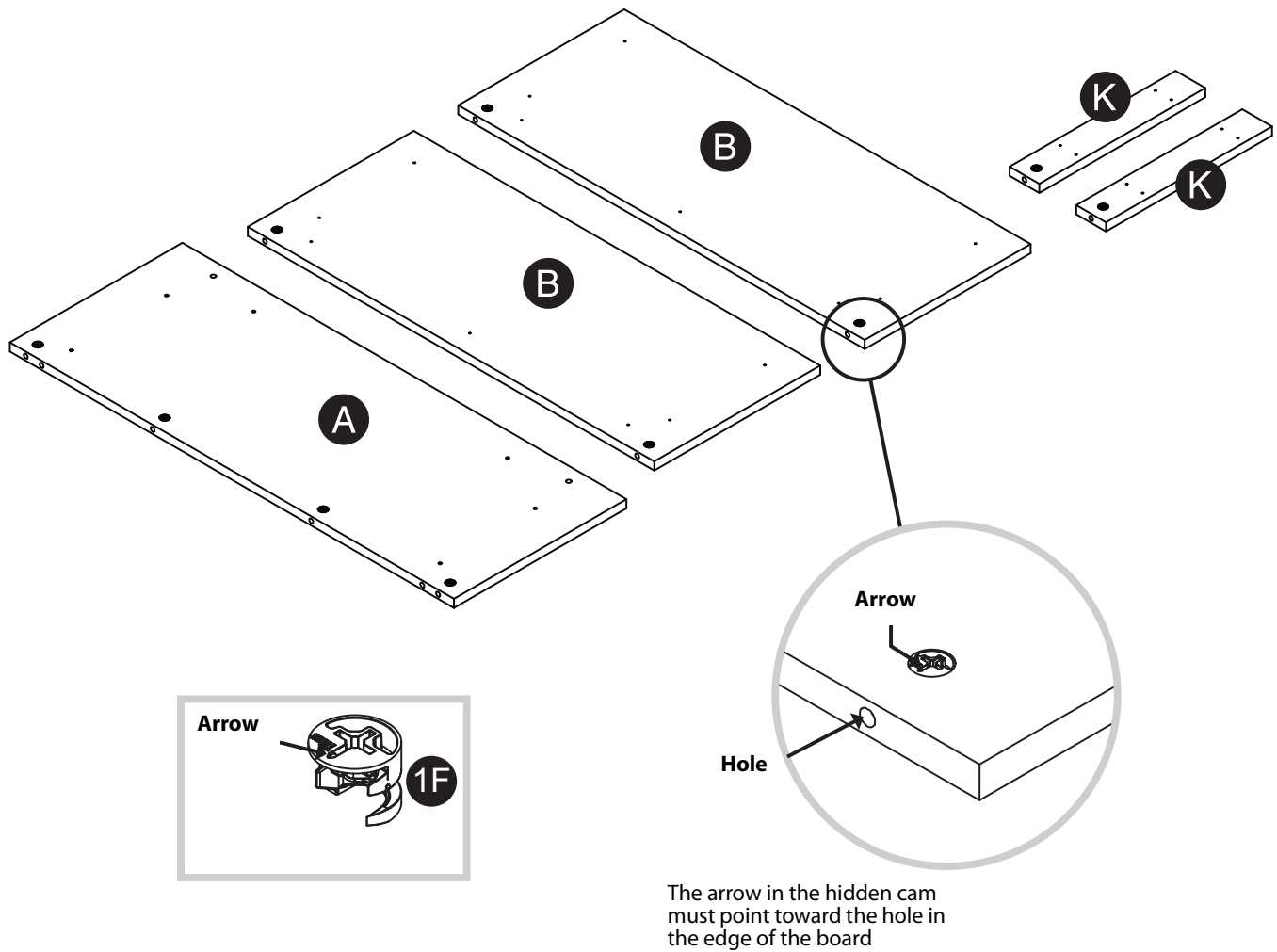


You'll need:



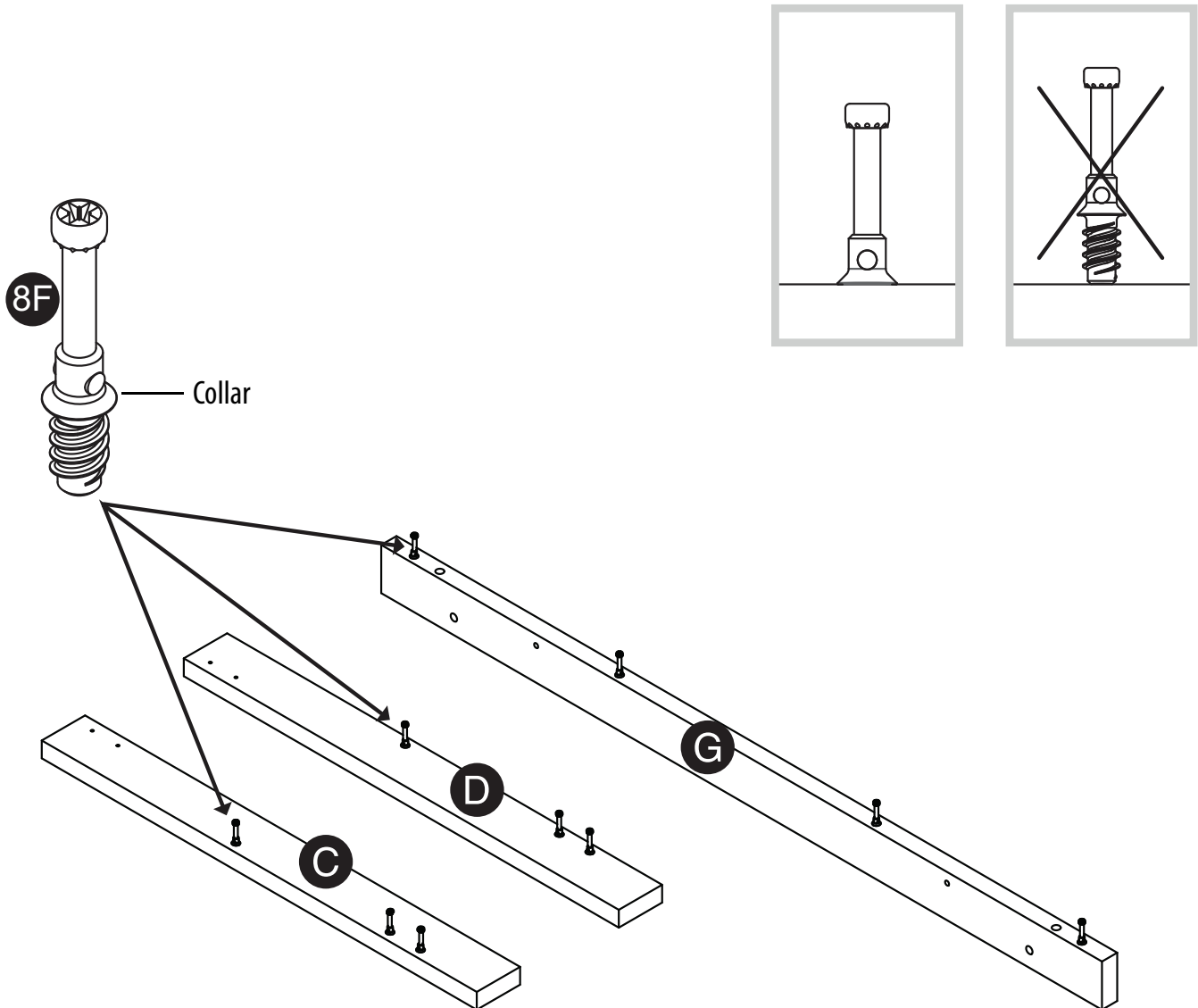
Step 2: Preparing the top, shelves, and lower short skirts

- Push ten hidden cams (1F) into the top (A), shelves (B), and lower short skirts (K). The arrow on the hidden cams must point toward the hole in the edge of the part.

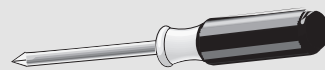
**You'll need:****1F (10)**

Step 3: Preparing the stop molding

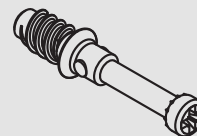
- Screw ten cam screws (**8F**) into the predrilled holes in the front legs (**C** and **D**) and stop molding (**G**), then tighten with a phillips screw driver until the raised collar of the cam screw (**8F**) is flush with the surface of the part.



You'll need:



Phillips screwdriver



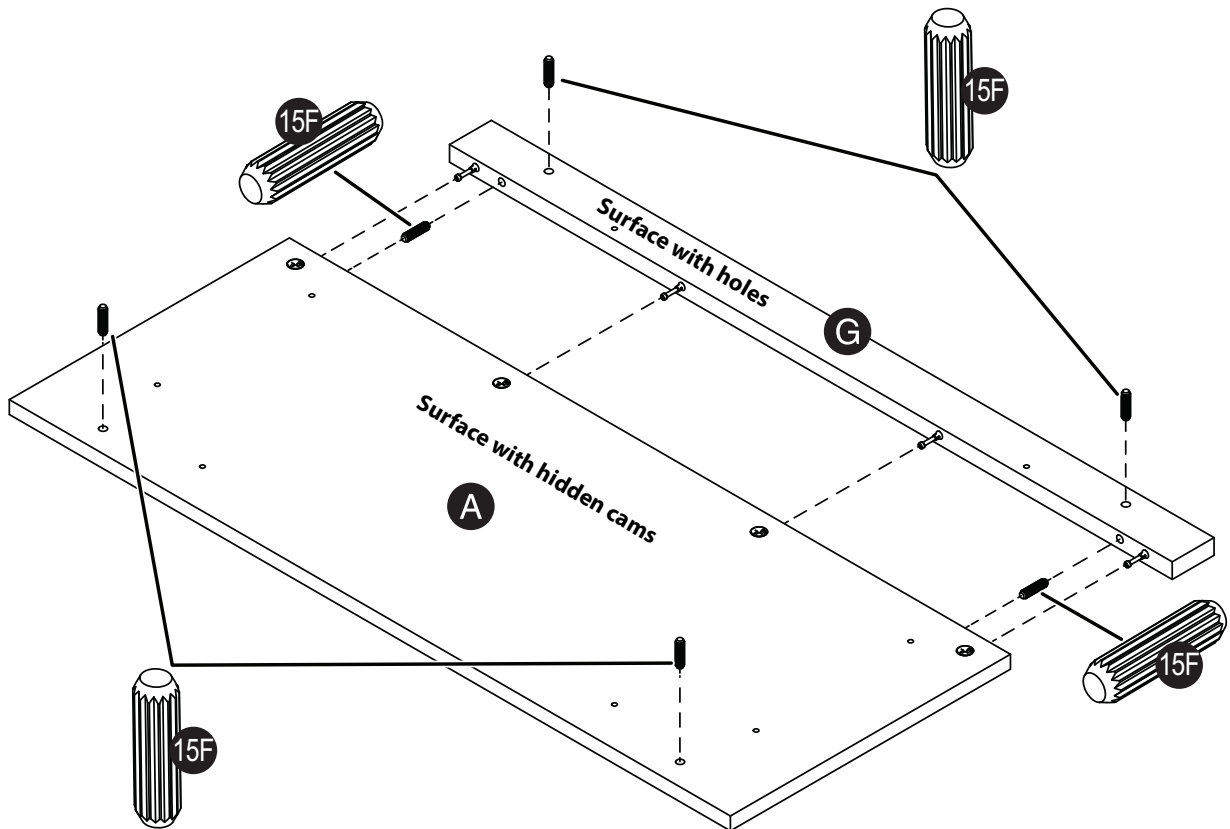
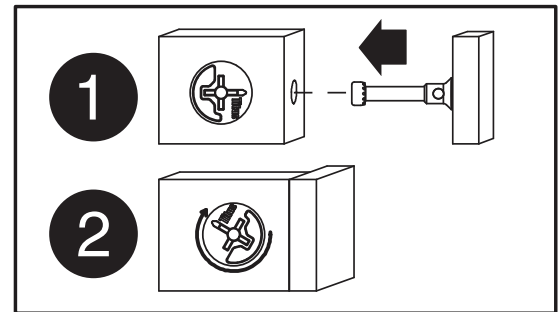
8F (10)

Step 4: Attaching the stop molding to the top

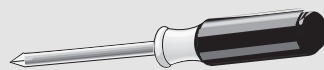
- 1 Insert two wooden dowels (15F) into the holes in the edge of the stop molding (G).
- 2 Insert the cam screw and dowel end of the stop molding (G) into the holes on the top (A).

Note: Make sure that the wooden dowels in the stop molding insert into the holes in the top, and that the dowel end of the fastener remains fully inserted in the hole of the adjoining part while locking the fastener.

- 3 Tighten each hidden cam with a Phillips screwdriver as tight as possible.
- 4 Insert four wooden dowels (15F) into the holes shown in the surfaces of the top (A) and stop molding (G).



You'll need:



Phillips screwdriver

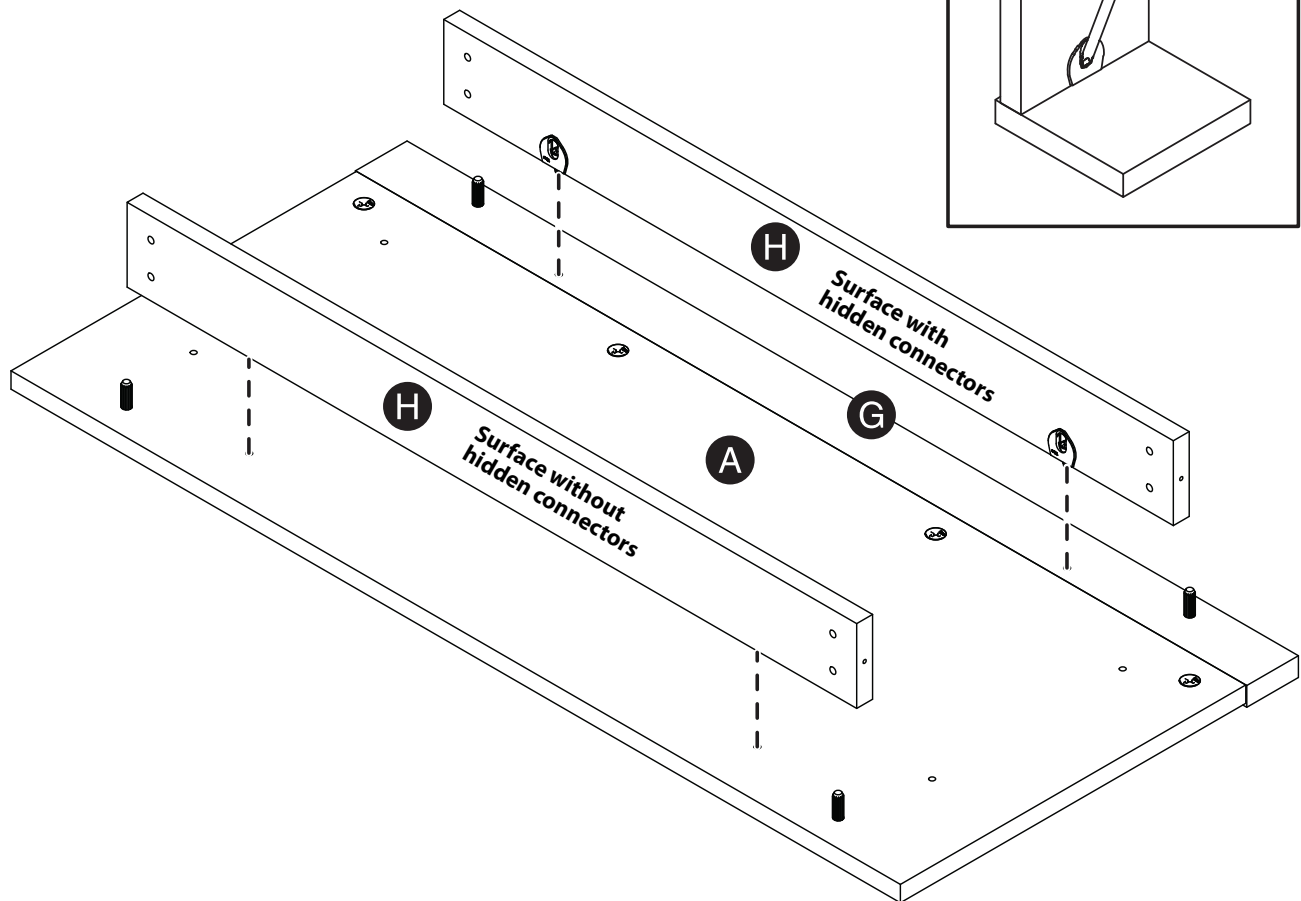
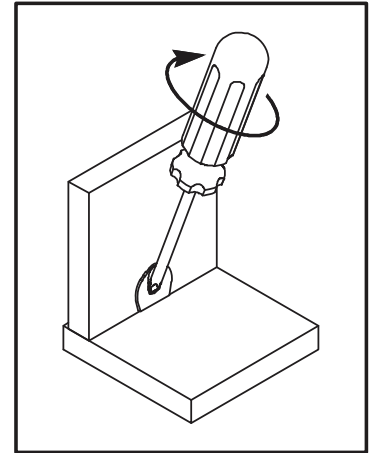


15F (6)

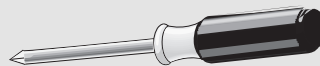
Step 5: Attaching the upper long skirts to the top

- Attach the upper long skirts (H) to the top (A) and stop molding (G), then tighten the four hidden connectors.

To fasten two parts together using the hidden connectors, insert your screwdriver at an angle into the slot in the hidden connector. While pushing the screw into the hole of the adjoining part, turn the screwdriver clockwise to tighten. Do not overtighten.



You'll need:

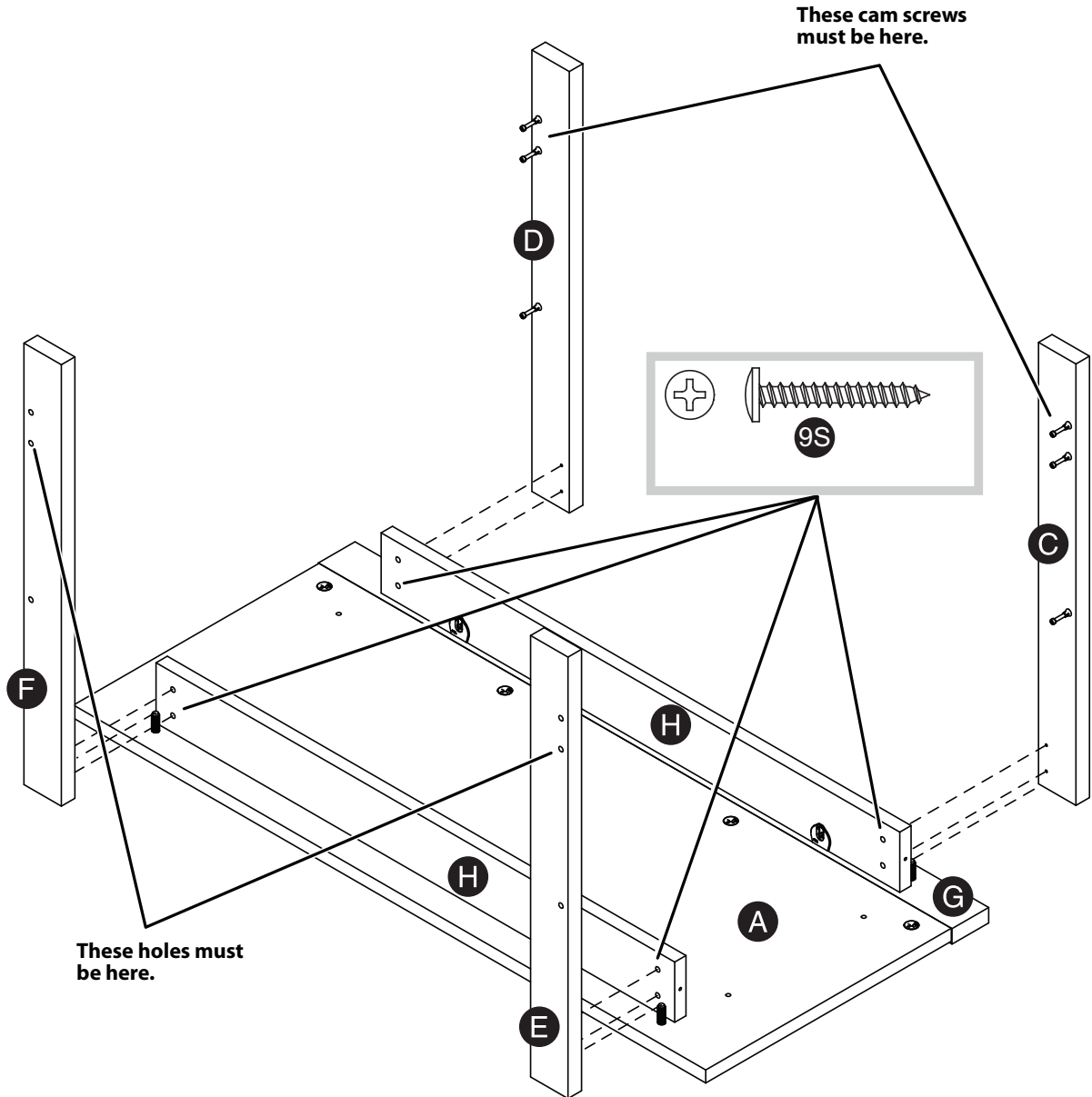


Phillips screwdriver

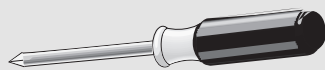
Step 6: Attaching the legs

- 1 Place the legs (**C**, **D**, **E**, and **F**) onto the wooden dowels (**15F**) in the top (**A**) and stop molding (**G**).
- 2 Attach the the legs (**C**, **D**, **E**, and **F**) to the upper long skirts (**H**) with black 1-1/8" pan head screws (**9S**).

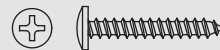
Tip: Make sure the screw holes are aligned.



You'll need:



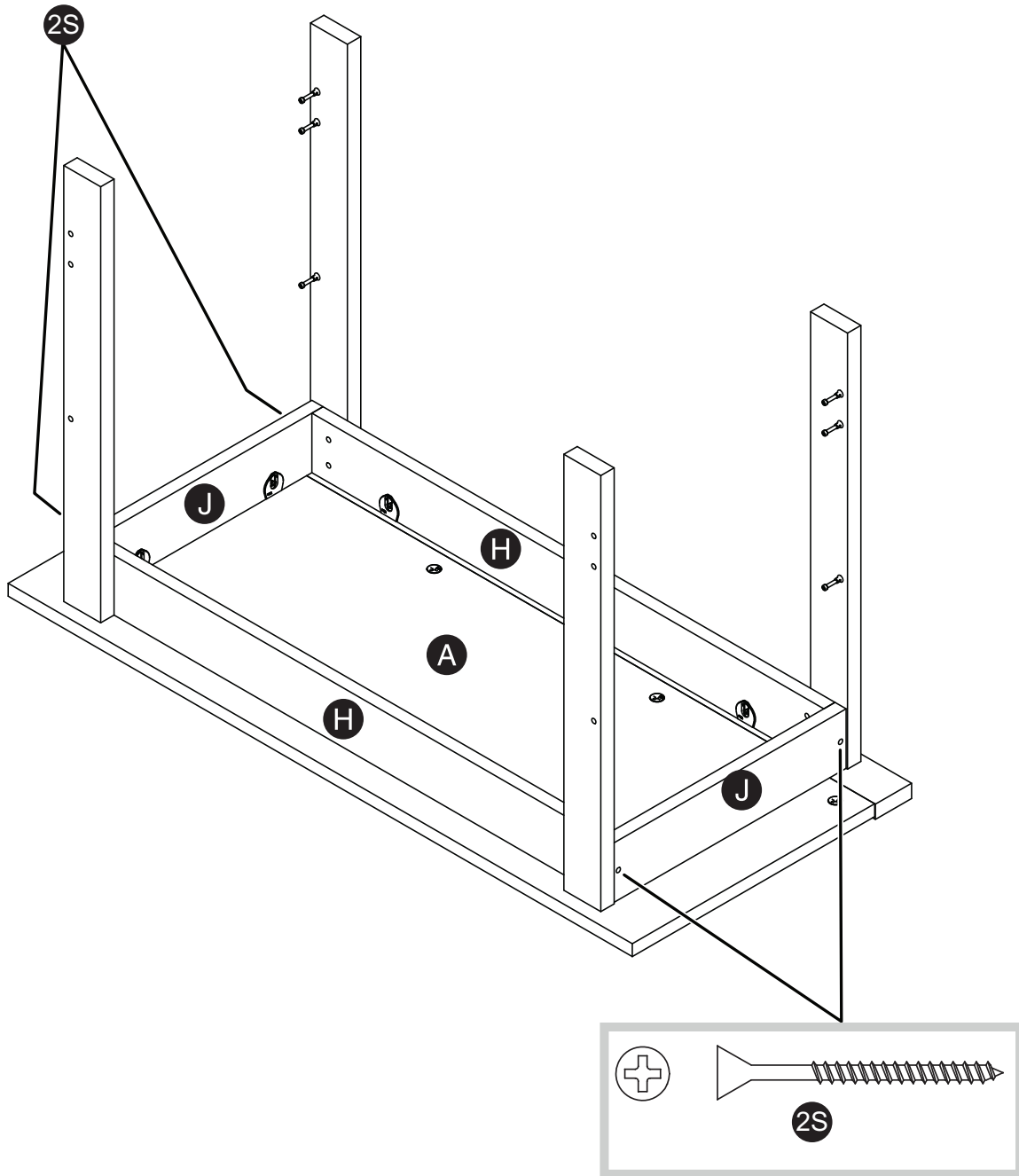
Phillips screwdriver



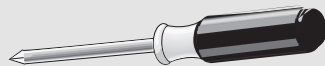
9S (8)

Step 7: Attaching the upper short skirts

- 1 Attach the upper short skirts (J) to the top (A), then tighten the four hidden connectors.
- 2 Attach the upper short skirts (J) to the upper long skirts (H) with four black 1-7/8" flat head screws (2S).



You'll need:



Phillips screwdriver



2S (4)

Step 8: Attaching the middle shelf

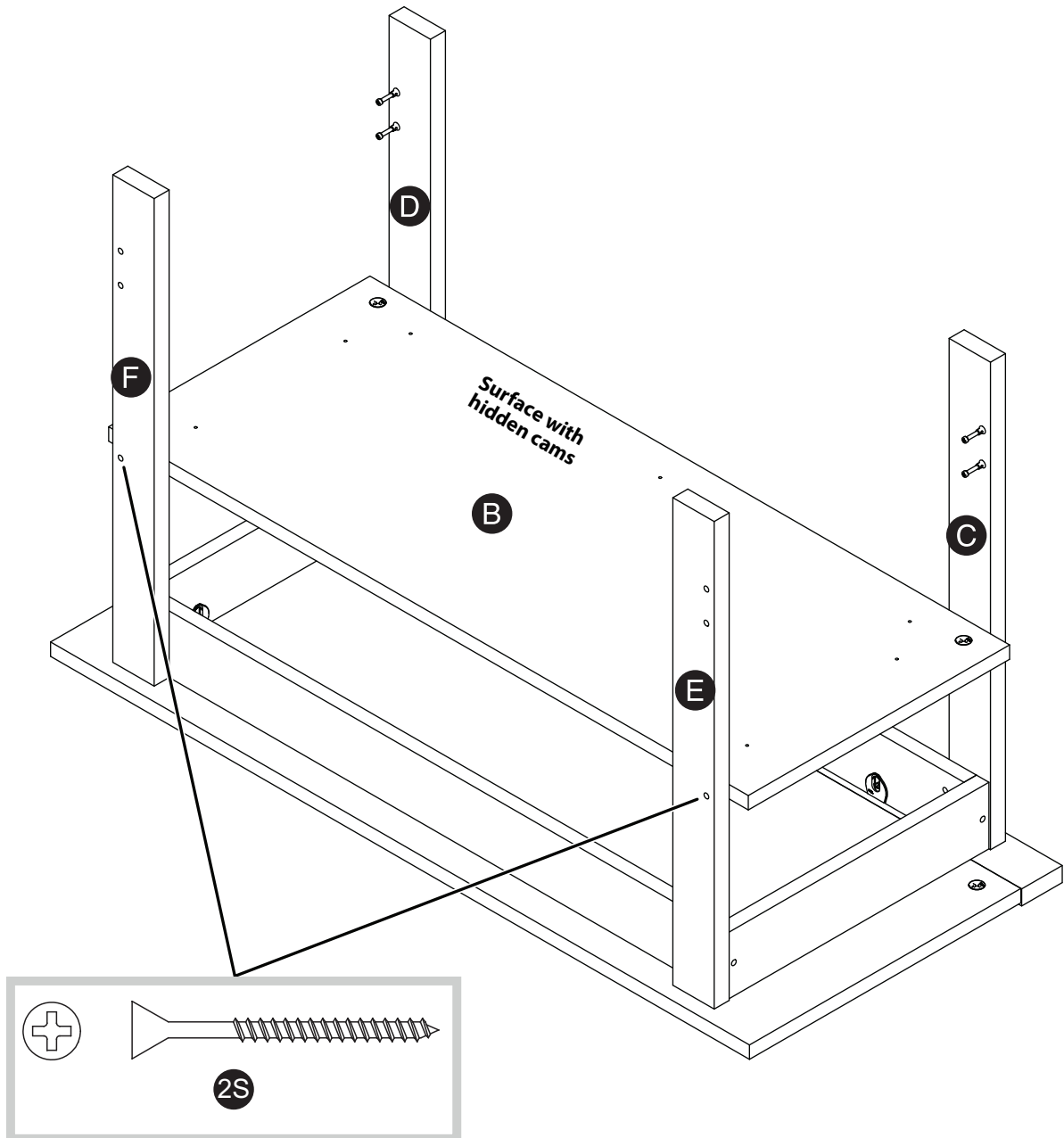
- 1 Attach the middle shelf (B) to the front legs (C and D), then tighten the two hidden cams on the shelf.

Notes:

You will need to tilt the shelf onto the cam screws in the front legs.

Make sure that the holes in the back legs (E and F) line up with the holes in the edge of the shelf (B).

- 2 Attach the shelf (B) to the back legs (E and F) with two black 1-7/8" flat head screws (2S).



You'll need:



Phillips screwdriver



2S (2)

Step 9: Attaching the bottom shelf

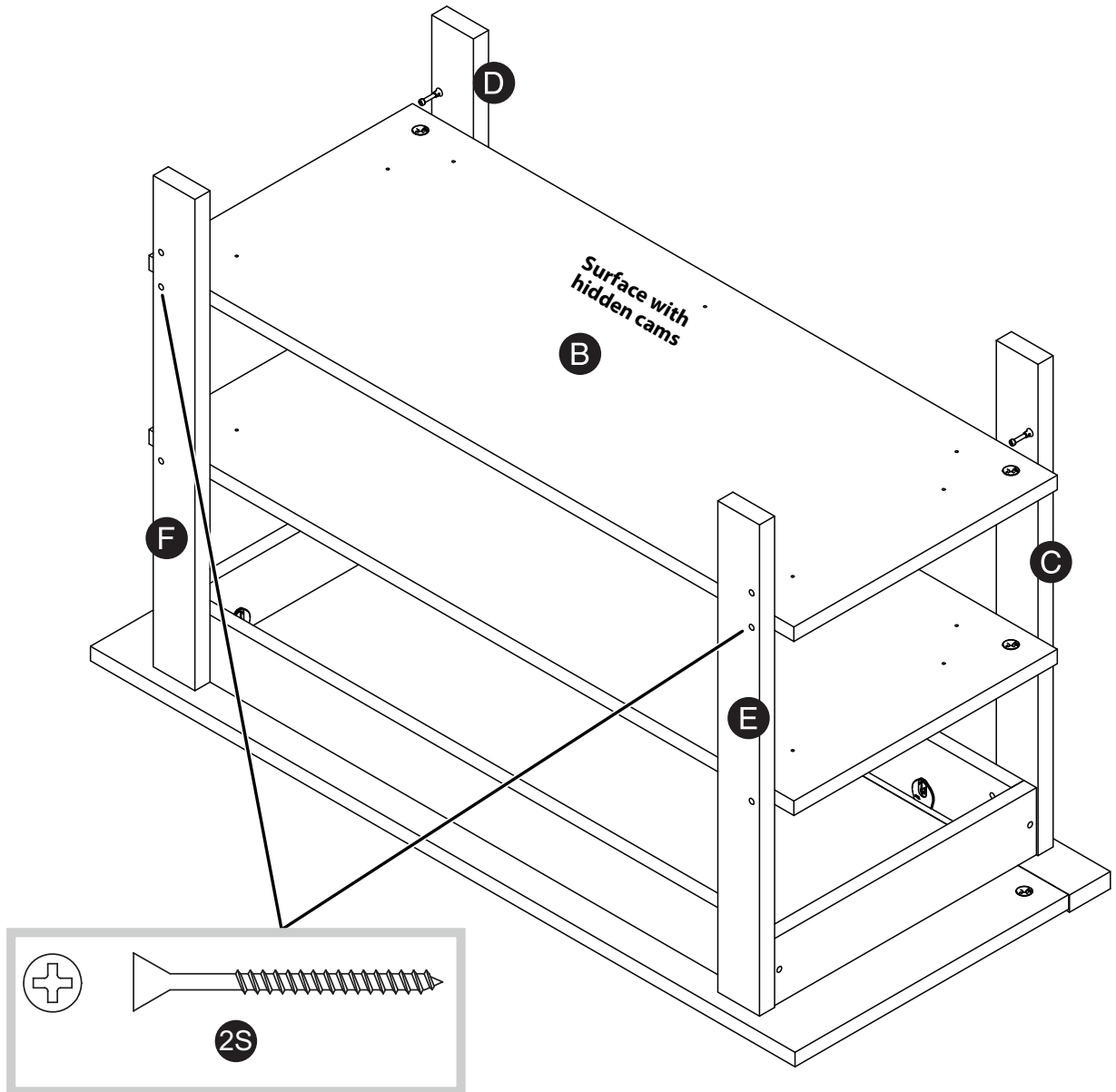
- 1 Attach the bottom shelf (B) to the front legs (C and D), then tighten the two hidden cams on the shelf.

Notes:

You will need to tilt the shelf onto the cam screws in the front legs.

Make sure that the holes in the back legs (E and F) line up with the holes in the edge of the shelf (B).

- 2 Attach the shelf (B) to the back legs (E and F) with two black 1-7/8" flat head screws (2S).



You'll need:



Phillips screwdriver



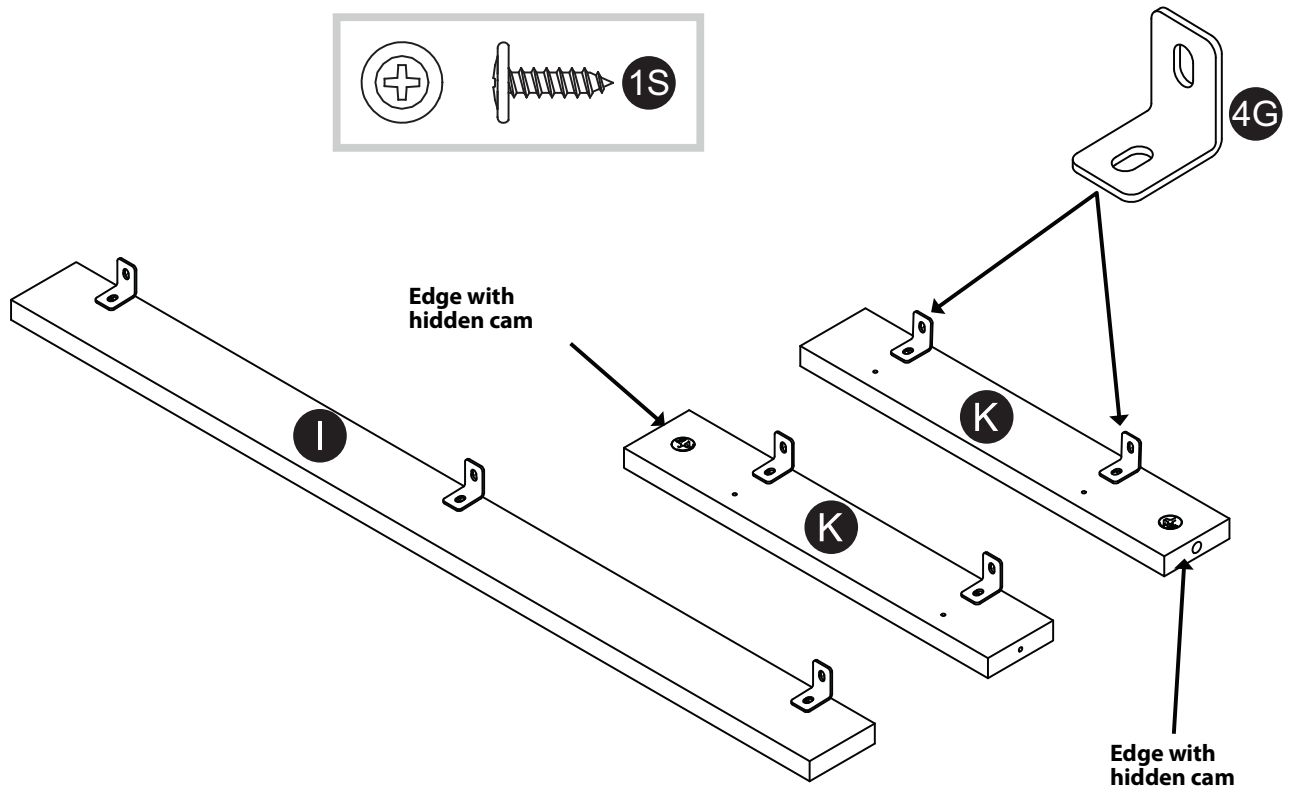
2S (2)

Step 10: Preparing the lower skirts

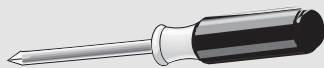
- Fasten the metal brackets (4G) to the lower skirts (I and K) with the black 9/16" large head screws (1S).

Note: Make sure that the brackets are even with the edges of the lower skirts.

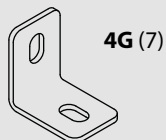
Note: Use the exact holes shown in the illustration.



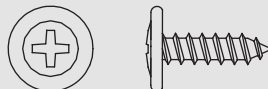
You'll need:



Phillips screwdriver



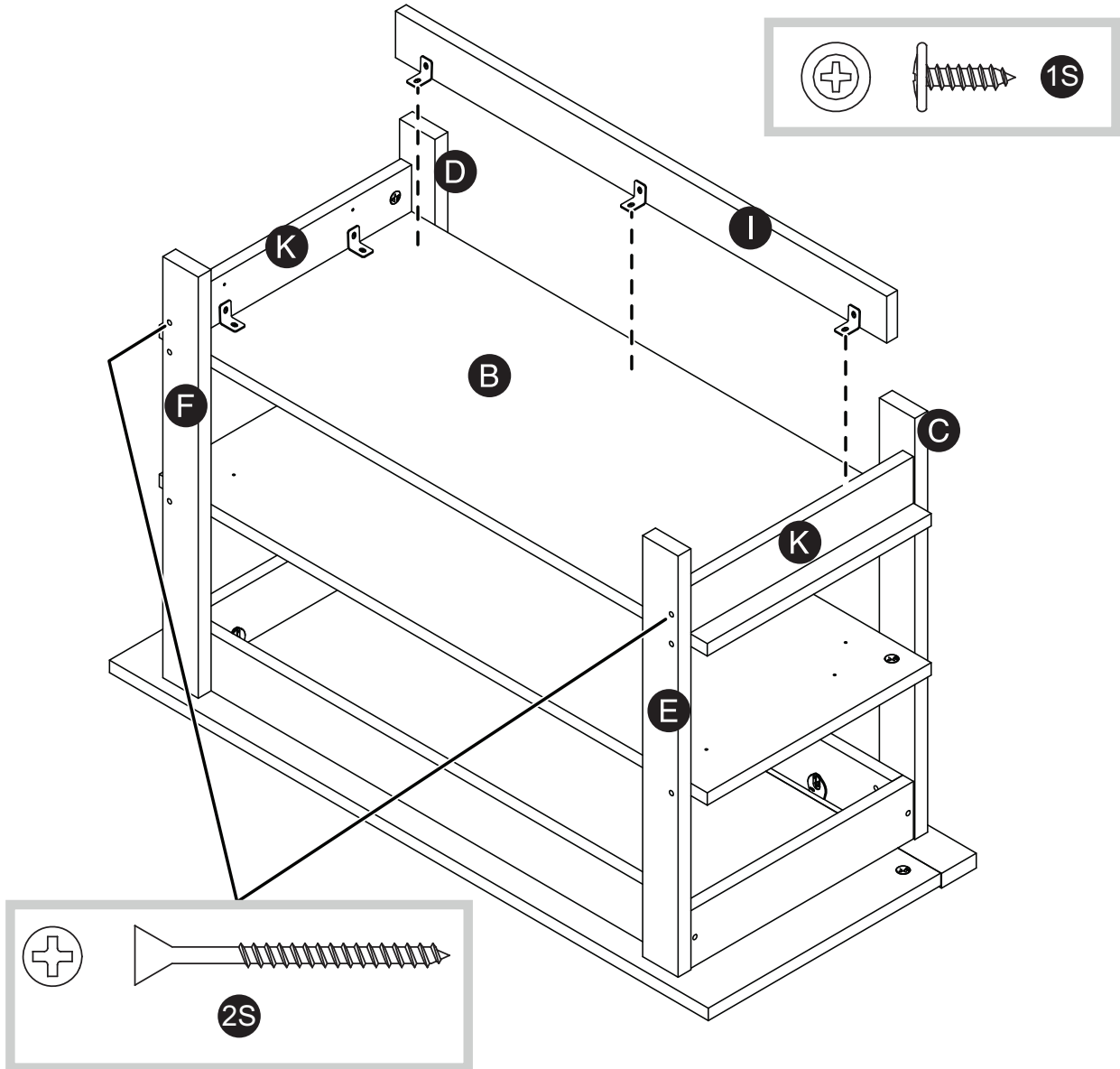
4G (7)



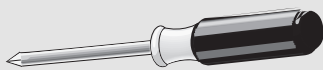
1S (7)

Step 11: Attaching the lower skirts

- 1 Attach the lower short skirts (**K**) to the front legs (**C** and **D**), then tighten the two hidden cams.
- 2 Attach the lower short skirts (**K**) to the back legs (**E** and **F**) with two black 1-7/8" flat head screws (**2S**).
- 3 Attach the skirts (**I** and **K**), finished side out, to the bottom shelf (**B**) with black 9/16" large head screws (**1S**) through the metal brackets into the shelf.



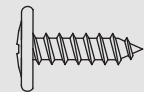
You'll need:



Phillips screwdriver



2S (2)



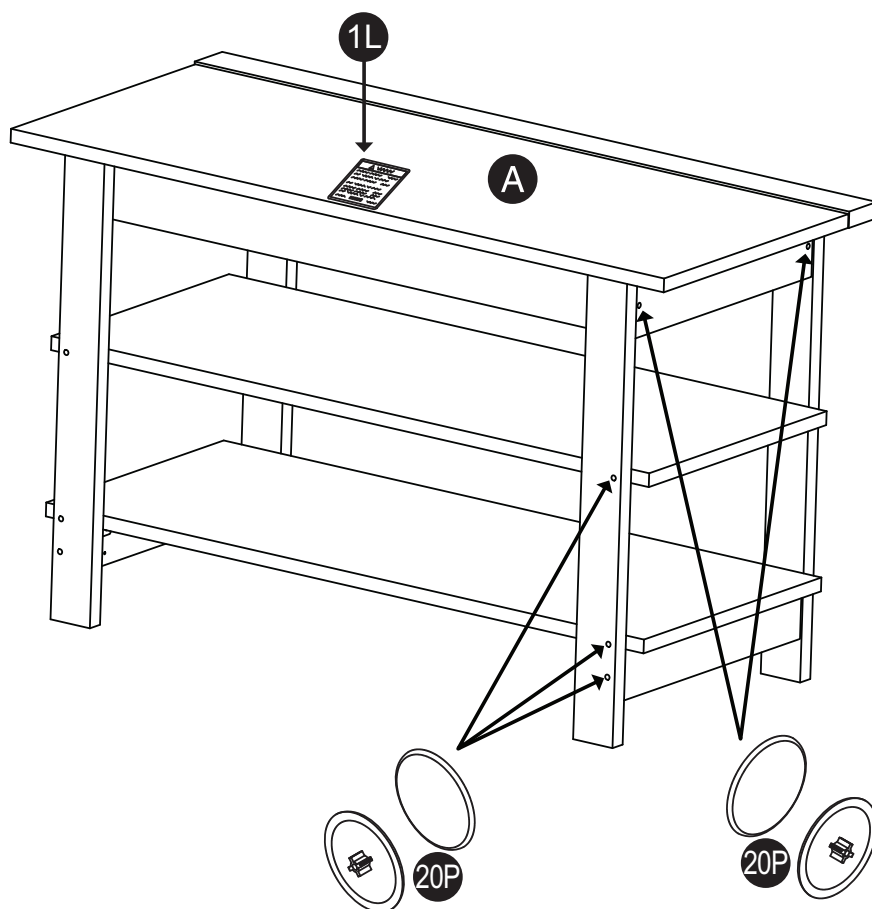
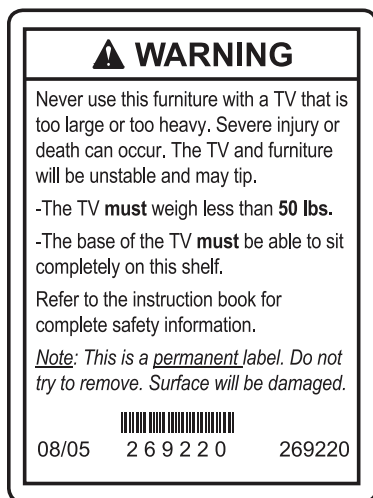
1S (7)

Step 12: Completing the TV stand

- 1 Carefully stand your unit upright.
- 2 Center a screw cover (**20P**) over the head of each visible screw and press firmly.
- 3 Apply the warning label (**1L**) to the top (**A**) so that it is readable only when the TV is removed from the unit. Peel off the back of the label and apply it to the top as shown.

Note: This is a permanent label intended to last for the life of the product. After it is applied, do not try to remove it.

This completes the assembly of your TV stand. Clean with your favorite furniture polish or a damp cloth, then wipe dry.



You'll need:



1L (1)

20P (10)

CARE AND MAINTENANCE

Wood/Laminate

- Use your favorite type of furniture polish.
- Do not spray polish directly onto the stand. Spray onto a soft cloth then wipe the stand.
- Always test any polish in a discrete location first, such as the back of the stand, to make sure that there is no adverse reaction.
- Dust frequently with a soft cloth.
- Never slide objects across surfaces. Lift objects from the top surface rather than dragging them across the finish when moving them.
- Do not expose your stand to direct sunlight, drying heat sources, or dampness.

 **WARNING**

Please use your stand correctly and safely. Improper use can cause safety hazards or damage to your furniture or household items. *Carefully read the following chart.*

Look out for:	What can happen:	How to avoid the problem:
<ul style="list-style-type: none"> • Children climbing on the stand. • A child may try to reach a toy or other object by climbing on the stand. • Children will play and be active near the TV. 	<ul style="list-style-type: none"> • Risk of injury or death. • A child climbing on the stand can make it top-heavy and cause it to tip over. • A child playing with a TV can cause it to tip over. 	<ul style="list-style-type: none"> • Never allow children to climb on or play with the stand. • Do not place toys or food on the top shelves. Children may try to climb to reach them out of curiosity.
<ul style="list-style-type: none"> • Improper use of the stand to support TVs. • The stand is designed for use with TVs will specify the maximum weight rating and recommended size of the TVs it will safely support. 	<ul style="list-style-type: none"> • Risk of injury or death. • TVs can be very heavy. Note, older CRT TVs tend to be unbalanced and prone to tipping forward. 	<ul style="list-style-type: none"> • A TV must only be set on furniture specifically designed to support a television. • Never use a TV that exceeds the weight ratings or size guidelines specified for the stand.
<ul style="list-style-type: none"> • Overloaded shelves 	<ul style="list-style-type: none"> • Risk of injury. • Top-heavy furniture can tip over. • Overloaded shelves can break. 	<ul style="list-style-type: none"> • Never exceed the weight limits shown in the instructions. • Work from the bottom to the top when loading shelves. • The middle shelf can only support 20 lbs. and the bottom shelf can only support 30 lbs. The top can support 50 lbs.
<ul style="list-style-type: none"> • Improperly moving the stand. 	<ul style="list-style-type: none"> • The stand can tip over or break if improperly moved. • Risk of injury. 	<ul style="list-style-type: none"> • Unload shelves from the top to the bottom before moving the stand. • Do not push the stand, especially on a carpeted floor. Have a friend help you lift the item and set it in place. • Do not lift the stand using the top shelf. Lift from the frame or leg assembly. • Remove the TV before moving the TV stand.

ONE-YEAR LIMITED WARRANTY

Definitions:

The Distributor* of Insignia branded products warrants to you, the original purchaser of this new Insignia-branded product ("Product"), that the Product shall be free of defects in the original manufacturer of the material or workmanship for a period of one (1) year from the date of your purchase of the Product ("Warranty Period").

For this warranty to apply, your Product must be purchased in the United States or Canada from a Best Buy branded retail store or online at www.bestbuy.com or www.bestbuy.ca, and is packaged with this warranty statement.

How long does the coverage last?

The Warranty Period lasts for 1 year (365 days) from the date you purchased the Product. Your purchase date is printed on the receipt you received with the Product.

What does this warranty cover?

During the Warranty Period, if the original manufacture of the material or workmanship of the Product is determined to be defective by an authorized Insignia repair center or store personnel, Insignia will (at its sole option): (1) repair the Product with new or rebuilt parts; or (2) replace the Product at no charge with new or rebuilt comparable products or parts. Products and parts replaced under this warranty become the property of Insignia and are not returned to you. If service of Products or parts are required after the Warranty Period expires, you must pay all labor and parts charges. This warranty lasts as long as you own your Insignia Product during the Warranty Period. Warranty coverage terminates if you sell or otherwise transfer the Product.

How to obtain warranty service?

If you purchased the Product at a Best Buy retail store location, please take your original receipt and the Product to any Best Buy store. Make sure that you place the Product in its original packaging or packaging that provides the same amount of protection as the original packaging. If you purchased the Product from a Best Buy online web site (www.bestbuy.com or www.bestbuy.ca), mail your original receipt and the Product to the address listed on the web site. Make sure that you put the Product in its original packaging or packaging that provides the same amount of protection as the original packaging.

To obtain warranty service, in the United States call 1-888-BESTBUY or in Canada call 1-866-BESTBUY. Call agents may diagnose and correct the issue over the phone.

Where is the warranty valid?

This warranty is valid only in the United States and Canada at Best Buy branded retail stores or websites to the original purchaser of the product in the county where the original purchase was made.

What does the warranty not cover?

This warranty does not cover:

- Customer instruction/education
- Installation
- Set up adjustments
- Cosmetic damage
- Damage due to weather, lightning, and other acts of God, such as power surges
- Accidental damage
- Misuse
- Abuse
- Negligence
- Commercial purposes/use, including but not limited to use in a place of business or in communal areas of a multiple dwelling condominium or apartment complex, or otherwise used in a place of other than a private home.
- Modification of any part of the Product, including the antenna

- Display panel damaged by static (non-moving) images applied for lengthy periods (burn-in).
- Damage due to incorrect operation or maintenance
- Connection to an incorrect voltage or power supply
- Attempted repair by any person not authorized by Insignia to service the Product
- Products sold "as is" or "with all faults"
- Consumables, including but not limited to batteries (i.e. AA, AAA, C etc.)
- Products where the factory applied serial number has been altered or removed
- Loss or Theft of this product or any part of the product
- Display panels containing up to three (3) pixel failures (dots that are dark or incorrectly illuminated) grouped in an area smaller than one tenth (1/10) of the display size or up to five (5) pixel failures throughout the display. (Pixel based displays may contain a limited number of pixels that may not function normally.)
- Failures or Damage caused by any contact including but not limited to liquids, gels or pastes.

REPAIR REPLACEMENT AS PROVIDED UNDER THIS WARRANTY IS YOUR EXCLUSIVE REMEDY FOR BREACH OF WARRANTY. INSIGNIA SHALL NOT BE LIABLE FOR ANY INCIDENTAL OR CONSEQUENTIAL DAMAGES FOR THE BREACH OF ANY EXPRESS OR IMPLIED WARRANTY ON THIS PRODUCT, INCLUDING, BUT NOT LIMITED TO, LOST DATA, LOSS OF USE OF YOUR PRODUCT, LOST BUSINESS OR LOST PROFITS. INSIGNIA PRODUCTS MAKES NO OTHER EXPRESS WARRANTIES WITH RESPECT TO THE PRODUCT, ALL EXPRESS AND IMPLIED WARRANTIES FOR THE PRODUCT, INCLUDING, BUT NOT LIMITED TO, ANY IMPLIED WARRANTIES OF AND CONDITIONS OF MERCHANTABILITY AND FITNESS FOR A PARTICULAR PURPOSE, ARE LIMITED IN DURATION TO THE WARRANTY PERIOD SET FORTH ABOVE AND NO WARRANTIES, WHETHER EXPRESS OR IMPLIED, WILL APPLY AFTER THE WARRANTY PERIOD. SOME STATES, PROVINCES AND JURISDICTIONS DO NOT ALLOW LIMITATIONS ON HOW LONG AN IMPLIED WARRANTY LASTS, SO THE ABOVE LIMITATION MAY NOT APPLY TO YOU. THIS WARRANTY GIVES YOU SPECIFIC LEGAL RIGHTS, AND YOU MAY ALSO HAVE OTHER RIGHTS, WHICH VARY FROM STATE TO STATE OR PROVINCE TO PROVINCE.

Contact Insignia:

For customer service please call 1-877-467-4289

www.insigniaproducts.com

INSIGNIA is a trademark of Best Buy and its affiliated companies.

Distributed by Best Buy Purchasing, LLC

©2015 Best Buy. All rights reserved.

Made in USA with U.S. and imported materials

ESPAÑOL

INFORMACIÓN DE SEGURIDAD Y ESPECIFICACIONES



CUIDADO: la parte superior de esta base está diseñada para utilizarse con productos de un peso máximo de 50 lb (22.68 kg) y teniendo un ancho que le permita asentarse de manera uniforme con un saliente no mayor de una pulgada a cada lado de la repisa. El uso con otros productos o con productos que pesen más de lo especificado o que se sobrepasen del ancho máximo puede crear inestabilidad y causar posibles lesiones.



CUIDADO: este producto contiene piezas pequeñas que representan un peligro de asfixia si se tragan. ¡Mantenga estas piezas alejadas de los niños!

N.º de modelo: NS-HWD1636

Pesos máximos admitidos:

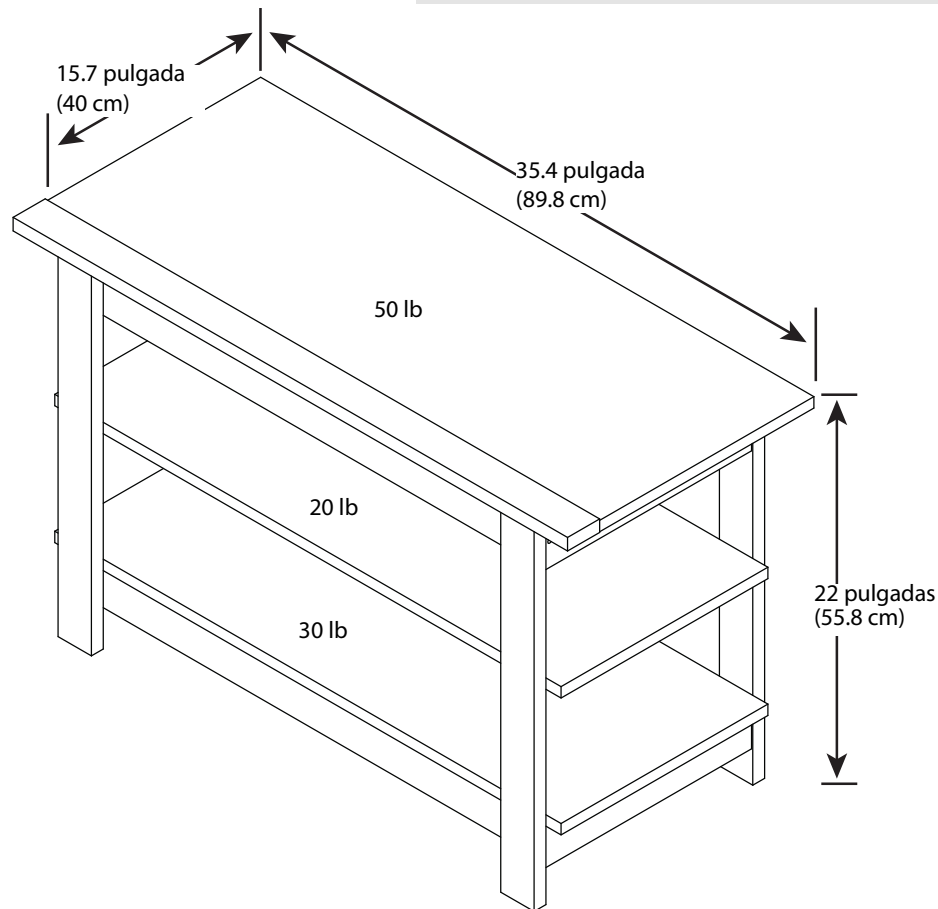
- Repisa superior: 50 lb (22.68 kg)
- Repisa de en medio: 20 lb (9 kg)
- Repisa inferior: 30 lb (13.6 kg)

Tamaño máximo de pantalla: 40 pulg. en diagonal

Dimensiones totales (Alto x Ancho x Profundidad):

22 x 35.4 x 15.7 pulg.
(55.8 x 89.8 x 40 cm)

Peso total: 40 lb (18.14 kg)



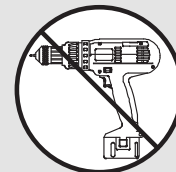
Herramientas requeridas:



Destornillador Phillips



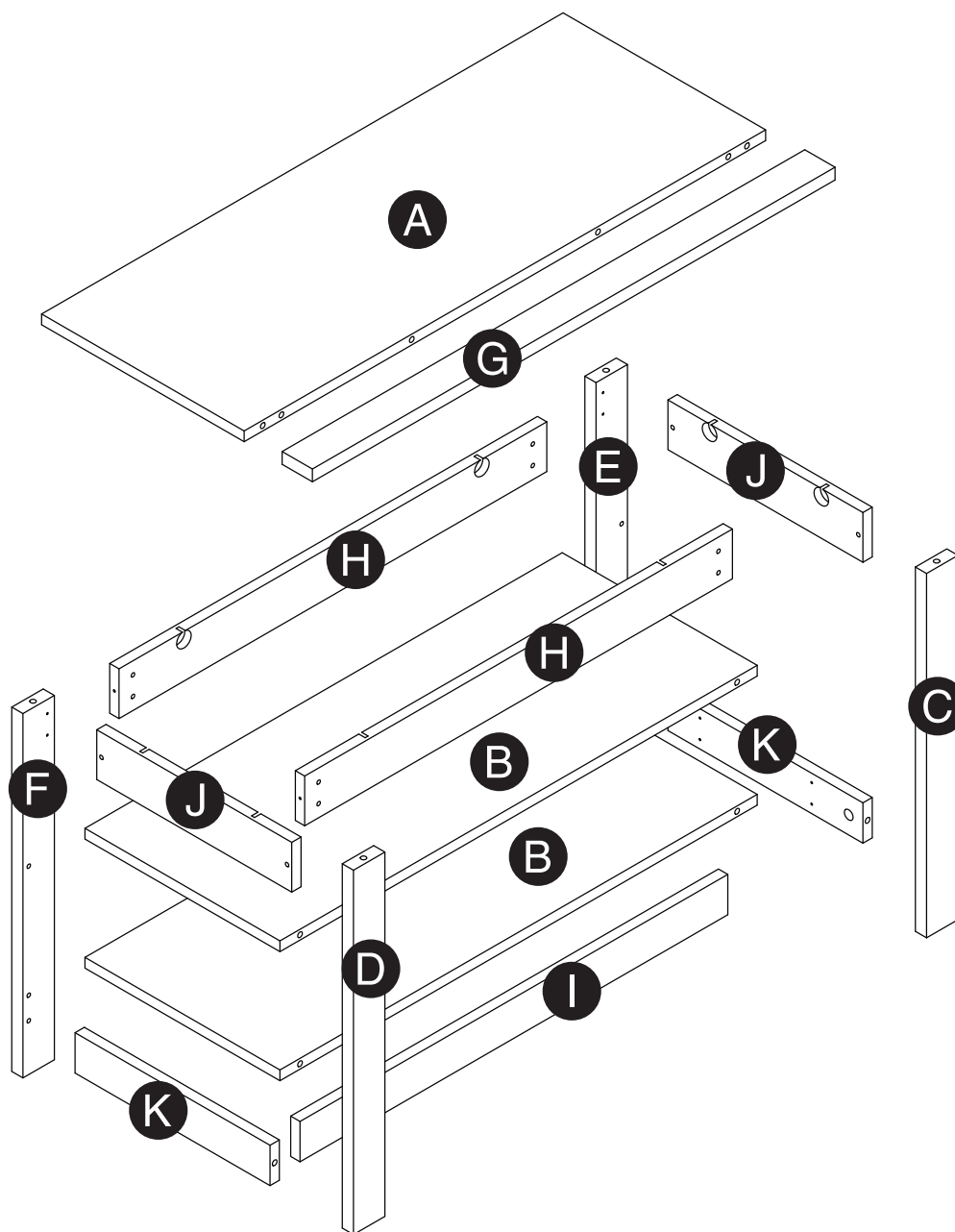
Martillo



CONTENIDO DEL PAQUETE: PIEZAS

Asegúrese de que tenga todos los elementos necesarios para ensamblar su base nueva para televisor. Aunque no todas las partes están marcadas, algunas de las partes tendrán una etiqueta o una letra marcada con tinta en el borde para ayudar a distinguir las partes similares una de la otra. Use esta parte de identificación para ayudarle a identificar las partes similares.


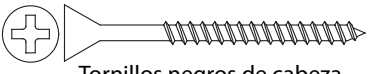
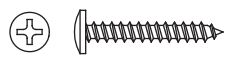
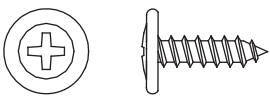
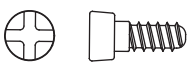
Etiqueta	Elemento	Cantidad	Etiqueta	Elemento	Cantidad
A	Vista desde arriba	1	G	Moldura de retención	1
B	Repisa	2	H	Faldón largo superior	2
C	Pata frontal derecha	1	I	Faldón largo inferior	1
D	Pata frontal izquierda	1	J	Faldón corto superior	2
E	Pata posterior derecha	1	K	Faldón corto inferior	2
F	Pata posterior izquierda	1			

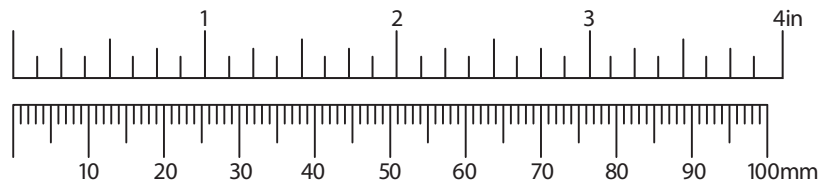


CONTENIDO DEL PAQUETE: FERRETERÍA

Nota: la tabla a continuación le muestra la ferretería requerida. Puede ser que reciba ferretería extra. Asegúrese de que tenga todos los herrajes necesarios para el ensamblaje de la base de su televisor.

Etiqueta	Ferretería	Cantidad
5F	 Conector oculto	8
1F	 Leva oculta	10
8F	 Tornillo de leva	10
4G	 Soporte metálico	7
15F	 Espiga de madera	6
20P	 Tornillos de la cubierta	10

Etiqueta	Ferretería	Cantidad
1L	 Etiqueta de advertencia	1
2S	 Tornillos negros de cabeza plana de 1 7/8 pulg.	10
9S	 Tornillos de cabeza de placa negro de 1 1/8 pulg.	8
1S	 Tornillo negro con cabeza grande de 9/16 pulg.	14
8S	 Conector del tornillo	8



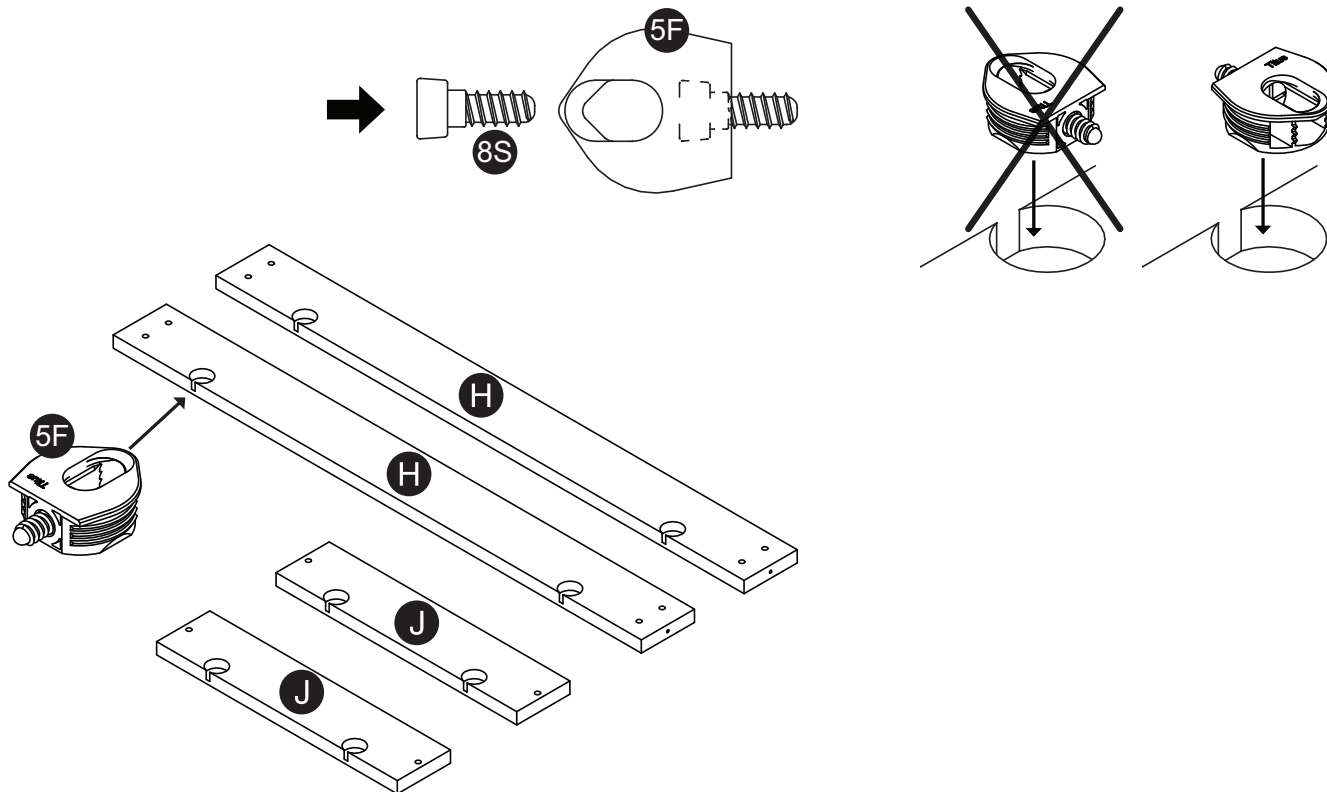
INSTRUCCIONES DE MONTAJE

Paso 1: Preparación de los faldones superiores

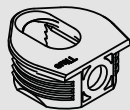
Cuidado: ensamble la base sobre una alfombra o sobre el cartón vacío para evitar ralladuras en la base.

- Inserción a un tornillo conector (8S) en cada conector oculto (5F), luego use un martillo para golpear el ensamblaje de un conector oculto y el tornillo de montaje en los agujeros grandes en los faldones largos superiores (H) y en los faldones cortos superiores (J).

Nota: asegúrese de que las roscas de los tornillos del conector (8S) estén apuntando hacia afuera, lejos de la parte de madera.



Necesitará:



5F (8)



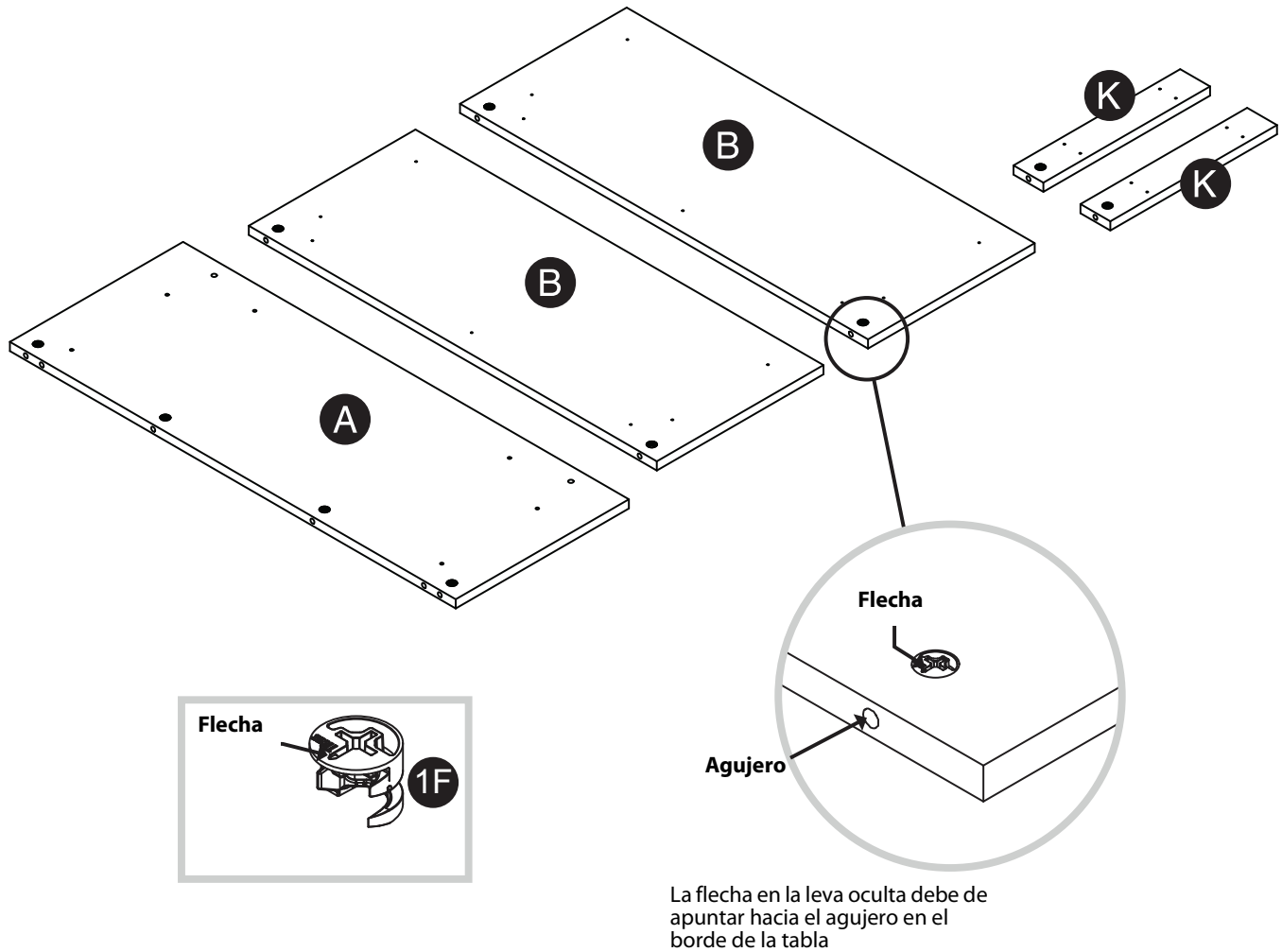
8S (8)



Martillo

Paso 2: Preparación de la parte superior, las repisas (B) y los faldones cortos inferiores

- Presione las levas ocultas (1F) en la parte superior (A), repisas (B) y los faldones cortos inferiores (K). La flecha en las levas ocultas debe de apuntar hacia el agujero en el borde de la pieza.



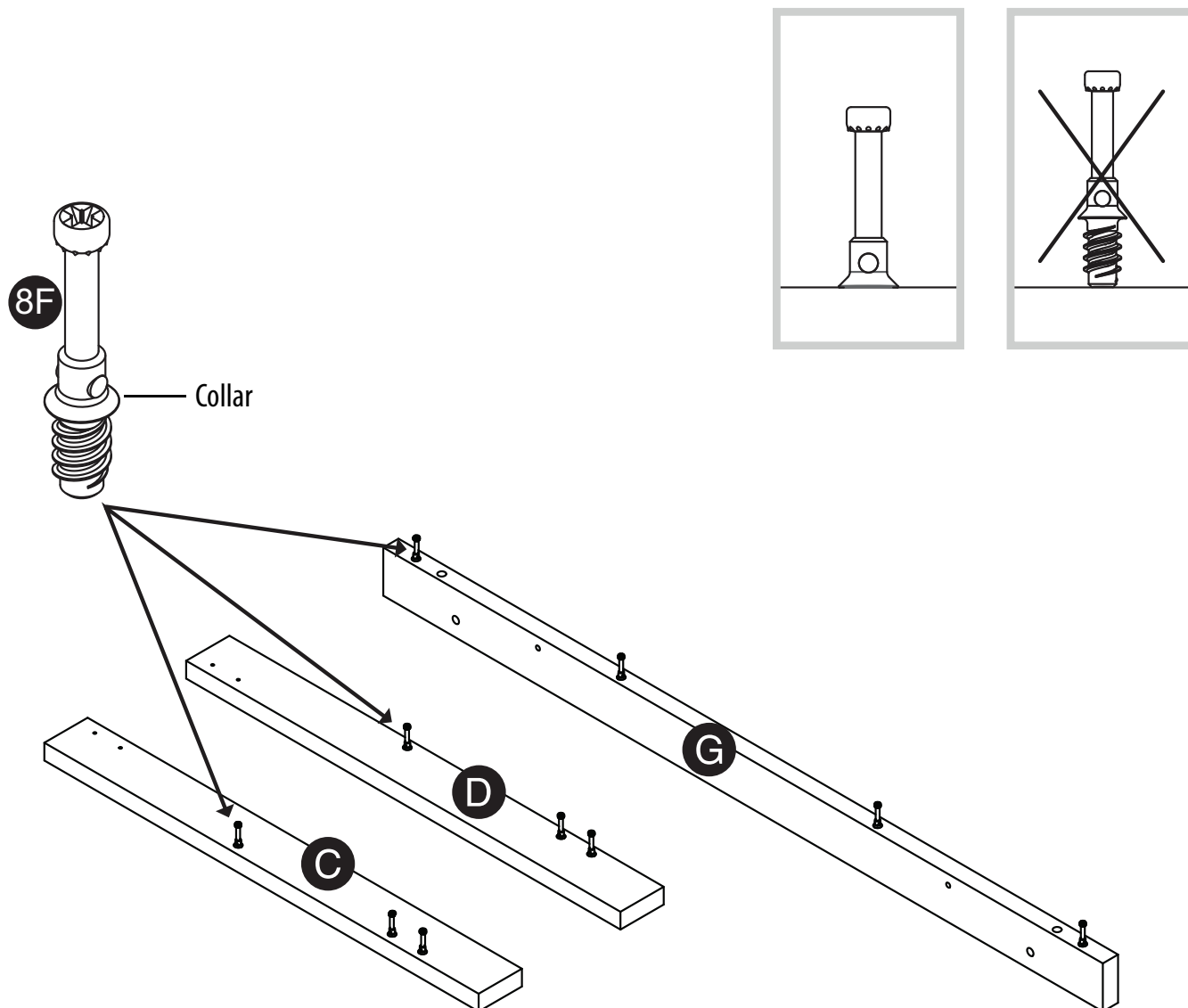
Necesitará:



1F (10)

Paso 3: Preparación de la moldura de retención

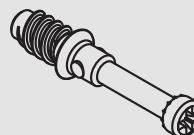
- Enrosque diez tornillos de leva (8F) en los agujeros pre taladrados en las patas frontales (C y D) y la moldura de retención (G) y apriete con un destornillador Phillips hasta que el collar del tornillo de leva (8F) quede al ras con la superficie de la pieza.



Necesitará:



Destornillador Phillips



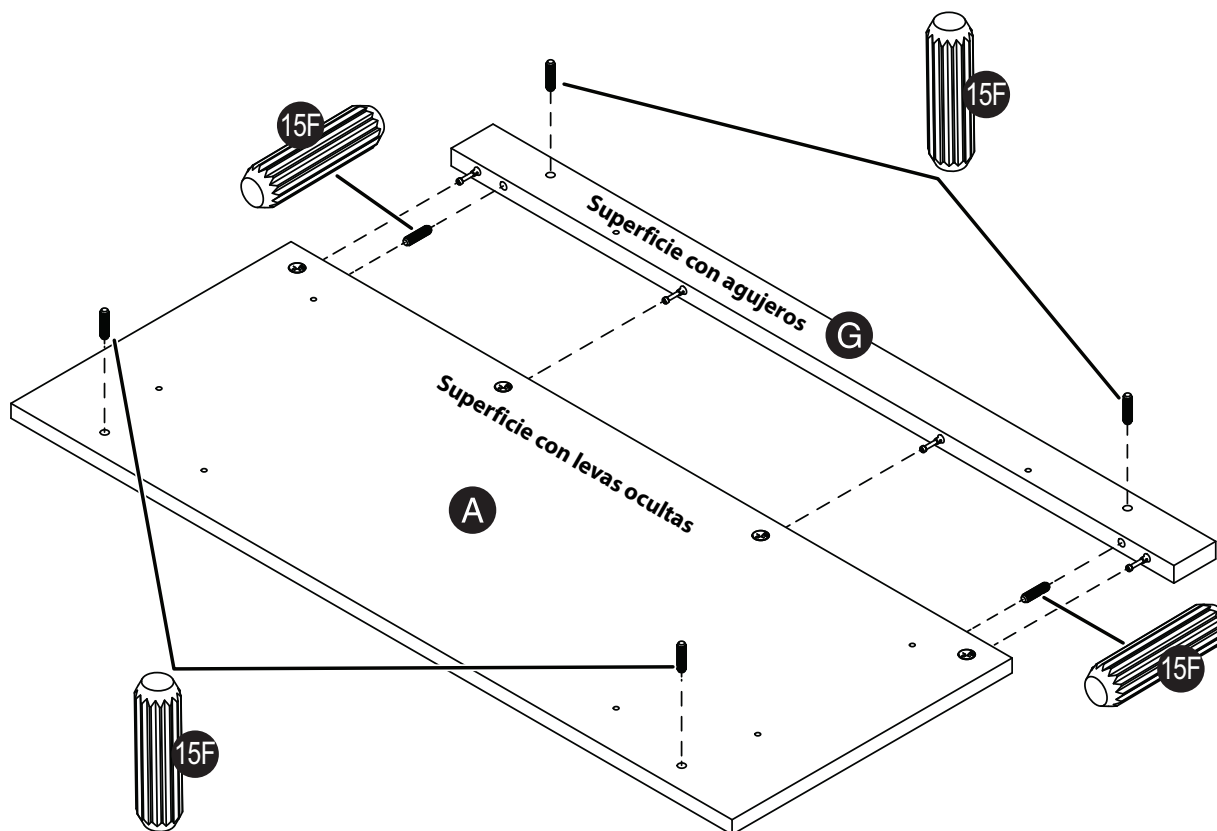
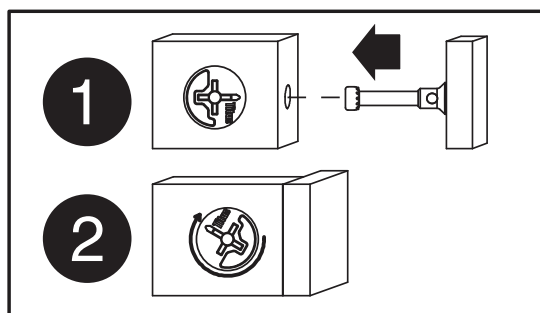
8F (10)

Paso 4: Fijación de la moldura de retención a la parte superior

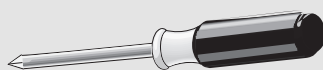
- 1 Inserte dos espigas de madera (15F) en los agujeros en el borde de la moldura de retención (G).
- 2 Inserte el tornillo de leva y el extremo de la espiga de la moldura de retención (G) en los orificios de la parte superior (A).

Nota: Asegúrese de que las espigas de madera en la moldura de retención sean insertadas en la parte superior y que la extremidad de la espiga del sujetador permanezca completamente insertada en el agujero de la parte adyacente mientras bloquea el sujetador.

- 3 Apriete cada leva oculta con un destornillador Phillips lo más ajustado posible.
- 4 Inserte cuatro espigas de madera (15F) en los agujeros de la parte superior (A) y de la moldura de retención (G).



Necesitará:



Destornillador Phillips

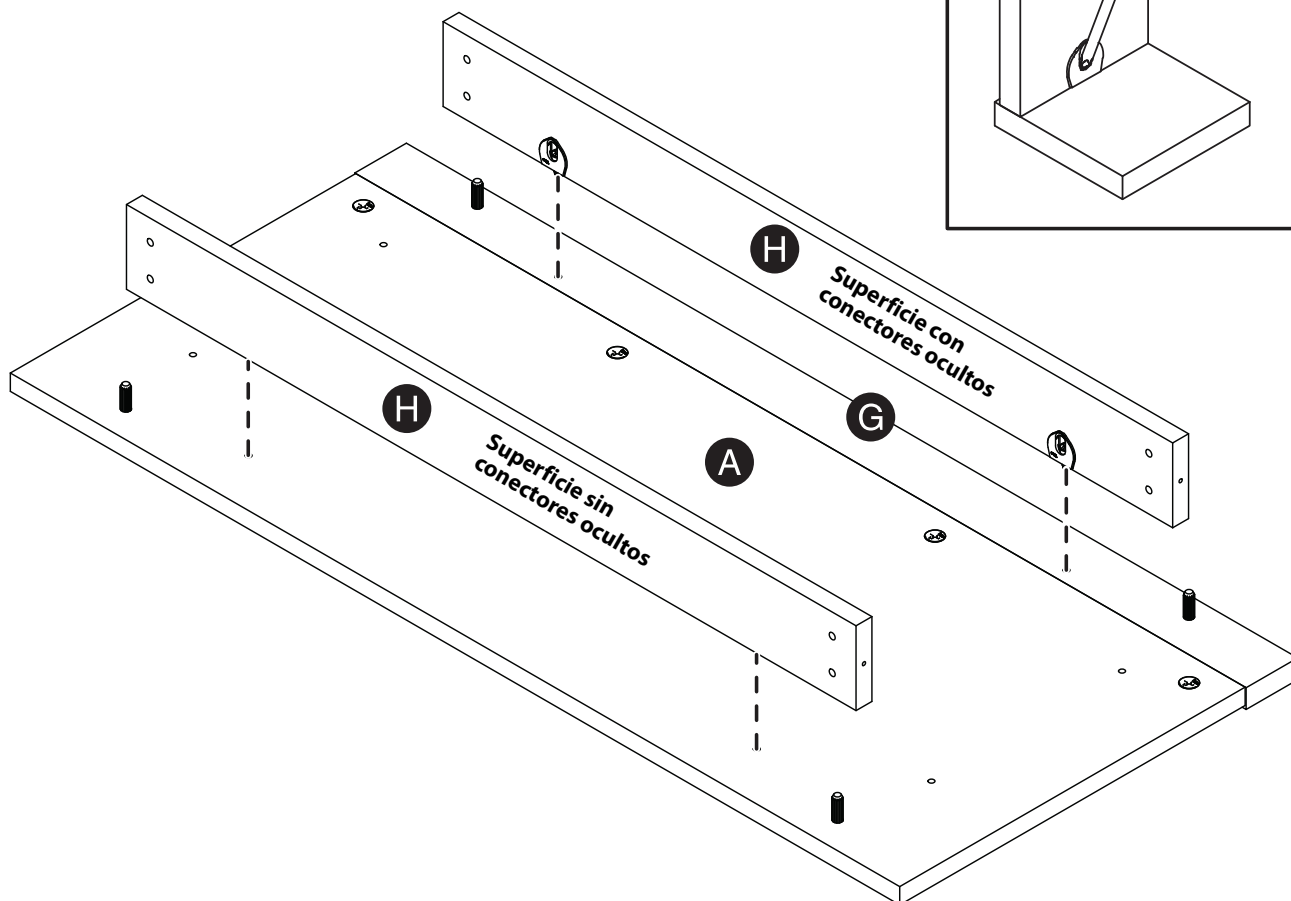
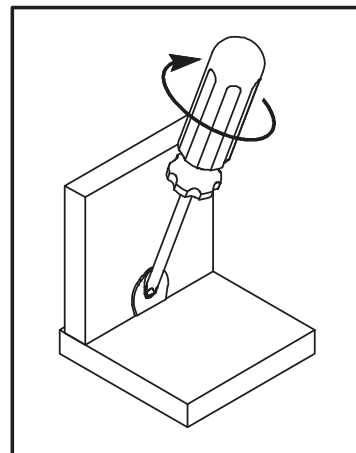


15F (6)

Paso 5: Fijación de los faldones largos superiores a la parte superior

- Sujete los faldones largos superiores (H) a la parte superior (A) y a la moldura de retención (G) y apriete los cuatro conectores ocultos.

Para apretar dos partes juntas usando los conectores ocultos, inserte el destornillador en un ángulo en la ranura en el conector oculto. Mientras empuja el tornillo en el agujero de la pieza adyacente, gire el destornillador hacia la derecha para apretar. No apriete demasiado.



Necesitará:

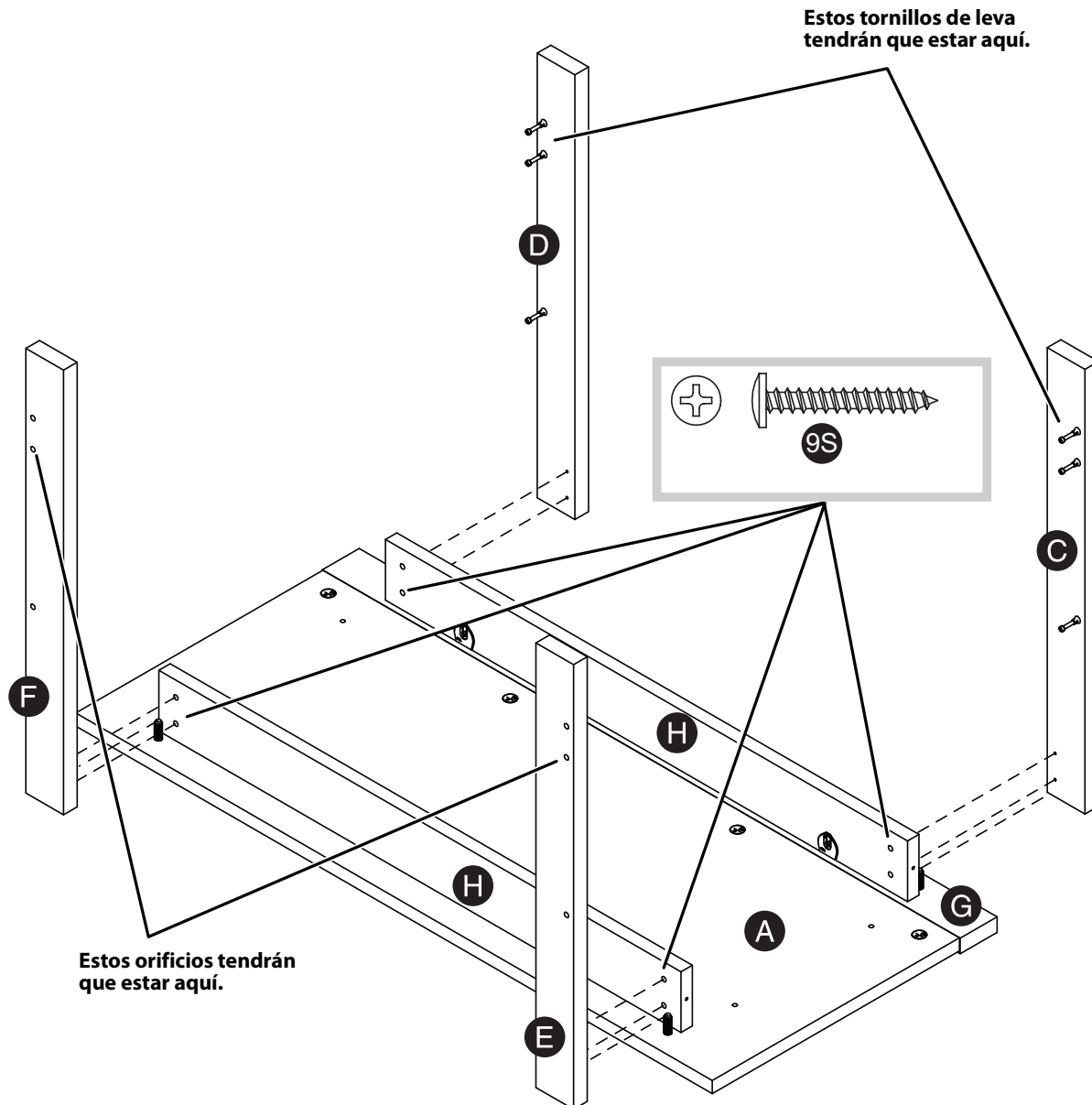


Destornillador Phillips

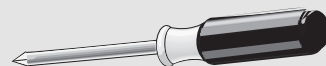
Paso 6: Colocación de las patas

- 1 Coloque las patas (C, D, E y F) en las espigas de madera (15F) en la parte superior (A) y la moldura de retención (G).
- 2 Sujete las patas (C, D, E y F) a los faldones largos superiores (H) con los tornillos negros de cabeza de placa de 1 1/8 pulg. (9S).

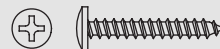
Consejo: asegúrese de que los agujeros de los tornillos estén alineados.



Necesitará:



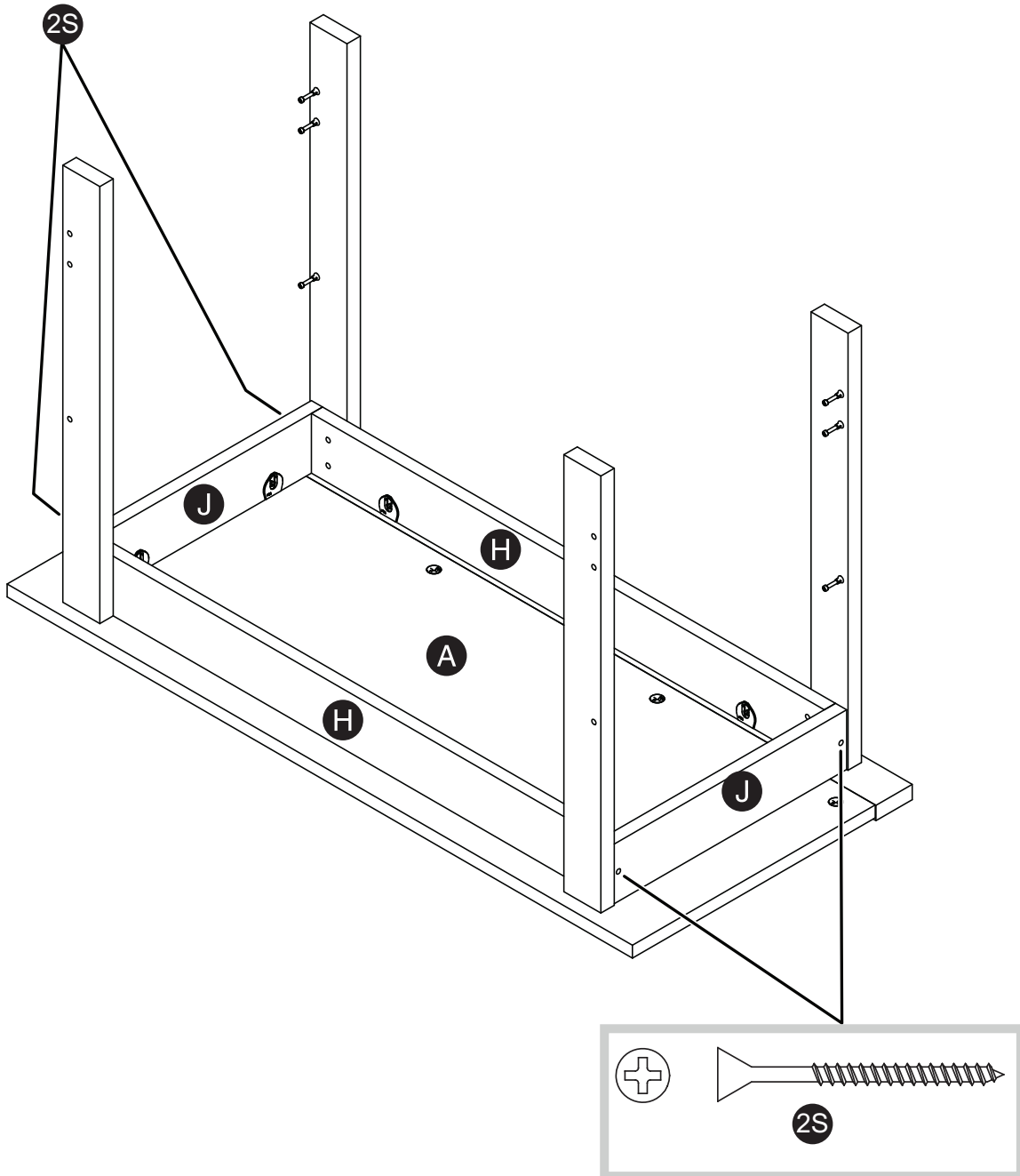
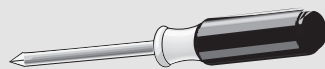
Destornillador Phillips



9S (8)

Paso 7: Fijación de los faldones cortos superiores

- 1 Sujete los faldones cortos superiores (**J**) a la parte superior (**A**) y apriete los cuatro conectores ocultos.
- 2 Fije los faldones superiores cortos (**J**) a los faldones largos superiores (**H**) con cuatro tornillos negros de cabeza plana de 1 7/8 pulg. (**2S**).

**Necesitará:**

Destornillador Phillips

**2S** (4)

Paso 8: Instalación de la repisa de en medio

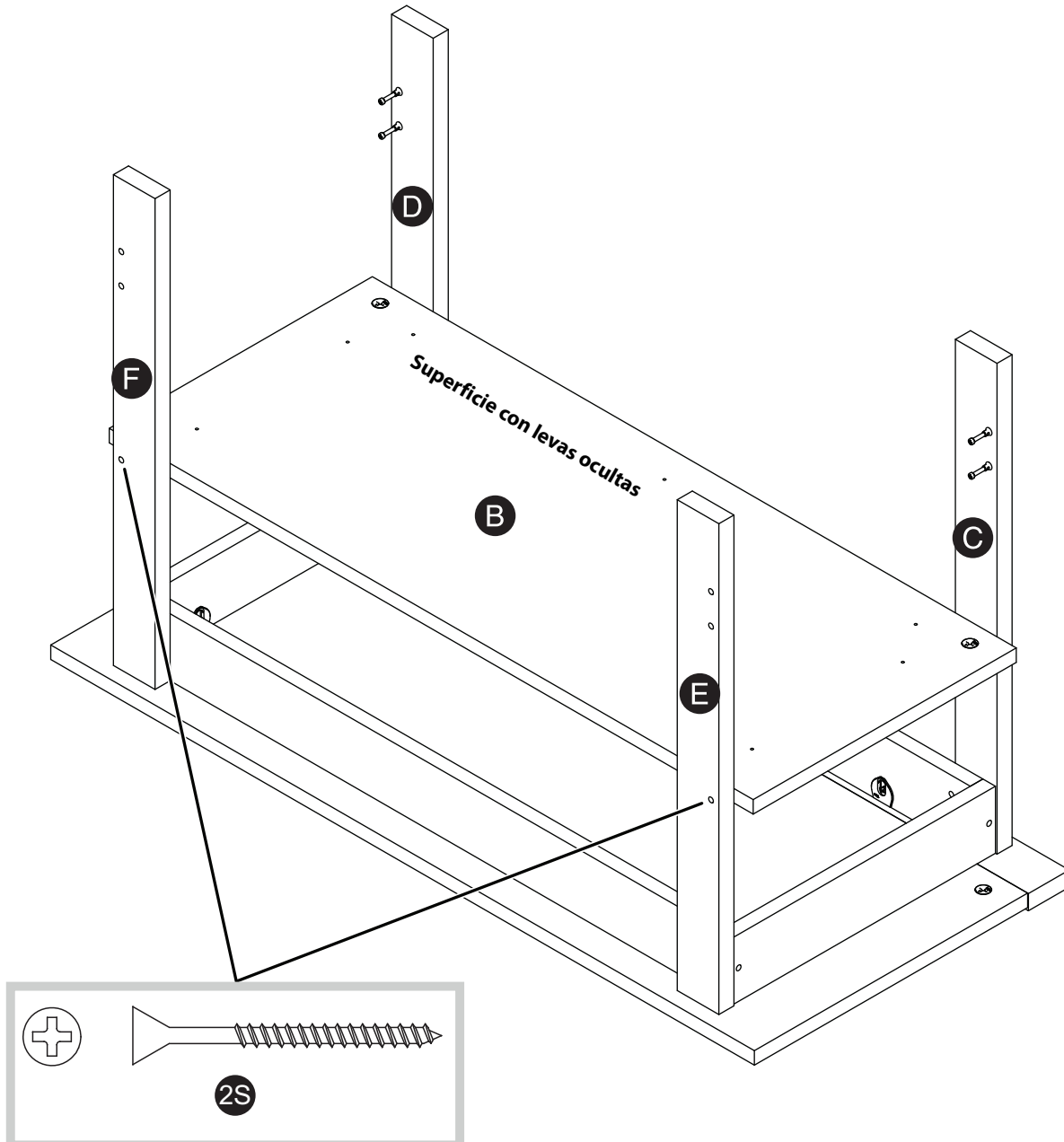
- 1 Fije la repisa de en medio (**B**) a las patas frontales (**C** y **D**) y apriete las dos levas ocultas en la repisa.

Notas:

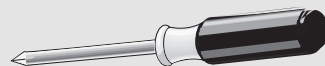
Necesitará inclinar la repisa en los tornillos de leva de las patas frontales.

*Asegúrese de que los agujeros de las patas posteriores (**E** y **F**) sean alineados con los orificios del borde de la repisa (**B**).*

- 2 Fije la repisa (**B**) a las patas posteriores (**E** y **F**) con dos tornillos negros de cabeza plana de 1 7/8 pulg. (**2S**).



Necesitará:



Destornillador Phillips



2S (2)

Paso 9: Instalación de la repisa inferior

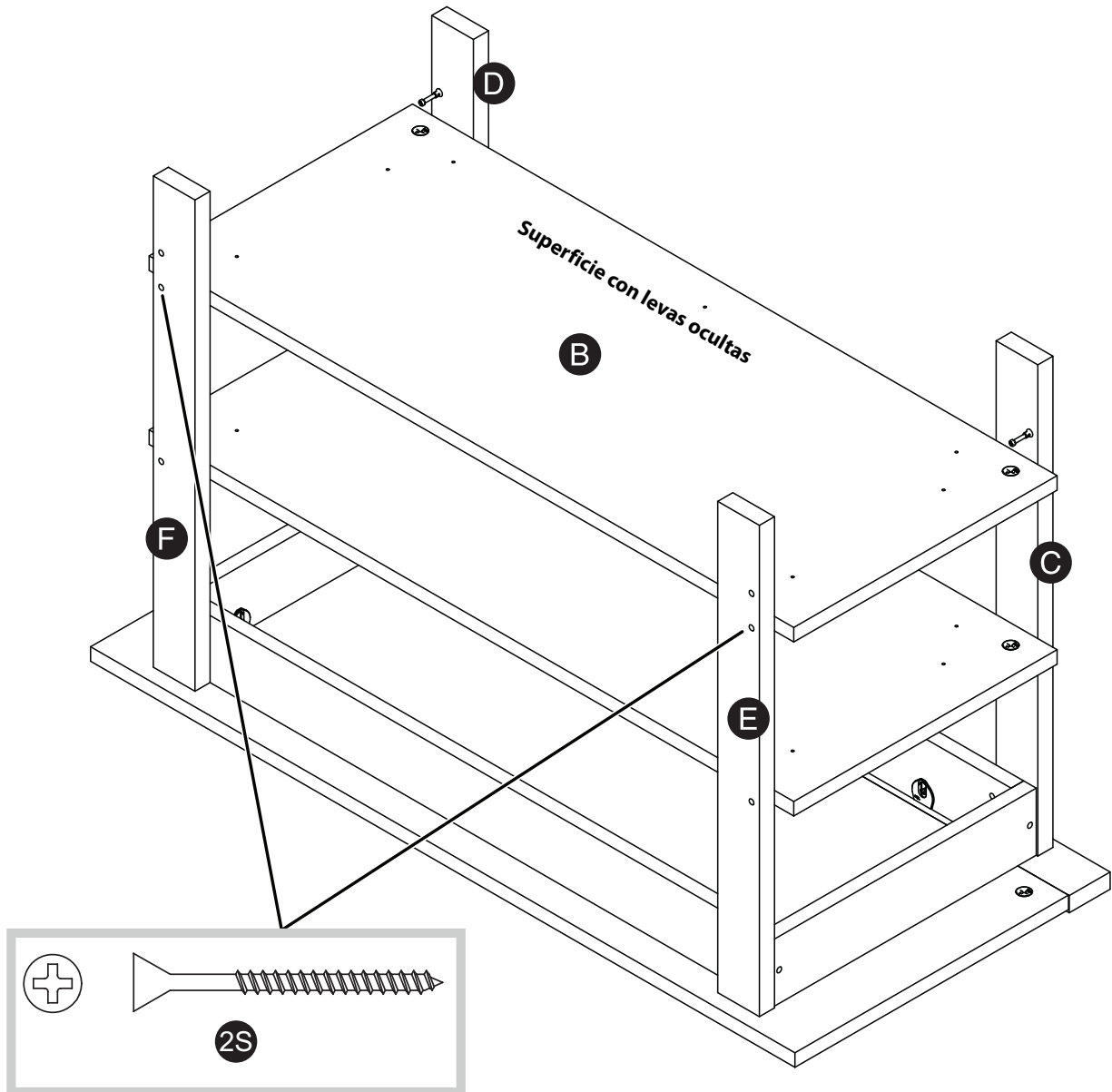
- 1 Fije la repisa inferior (**B**) a las patas frontales (**C** y **D**) y apriete las dos levas ocultas en la repisa.

Notas:

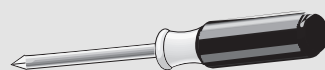
Necesitará inclinar la repisa en los tornillos de leva de las patas frontales.

*Asegúrese de que los agujeros de las patas posteriores (**E** y **F**) sean alineados con los orificios del borde de la repisa (**B**).*

- 2 Fije la repisa (**B**) a las patas posteriores (**E** y **F**) con dos tornillos negros de cabeza plana de 1 7/8 pulg. (**2S**).



Necesitará:



Destornillador Phillips



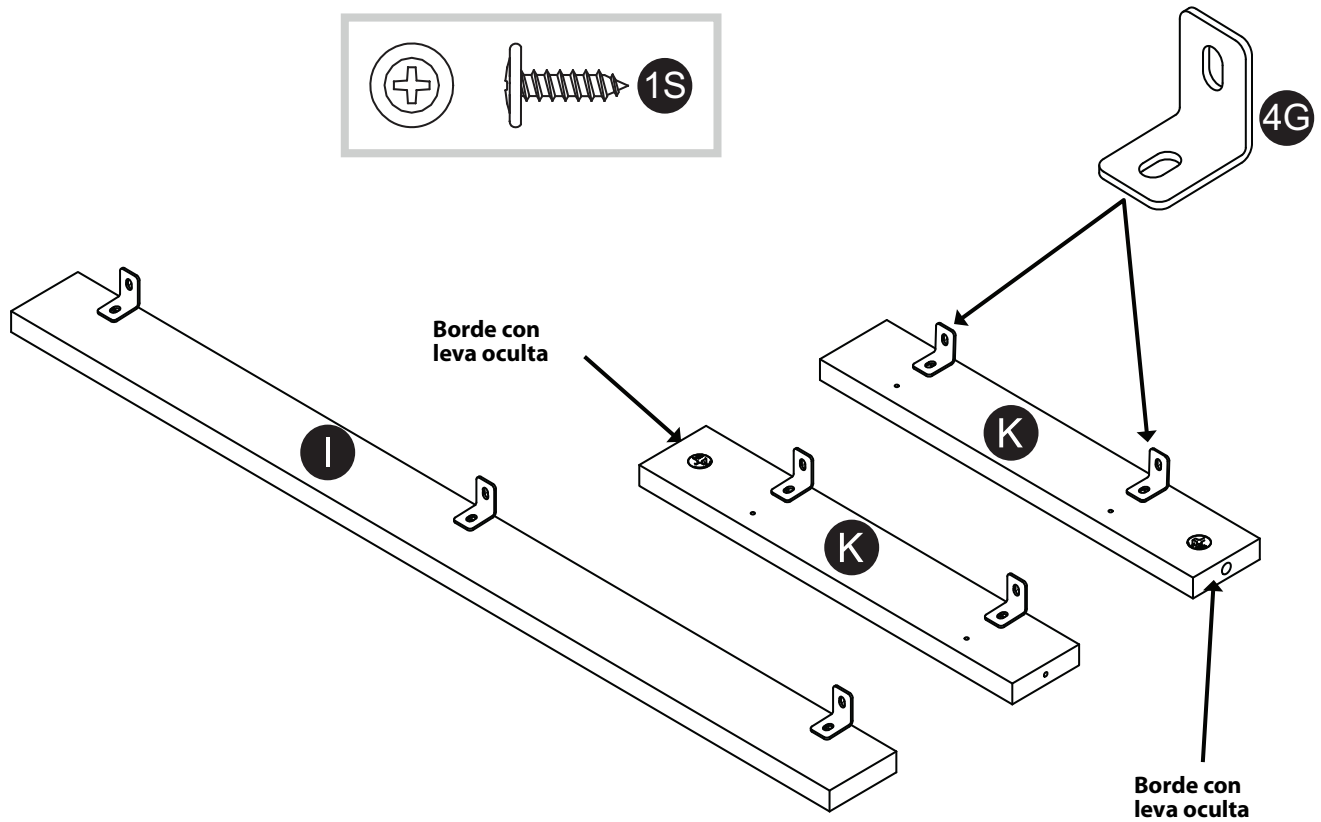
2S (2)

Paso 10: Preparación del faldón inferior

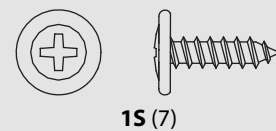
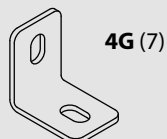
- Apriete los soportes metálicos (4G) a los faldones inferiores (I y K) con los tornillos negros de cabeza grande de 9/16 (1S).

Nota: asegúrese de que los soportes estén a nivel con los bordes de los faldones inferiores.

Nota: use los mismos agujeros mostrados en la ilustración.

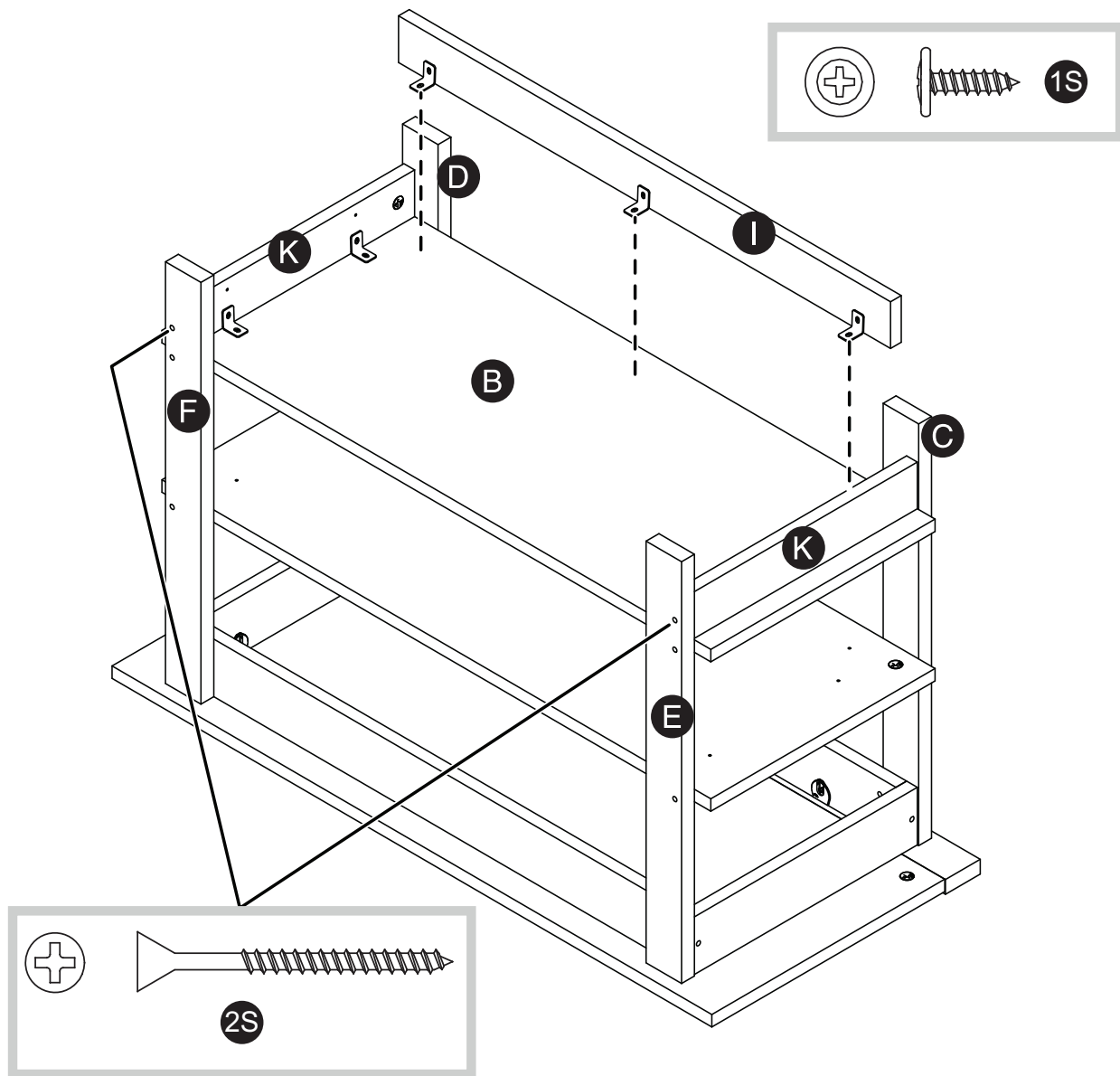


Necesitará:

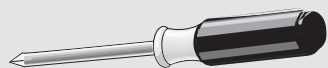


Paso 11: Fijación de los faldones inferiores

- 1 Fije los faldones cortos inferiores (**K**) a las patas frontales (**C** y **D**) y apriete las dos levas ocultas.
- 2 Fije los faldones cortos inferiores (**K**) a las patas posteriores (**E** y **F**) con dos tornillos negros de cabeza plana de 1 7/8 pulg. (**2S**).
- 3 Fije los faldones (**I** y **K**), lado exterior con acabado, a la repisa inferior (**B**) con los tornillos negros de cabeza grande de 9/16 pulg. (**1S**) a través de los soportes de metal en la repisa.



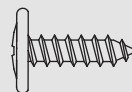
Necesitará:



Destornillador Phillips



2S (2)



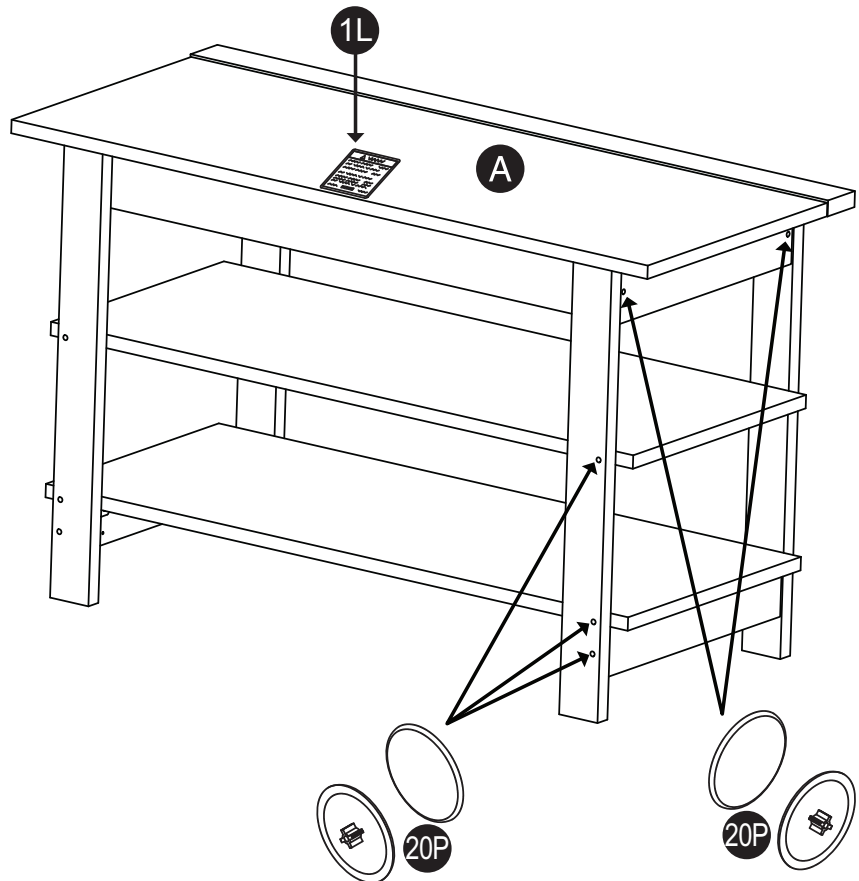
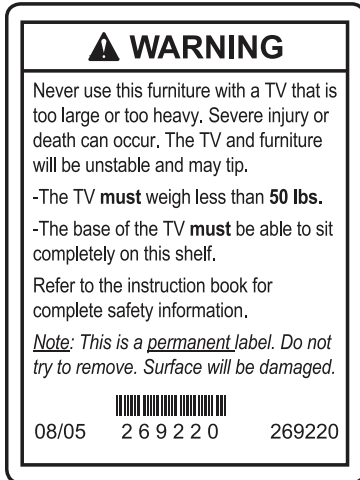
1S (7)

Paso 12: Completado de la base del televisor

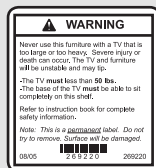
- 1 Cuidadosamente levante la unidad.
- 2 Coloque una cubierta de tornillo (20P) en la cabeza de cada tornillo visible y presione firmemente.
- 3 Coloque la etiqueta de advertencia (1L) en la parte superior (A) para que se pueda leer al retirarse el televisor de la unidad. Despegue la parte posterior de la etiqueta y aplíquela a la parte superior como se muestra.

Nota: esta es una etiqueta permanente que se diseñó para que dure por la vida del producto. Una vez aplicada, no intente retirarla.

Esto finaliza el ensamblaje de la base para su televisor. Limpie la base con su producto para muebles favorito o con un paño húmedo y séquelos.



Necesitará:



1L (1)



20P (10)

CUIDADO Y MANTENIMIENTO

Madera y laminado

- Utilice su tipo de cera para muebles favorita.
- No vaporice directamente la cera en el mueble. Vaporice en un paño suave cuando limpie el mueble.
- Siempre pruebe la cera en un lugar discreto primero, tal como la parte posterior del mueble para asegurarse que no haya una reacción no deseada.
- Limpie regularmente con un paño suave.
- No deslice objetos en las superficies. Levante los objetos de la superficie superior para no arrastrarlos sobre el acabado al moverlos.
- No exponga su mueble a la luz solar directa, a fuentes de calor secadoras o humedad.

ADVERTENCIA

Por favor use su mueble correctamente y con cuidado. El uso incorrecto puede causar riesgos para la seguridad o daños al mueble o a los artículos del hogar. Lea cuidadosamente la siguiente tabla.

Preste atención a:	¿Qué puede suceder?	Como evitar el problema:
<ul style="list-style-type: none"> • Niños subiéndose al mueble. • Un niño puede tratar de alcanzar un juguete o un objeto al subirse al mueble. • Cerca del televisor los niños juegan y están activos. 	<ul style="list-style-type: none"> • Riesgo de lesiones o muerte. • Un niño subiéndose a un mueble podría poner demasiado peso en este y lo haría volcar. • Un niño jugando con un televisor podría hacerlo volcar. 	<ul style="list-style-type: none"> • No deje que niños se suban sobre el mueble o jueguen con el mismo. • No coloque juguetes o comidas sobre las repisas superiores. Los niños trataran de subir para alcanzarlos solo por curiosidad.
<ul style="list-style-type: none"> • Uso incorrecto del mueble para sostener televisores. • Los muebles diseñados para su uso con televisores especificarán el peso máximo y el tamaño recomendado que apoyará en el mueble de forma segura. 	<ul style="list-style-type: none"> • Riesgo de lesiones o muerte. • El televisor puede ser muy pesado. Además, los televisores antiguos CRT (con tubo catódico) se pueden desequilibrar y volcarse hacia delante. 	<ul style="list-style-type: none"> • Un televisor debe de ser colocado solamente en un mueble diseñado para televisores. • No utilice un televisor que exceda el peso y las dimensiones especificadas para este mueble.
<ul style="list-style-type: none"> • Repisas sobrecargadas 	<ul style="list-style-type: none"> • Riesgo de lesiones. • Los muebles pesados se pueden volcar. • Las repisas sobrecargadas pueden romperse. 	<ul style="list-style-type: none"> • No exceda nunca los limites de peso que se muestran en las instrucciones. • Llene las repisas de abajo hacia arriba. • La repisa de en medio solamente puede aguantar 20 lb y la repisa inferior puede aguantar 30 lb. Las repisa superiores pueden aguantar 50 lb.
<ul style="list-style-type: none"> • Desplazamiento incorrecto del mueble 	<ul style="list-style-type: none"> • El mueble puede volcarse o romperse si se mueve incorrectamente. • Riesgo de lesiones. 	<ul style="list-style-type: none"> • Retire las repisas de arriba hacia a bajo antes de mover el mueble. • No empuje el mueble, sobre todo en un piso de alfombra. Que un amigo le ayude a levantar el producto y colocarlo en su lugar. • No levante el mueble usando la repisa superior. Levántela por el marco o las patas. • Retire el televisor antes de mover el mueble para televisor.

GARANTÍA LIMITADA DE UN AÑO

Descripción:

El distribuidor* de los productos de la marca Insignia le garantiza a usted, el comprador original de este producto nuevo de la marca Insignia ("Producto"), que éste se encontrará libre de defectos de material o de mano de obra en su fabricación original por un período de un (1) año a partir de la fecha de compra del Producto ("Período de garantía").

Para que esta garantía se aplique, su Producto tiene que haberse comprado en los Estados Unidos o en Canadá con un detallista de la marca Best Buy o en línea en los sitios www.bestbuy.com o www.bestbuy.ca y empacado con esta declaración de garantía.

¿Cuánto dura la garantía?

El Período de garantía dura por 1 año (365 días) a partir de la fecha en que compró el Producto. La fecha de compra se encuentra impresa en el recibo que recibió con el Producto.

¿Qué es lo que cubre esta garantía?

Durante el Período de garantía, si un centro de reparación autorizado de Insignia concluye que la fabricación original del material o la mano de obra del Producto se encuentran defectuosos Insignia (cómo su opción exclusiva): (1) reparará el Producto con repuestos nuevos o reconstruidos; o (2) reemplazará el Producto sin costo alguno por un producto nuevo o reconstruido con características similares. Los Productos y repuestos reemplazados bajo esta garantía se volverán propiedad de Insignia y no se le regresarán a usted. Si se requiere la reparación de Productos o partes después de que se vence el Período de garantía, usted deberá pagar todos los costos de mano de obra y de repuestos. Esta garantía estará vigente tanto como usted sea el dueño de su producto Insignia durante el período de garantía. La cobertura de la garantía se anula si usted vende o transfiere el Producto.

¿Cómo se obtiene el servicio de garantía?

Si se compró el Producto en una tienda de Best Buy por favor lleve su recibo original y el Producto a cualquier tienda de Best Buy. Asegúrese de volver a colocar el Producto en su empaque original o en un empaque que provea la misma protección que el original. Si compró el Producto en un sitio Web de Best Buy (www.bestbuy.com o www.bestbuy.ca), envíe por correo su recibo original y el Producto a la dirección postal especificada en el sitio Web. Asegúrese de colocar el Producto en su empaque original o en un empaque que provea la misma protección que el original.

Para obtener servicio de garantía, por favor llame al 1-888-BESTBUY en los Estados Unidos o llame al 1-866-BESTBUY en Canadá. Los agentes de soporte técnico diagnosticarán y corregirán el problema por teléfono.

¿Dónde es válida la garantía?

Esta garantía sólo es válida en los Estados Unidos y Canadá en las tiendas de Best Buy o en sus sitios Web para el comprador original del producto en el país donde se realizó la compra.

¿Qué es lo que no cubre la garantía?

Esta garantía no cubre:

- Capacitación o instrucción del cliente
- Instalación
- Ajustes de configuración
- Daños cosméticos
- Daños debidos al clima, relámpagos, causas de fuerza mayor, tales como sobretensiones
- Danos accidentales
- Uso inapropiado
- Abuso
- Negligencia
- Uso o propósito comercial, incluyendo pero no limitado al uso en centros comerciales o lugares comunes de un condominio de varios pisos o un edificio de departamentos, o cualquier uso en un lugar que no sea una casa privada.

- Modificación de alguna parte del Producto, incluyendo la antena
- Un panel de pantalla plasma dañado por la persistencia de imágenes estáticas (sin movimiento), mostradas por períodos de tiempo extendido (efecto "burn-in").
- Daño debido al uso o mantenimiento inapropiado
- Conexión a una fuente de voltaje o de alimentación incorrecta
- Intento de reparación por cualquier persona que no sea autorizada por Insignia para reparar el Producto
- Productos vendidos "tal cual" (en el estado en que se encuentran) o "con todas sus fallas"
- Consumibles, incluyendo pero no limitado a pilas (tipo AA, AAA, C etc.)
- Productos en los cuales el número de serie asignado en la fábrica ha sido alterado o removido
- Pérdida o robo de este producto o cualquier parte de sus componentes
- Las pantallas con hasta tres (3) píxeles defectuosos (puntos oscuros o incorrectamente iluminados) agrupados en una superficie más pequeña que la décima parte (1/10) del tamaño de la pantalla ni hasta cinco (5) píxeles defectuosos en toda la superficie de la pantalla. Las pantallas con píxeles pueden tener un número limitado de píxeles defectuosos.
- Los defectos o daños causados como resultado de cualquier contacto, sin limitarse a líquidos, geles o pastas.

EL REEMPLAZO O LA REPARACIÓN ESTIPULADOS BAJO ESTA GARANTÍA SON SU RECURSO EXCLUSIVO POR CUALQUIER VIOLACIÓN DE LA GARANTÍA. INSIGNIA NO SERÁ RESPONSABLE POR DAÑOS INCIDENTALES O CONSECUENTES DEBIDO AL INCUMPLIMIENTO DE CUALQUIER GARANTÍA EXPRESA O IMPLÍCITA RELACIONADA CON ESTE PRODUCTO, INCLUYENDO PERO SIN LIMITARSE A LA PÉRDIDA DE INFORMACIÓN, LA PÉRDIDA DE NEGOCIOS O DE GANANCIAS. INSIGNIA PRODUCTS NO HACE NINGUNA OTRA GARANTÍA EXPRESA E IMPLÍCITA RELACIONADA A ESTE PRODUCTO, INCLUYENDO PERO SIN LIMITARSE A, CUALQUIER GARANTÍA IMPLÍCITA Y CONDICIONES DE COMERCIALIZACIÓN Y IDONEIDAD PARA UN USO PARTICULAR, ESTÁN LIMITADAS EN DURACIÓN AL PERÍODO DE GARANTÍA DECLARADO ANTERIORMENTE Y NINGUNA GARANTÍA YA SEA EXPRESA O IMPLÍCITA SE APLICARÁ DESPUÉS DEL PERÍODO DE GARANTÍA. ALGUNOS ESTADOS, PROVINCIAS Y JURISDICCIONES NO PERMITEN RESTRICCIONES EN CUANTO A LA DURACIÓN DE UNA GARANTÍA IMPLÍCITA, ASÍ QUE LA RESTRICCIÓN ANTERIOR PUEDE NO APLICARSE EN SU CASO. ESTA GARANTÍA LE DA DERECHOS LEGALES ESPECÍFICOS, Y USTED PUEDE POSEER OTROS DERECHOS QUE VARIAN DE ESTADO A ESTADO, O DE PROVINCIA A PROVINCIA.

Comuníquese con Insignia:

Para servicio al cliente favor llamar al 1-877-467-4289

www.insigniaproducts.com

INSIGNIA es una marca comercial de Best Buy y sus compañías asociadas.

Distribuida por Best Buy Purchasing, LLC

© 2015 Best Buy. Todos los derechos reservados.

Hecho en los Estados Unidos con materiales de EE.UU. e importados

Certificate of Conformity

1. This certificate applies to the Insignia Product identified by this instruction booklet.
2. This certificate applies to the compliance of this product with the CPSC Ban on Lead-Containing Paint (16 CFR 1303).
3. This product was manufactured for:
Insignia
4. Date of Manufacture: _____

Lot number: 377287

INSIGNIA™

Certificado de conformidad

1. Este certificado aplica al producto de Insignia identificado en este manual de instrucciones.
2. Este certificado aplica al cumplimiento de este producto con la Prohibición CPSC de Pintura con Plomo (16 CFR 1303).
3. Este producto fue fabricado por:
Insignia -
4. Fecha de fabricación: _____

Número de lote: 377287

1-877-467-4289 (U.S. and Canada) or 01-800-926-3000 (Mexico)
www.insigniaproducts.com

INSIGNIA is a trademark of Best Buy and its affiliated companies.
Distributed by Best Buy Purchasing, LLC
©2015 Best Buy. All rights reserved.
Made in USA with U.S. and imported materials

1-877-467-4289 (EE.UU. y Canadá) o el 01-800-926-3000 (México)
www.insigniaproducts.com

INSIGNIA es una marca comercial de Best Buy y sus compañías asociadas.
Distribuida por Best Buy Purchasing, LLC
© 2015 Best Buy. Todos los derechos reservados.
Hecho en los Estados Unidos con materiales de EE.UU. e importados

V4 ENGLISH
V4 ESPAÑOL
15-0791