

# FRIGIDAIRE GALLERY®

## FGIP2468UF

## DISHWASHER

24" BUILT-IN

**Smudge-Proof**  
STAINLESS STEEL



### AVAILABLE COLORS

**D**

Black  
Stainless

**F**

Stainless

### PRODUCT DIMENSIONS

Height (Min. - Max.) 33-1/2" - 35"

Width 24"

Depth 25"

### MORE EASY-TO-USE FEATURES

#### Automatically Adjusts Cycles Taking the Guesswork Out of Cleaning

DishSense™ Technology automatically adjusts the wash cycle based on how much cleaning your dishes need for an effective clean.

#### National Sanitation Foundation® Certified

Sanitize cycle removes 99.9% of common household bacteria.<sup>3</sup>

#### Cleans 14 Place Settings

Clean up to 14 place settings in one cycle.

#### Multiple Cleaning Cycle Options

Features easy-to-use cleaning cycle options including Rinse Only, Heavy Clean and Upper Rack.

#### Energy Saver Plus Cycle

Eco-friendly cycle uses less energy without compromising cleaning performance.

#### ENERGY STAR® - Certified

Maximize your energy and dollar savings with ENERGY STAR®-Certified Appliances.

#### Quiet Operation Won't Run You Out of the Room

So quiet you can run your dishwasher while you're in the same room — runs at only 49 dBAs.

#### Adjustable Washing Pressure

AquaSurge™ Technology allows you to adjust washing pressure based on your needs.

#### Smudge-Proof™ Stainless Steel Finish

Resists fingerprints and cleans easily.

### CERTIFICATIONS

ENERGY STAR®



NSF® International  
Certification



<sup>1</sup> Wash performance tested among competitive units under \$799.

<sup>2</sup> Dry performance tested among competitive units under \$799.

<sup>3</sup> Our products meet the NSF® testing standards.

### SIGNATURE FEATURES



#### Ultimate Clean with Dual OrbitClean®

The Dual OrbitClean® Wash System removes tough, dried and baked on food better than any other dishwasher.<sup>1</sup>



#### Excellent Drying Performance

The fastest, best overall drying performance with MaxBoost™ Dry.<sup>2</sup>



#### Cleans Dishes of All Sizes

SpaceWise® Adjustable Rack allows you to adjust your top rack with ease. Quickly raise and lower your rack to fit dishes and kitchen tools of all shapes and sizes.



#### Time-Saving 34-Minute Quick Wash

Saves you time — cleans dishes in 34 minutes.

# FGIP2468UF DISHWASHER

24" BUILT-IN

FRIGIDAIRE  
GALLERY

## FEATURES

Control Design	Fully-Integrated Express-Select®
Digital Display	Yes
Door Latch	Yes
Stay-Put Door Hinge Design	Yes
Low Rinse-Aid Indicator Light	Yes
Interior Color	Greystone
Interior Design	Tall Tub
Wash System	Direct Feed
Wash Arms	Dual OrbitClean®
Wash Levels	5
Wash Speeds	3
DishSense™ Technology	Yes
AquaSurge™ Technology	Yes
Sound Package	SilentDesign™ I
Filter	Stainless Steel
Filter Trap	Removable
Smart Soil Sensor	Yes
Food Disposer	Yes (Hard)
dB Level	49
Drying System	SaharaDry™

## CYCLES

Number of Cycles	8
PowerPlus™ (Heavy Wash)	Yes
Normal Wash	Yes
Quick Wash (34-Min.)	Yes
Favorite	Yes
China Crystal	Yes
Rinse Only	Yes
Energy Saver Plus	Yes
Top Rack Wash Only ???	Yes

## OPTIONS

MaxBoost™ Dry	Yes
Heat / No Heat Dry	Yes
Wash Pressure	Yes
Hi-Temp Wash	Yes
NSF® Certified Sanitize Rinse	Yes
Delay Start	1-24 Hour

## RACK SYSTEM

Rack Design	Supreme
Rack Coating	Nylon TufRacks™

### Lower Rack -

SpaceWise® Silverware Basket	3-Piece Split
Small Items Cover	2
Fold-Down Tines	2 Full Rows

### Upper Rack -

Stemware	Yes
Champagne Glass Holders	Yes
Fold-Down Tines	Yes
Cup Shelves	2
Stemware Grips	No
Adjustable Rack	Yes

## CERTIFICATIONS

ENERGY STAR® - Certified	Yes
NSF® International Certification	Yes

## SPECIFICATIONS

Water Inlet Location	Left Bottom Front
Water Usage (Gallons)	4.9 - 8.5 (Normal Cycle)
Water Pressure (PSI)	20 - 120
Integral Air Gap on Supply	Yes
Leveling Legs	Yes
Power Supply Connection Location	Right Bottom Front
Voltage Rating	120V / 60 Hz / 15A
Connected Load (kW Rating) @ 120 Volts¹	1.20
Amps @ 120 Volts	10.0
Shipping Weight (Approx.)	83 Lbs.

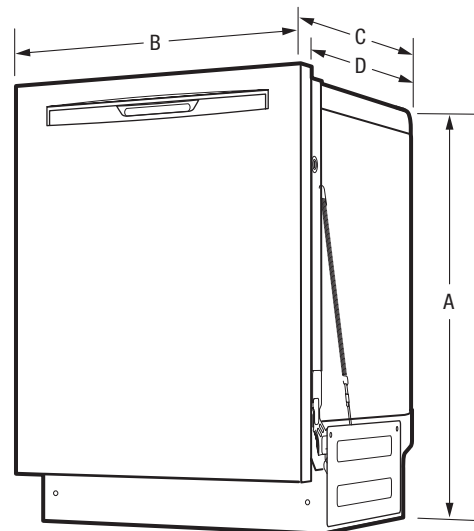
<sup>1</sup> For use on adequately wired 120V, dedicated circuit having 2-wire service with a separate ground wire. Appliance must be grounded for safe operation.

## PRODUCT DIMENSIONS

A - Height (Adjustable)	33-1/2" - 35"
B - Width	24"
C - Depth (Including Door)	25"
D - Depth (To Tub Flange)	22-1/2"
Depth with Door Open 90°	49-1/4"

## CUTOUT DIMENSIONS

Height (Min.)	34-1/4"
Height (Max.)	35-3/4"
Width (Min.)	24"
Depth (Min.)	24"



**Note:** For planning purposes only. Always consult local and national electric, gas and plumbing codes. Refer to Product Installation Guide for detailed installation instructions on the web at [frigidaire.com](http://frigidaire.com).

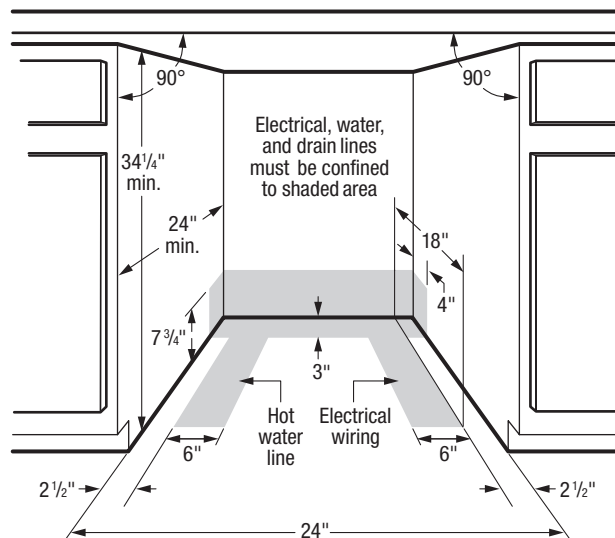
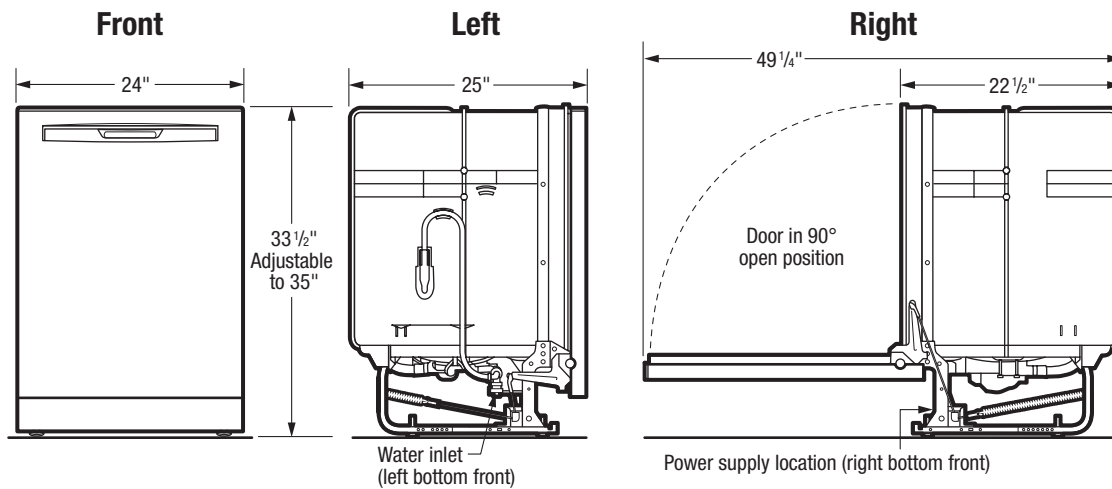
Specifications subject to change. Accessories information available on the web at [frigidaire.com](http://frigidaire.com)



## FRIGIDAIRE

USA • 10200 David Taylor Drive • Charlotte, NC 28262 • 1-800-FRIGIDAIRE • [frigidaire.com](http://frigidaire.com)  
CANADA • 5855 Terry Fox Way • Mississauga, ON L5V 3E4 • 1-800-265-8352 • [frigidaire.ca](http://frigidaire.ca)

FGIP2468U 08/18  
© 2018 Electrolux Home Products, Inc.



## INSTALLATION SPECIFICATIONS

- Product Shipping Weight (approx.) – 83 Lbs.
- Voltage Rating – 120V / 60 Hz / 15 Amps (maximum 20 Amps if connected with disposer)
- Connected Load (kW Rating) @ 120 Volts = 1.20kW (For use on adequately wired 120V, dedicated circuit having 2-wire service with a separate ground wire. Appliance must be grounded for safe operation.)
- Amps @ 120V = 10 Amps
- Always consult local and national electric & plumbing codes. Meets requirements of ASSE 1006—integral air gap on supply.
- Water Pressure – Hot water line to dishwasher must provide between 20 and 120 pounds per square inch (psi) with at least 120°F hot water temperature.
- Make sure location has correct drain, water and electrical outlets to make connections—MUST be confined to shaded areas.
- Electrical and water supplies should enter cabinet opening on floor, or through back or side walls, as shown in shaded areas.
- Keep back free of drain, water & electrical supply.
- Connections preferably located toward left side of dishwasher. Do not cross drain, water or electrical lines in front of motor, blower or frame.
- If connecting drain hose to sink trap, local code may require installation of Air Gap Kit (not included).
- Leveling legs supplied to adjust height.
- When installing adjacent to wall, cabinet or other obstruction that extends beyond front edge of unit, allow 2" minimum clearance between opened door and obstruction.
- Floor should be flat and free of obstructions with carpet removed to provide motor clearance.
- When installing at end of cabinet line, sides and back must be fully enclosed.
- Do not install unit under a cooktop, damage will occur.
- Recommended to seal cabinets, enclosing all sides of dishwasher, including underside of countertop, with oil-based paint or moisture-proof polyurethane to prevent possible steam/moisture damage.



**Note:** For planning purposes only. Always consult local and national electric, gas and plumbing codes. Refer to Product Installation Guide for detailed installation instructions on the web at [frigidare.com](http://frigidare.com).

Specifications subject to change. Accessories information available on the web at [frigidare.com](http://frigidare.com)