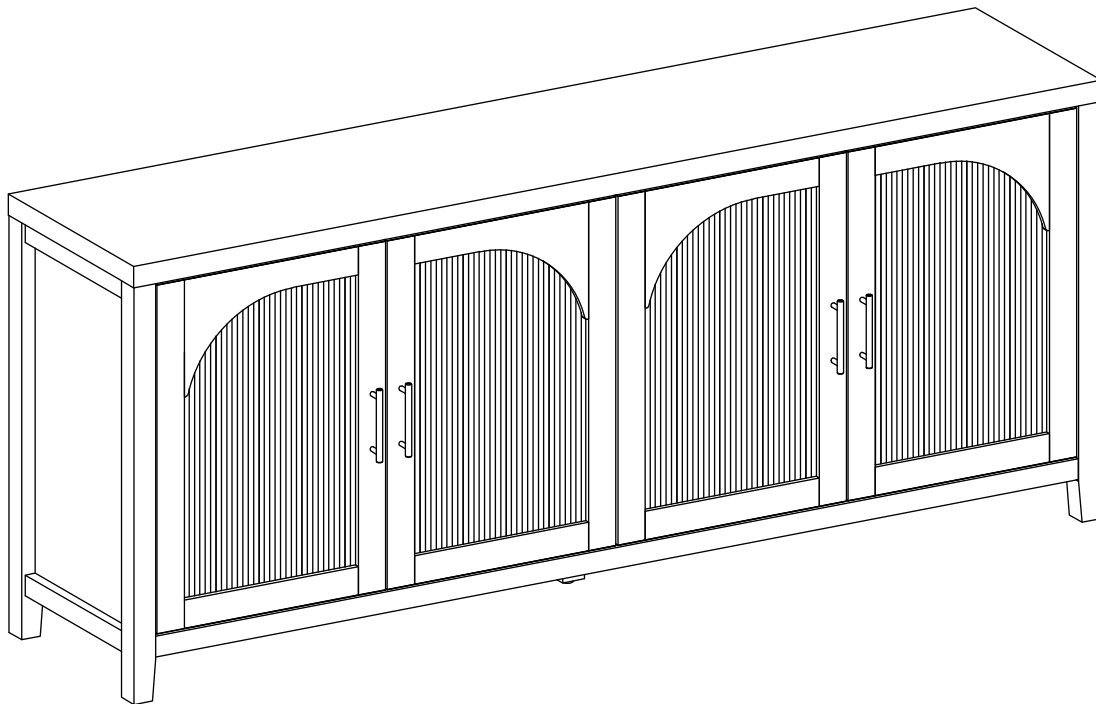


ASSEMBLY INSTRUCTION



Know more about Bestier from



CUSTOMER SUPPORT

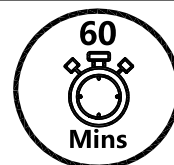
CONTACT US BY:
PHONE: 888-666-1086
EMAIL: Service@bestier.net

Thanks for choosing Bestier!
Feel free to contact us if you need any help.
Please kindly share your shopping experience
with us on the platform if you are satisfied with it.

Time to get started

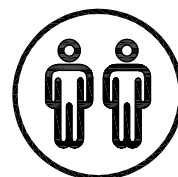
Set up a clean and soft workplace to get started and avoid damage during the assembly. It also helps to double-check you've got all the pieces and parts before diving in to assembly.

Estimated time for assembly



People recommended for assembly

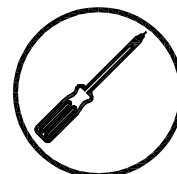
Make it a team effort! Grab a friend for quicker, easier assembly.



2 People Build

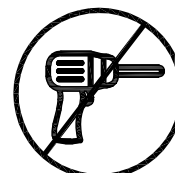
Tools Needed

Grab a Phillips head screwdriver to conquer this assembly



Use power tools with caution

You can cause cracking or damage to the material and easily strip the hardware. If you choose to use a power tool, your product will no longer be covered under Walker Edison' warranty.



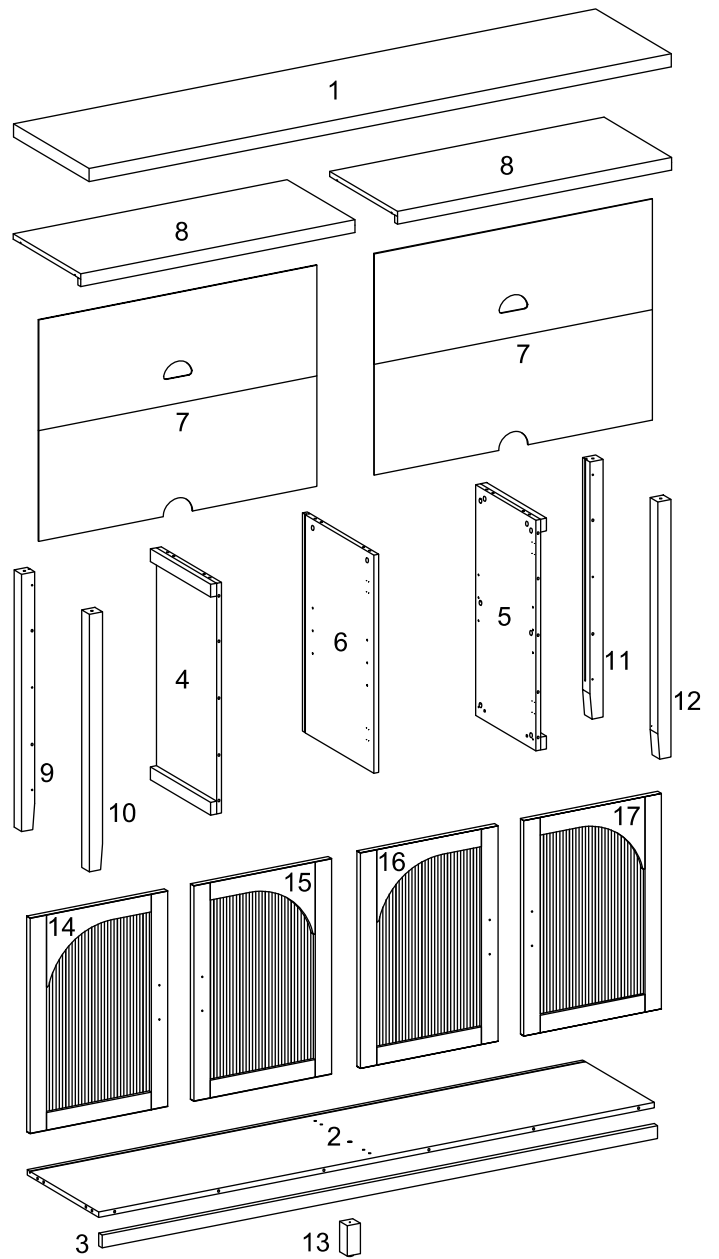
Glue is provided to secure wood dowels in place

When inserting dowels, locate the appropriate hole, place a small amount of glue in the hole, and then insert the dowel. Wipe away excess glue immediately.


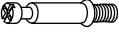


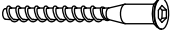


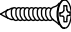

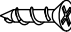

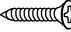

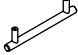
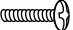


Parts List

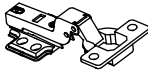

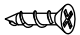




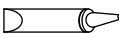
Part Number	Description	Quantity
1	Top Panel	1
2	Bottom Panel	1
3	Front Apron	1
4	Left Side Panel	1
5	Right Side Panel	1
6	Middle Divider Panel	1
7	Back Panel	2
8	Adjustable Shelf	2
9	Left Back Leg	1
10	Left Front Leg	1
11	Right Back Leg	1
12	Right Front Leg	1
13	Middle Foot	1
14	Left Door	1
15	Left Center Door	1
16	Right Center Door	1
17	Right Door	1



Hardware List

Part	Size	Name	Quantity
A	 8x30mm	Wooden dowel	26
B	 6x35mm	Cam bolt	26
C	 15x11mm	Cam lock	26
D	 30mm	Sticker	26
E	 6x50mm	Screw	3
F	 M 4mm	Hex key	1
G		Door stopper	2
H	 4x14mm	Screw	4
J		L shape bracket	2
K	 4x15mm	Screw	4
L		Plastic wedge	16
M	 3x17mm	Screw	16
N	 8x5x16mm	Shelf support pin	8
P		Handle	4
Q	 4x25mm	Handle Bolt	8

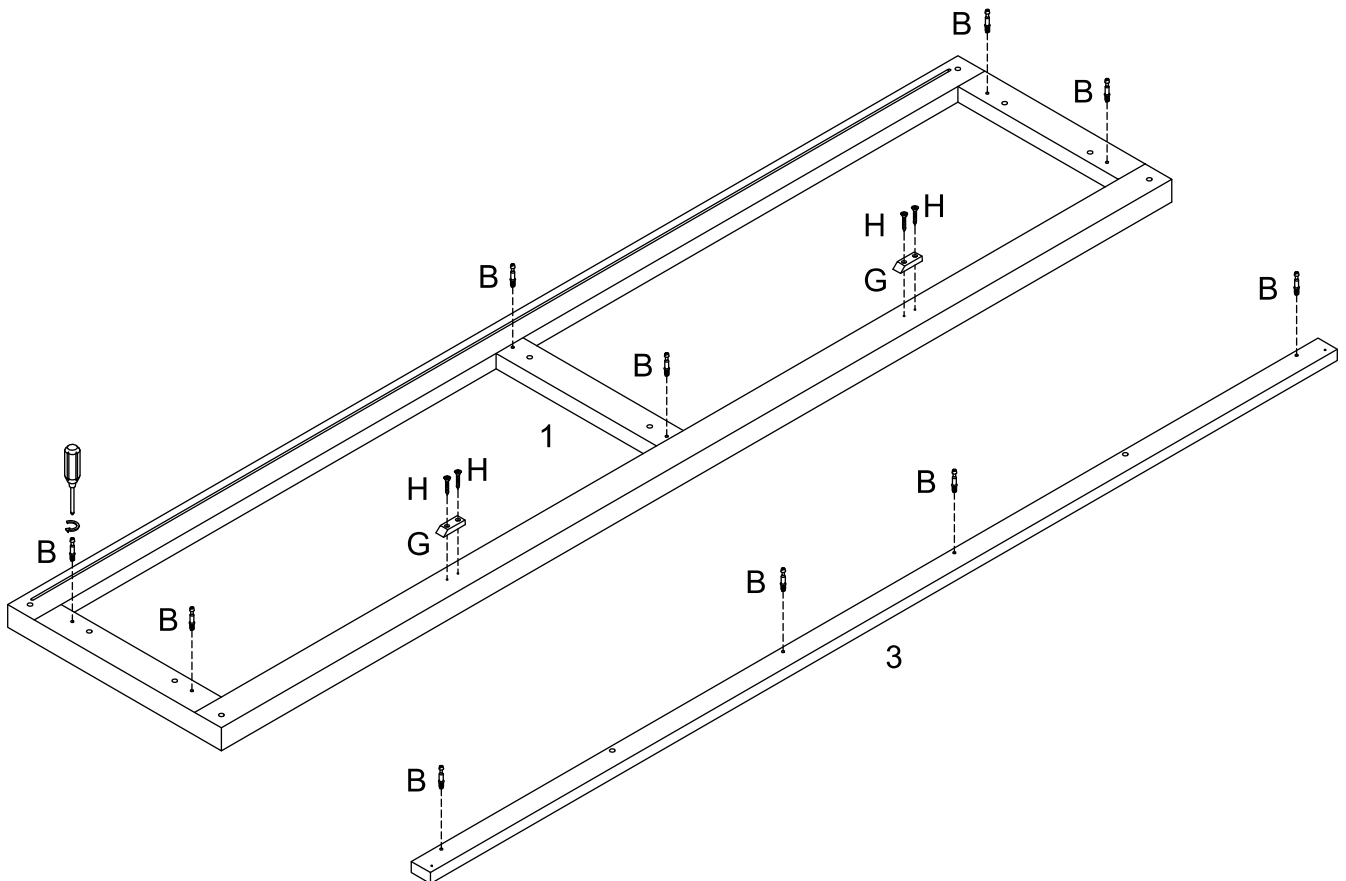
Hardware List

Part	Size	Name	Quantity
R	 35mm	Europe hinge	4
S	 35mm	Europe hinge	4
T	 4x13mm	Screw	48
U	 4x12mm	Screw	2
V	 4x25mm	Screw	2
W		Plastic strap	2
X		Nut	2
Y		Glue tube	2

*The hardware quantities listed above are required for proper assembly.
Extra hardware pieces may be included.*

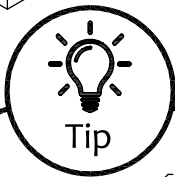
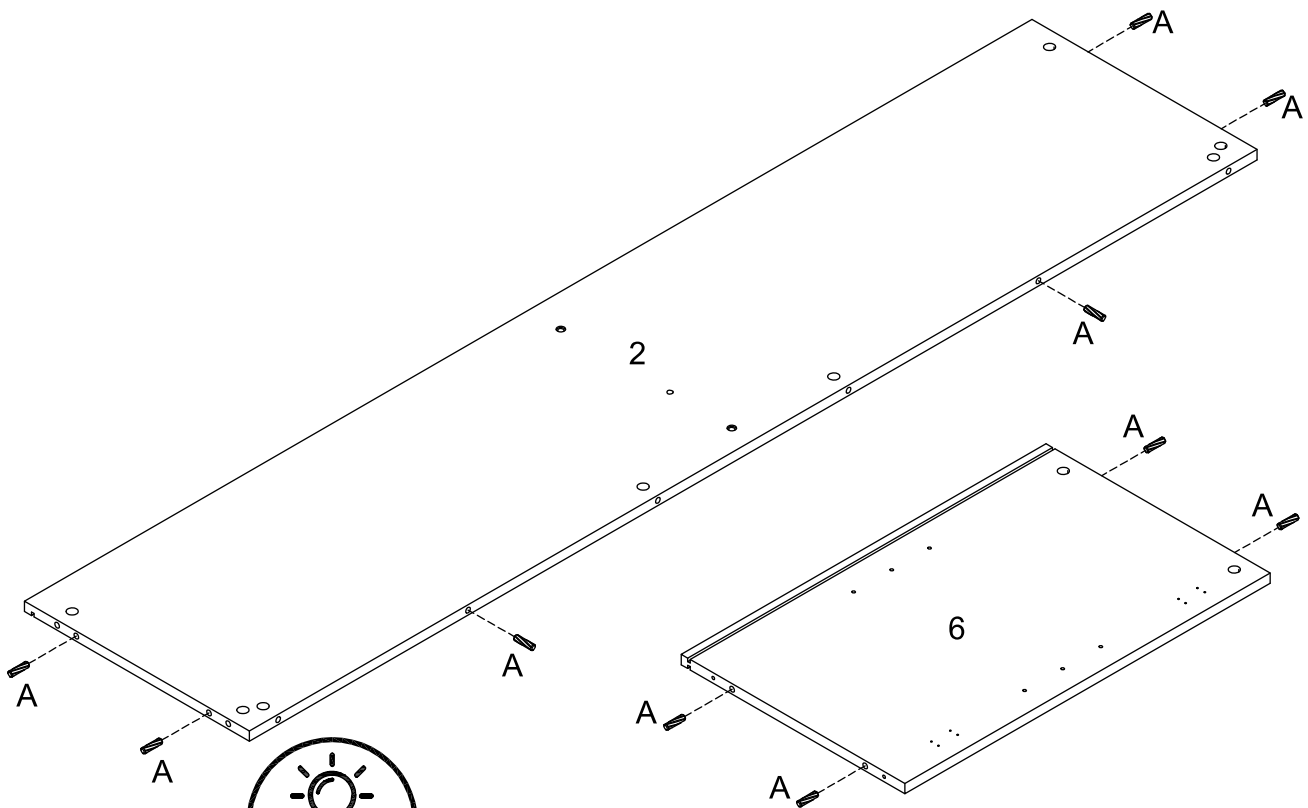
Step 1

Let's get started, shall we? Using a screwdriver, insert Cam Bolts (B) into the Top Panel (1) and the Front Apron (3). Then, attach the two Door Stoppers (G) to the Top Panel using 14mm Screws (H).

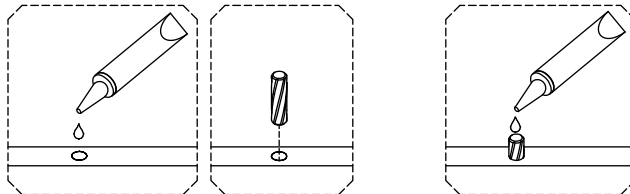


Step 2

Insert Wooden Dowels (A) into the Bottom Panel (2) and the Middle Divider Panel (6).



Tip

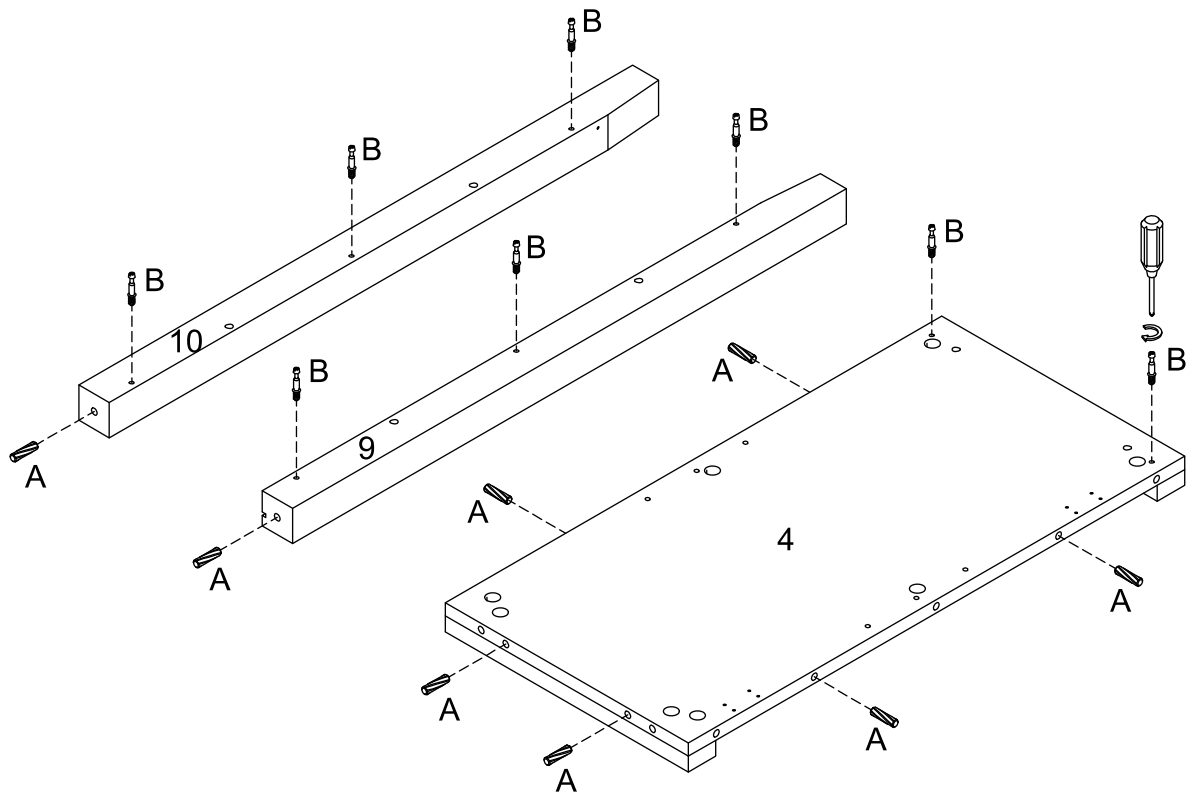


1: The provided glue is to secure wood dowels in place. When first inserting dowels, locate the appropriate hole for the dowel, place a small amount of glue in the hole and insert the dowel. Wipe away excess glue immediately.

2: In future assembly steps when dowels are necessary to attach assembly parts together, place a small amount of glue on the end of the dowel before attaching parts together. Wipe away excess glue immediately.

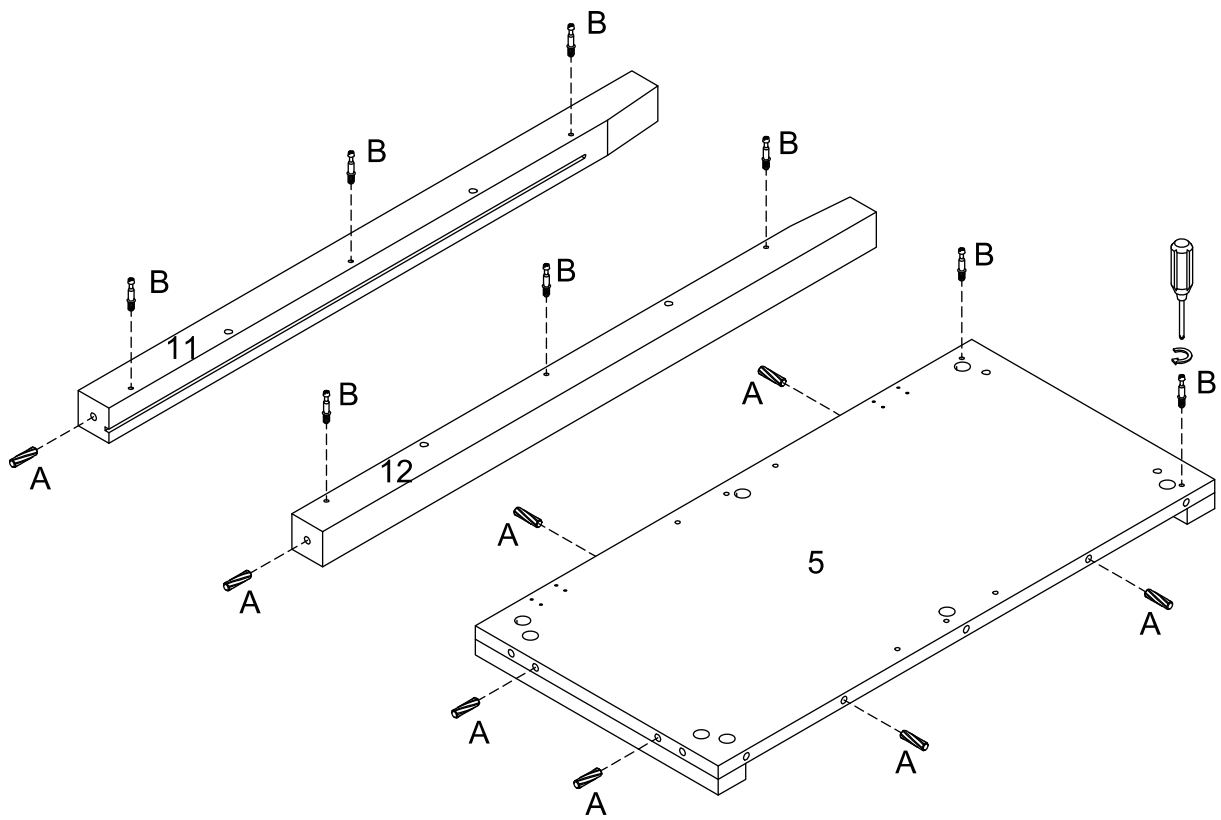
Step 3

Screw Cam Bolts (B) and insert Wooden Dowels (A) into the Left Side Panel (4), Left Back Leg (9), & Left Front Leg (10).



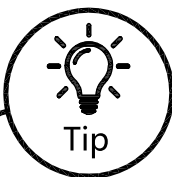
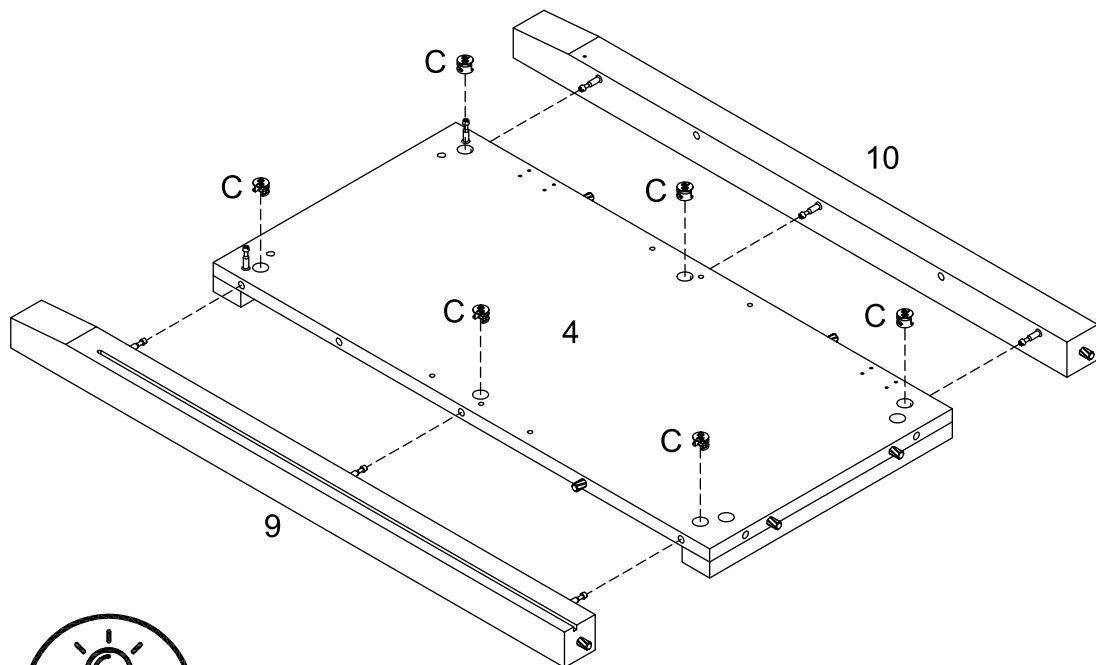
Step 4

Now, repeat for the other side. Screw Cam Bolts (B) and insert Wooden Dowels (A) into the Right Side Panel (5), Right Back Leg (11), & Right Front Leg (12).



Step 5

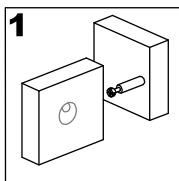
Now, connect the Left Back Leg (9) & Left Front Leg (10) to the Left Side Panel (4). Secure with Cam Locks (C).



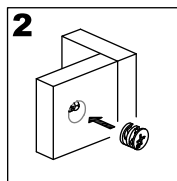
Tip

Cam Locks

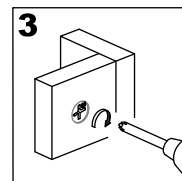
Cam Locks help securely join two pieces together.
Follow these easy steps.



1
1: Insert Cam Bolt into bolt holes on the flat side. Don't over tighten!



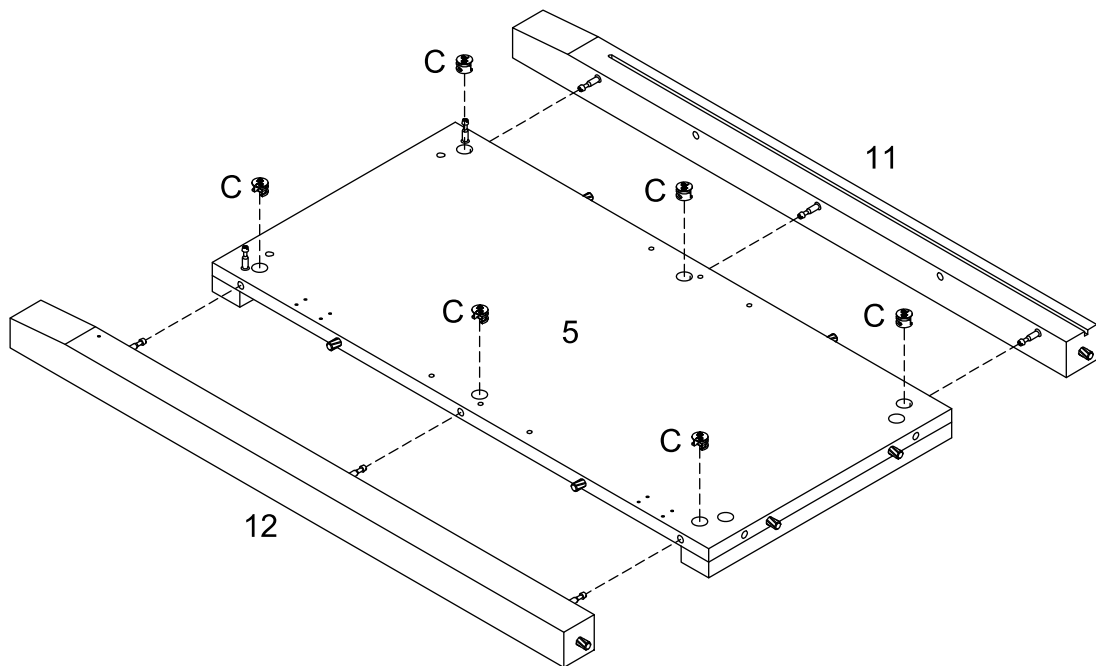
2
2: Fit the proper holes on the edge of the other part over the Cam Bolts. You should be able to see the cam bolts through the larger hole on the side.



3
3: On the back of the Cam Lock will be a "C" shape. Insert the Cam Lock so the opening of the "C" fits over the Cam Bolt. Tighten with the screwdriver.

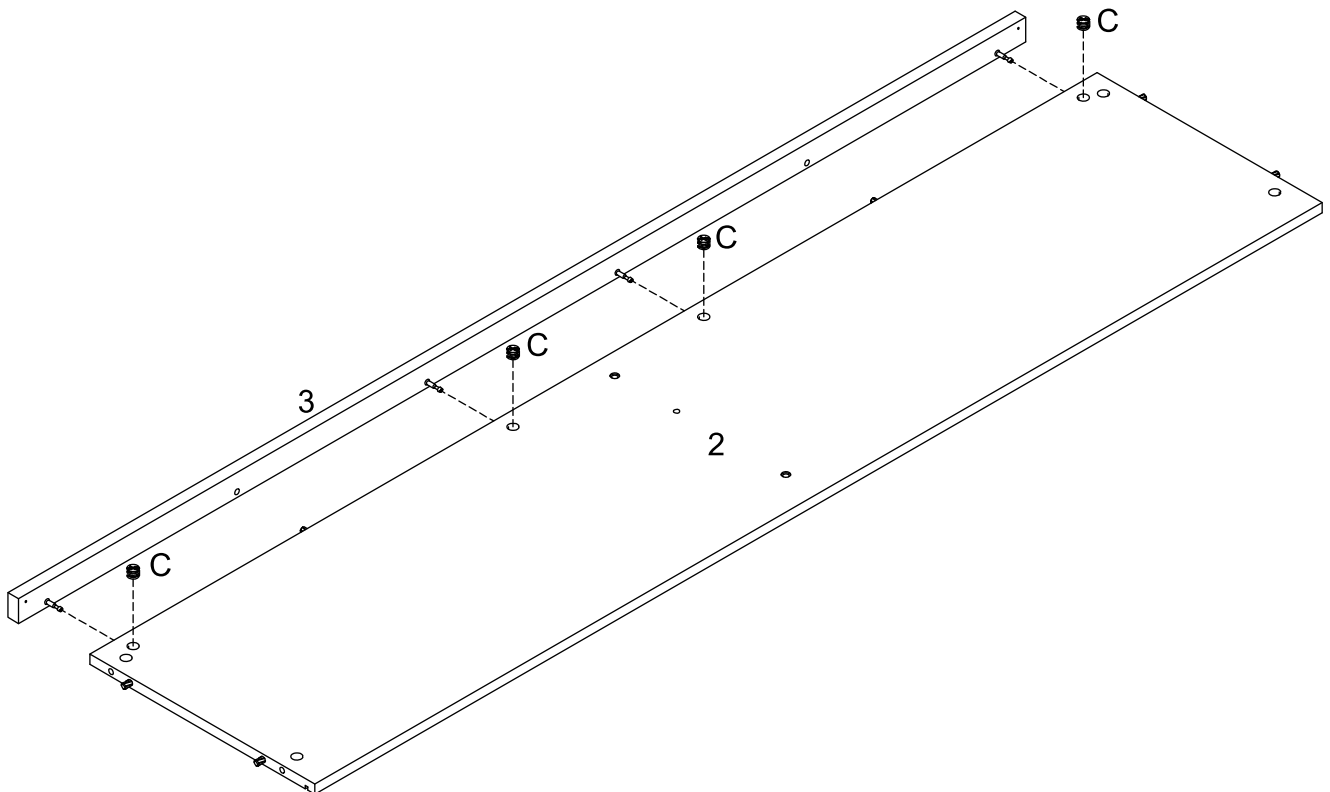
Step 6

Repeat the same process for the right side. Connect the Right Back Leg (11) & Right Front Leg (12) to the Right Side Panel (5). Secure with Cam Locks (C).



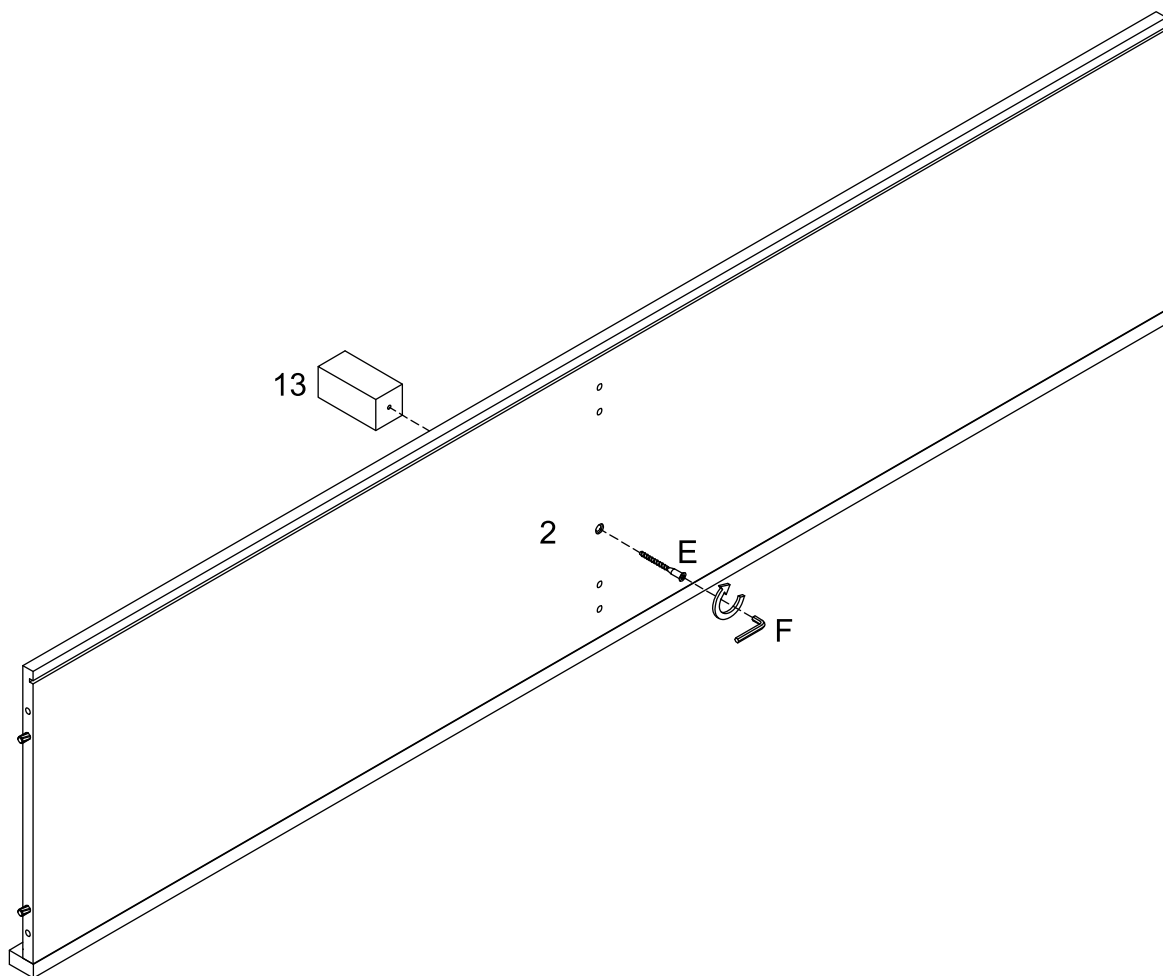
Step 7

Attach the Front Apron (3) to the Bottom Panel (2) and secure with Cam Locks (C).



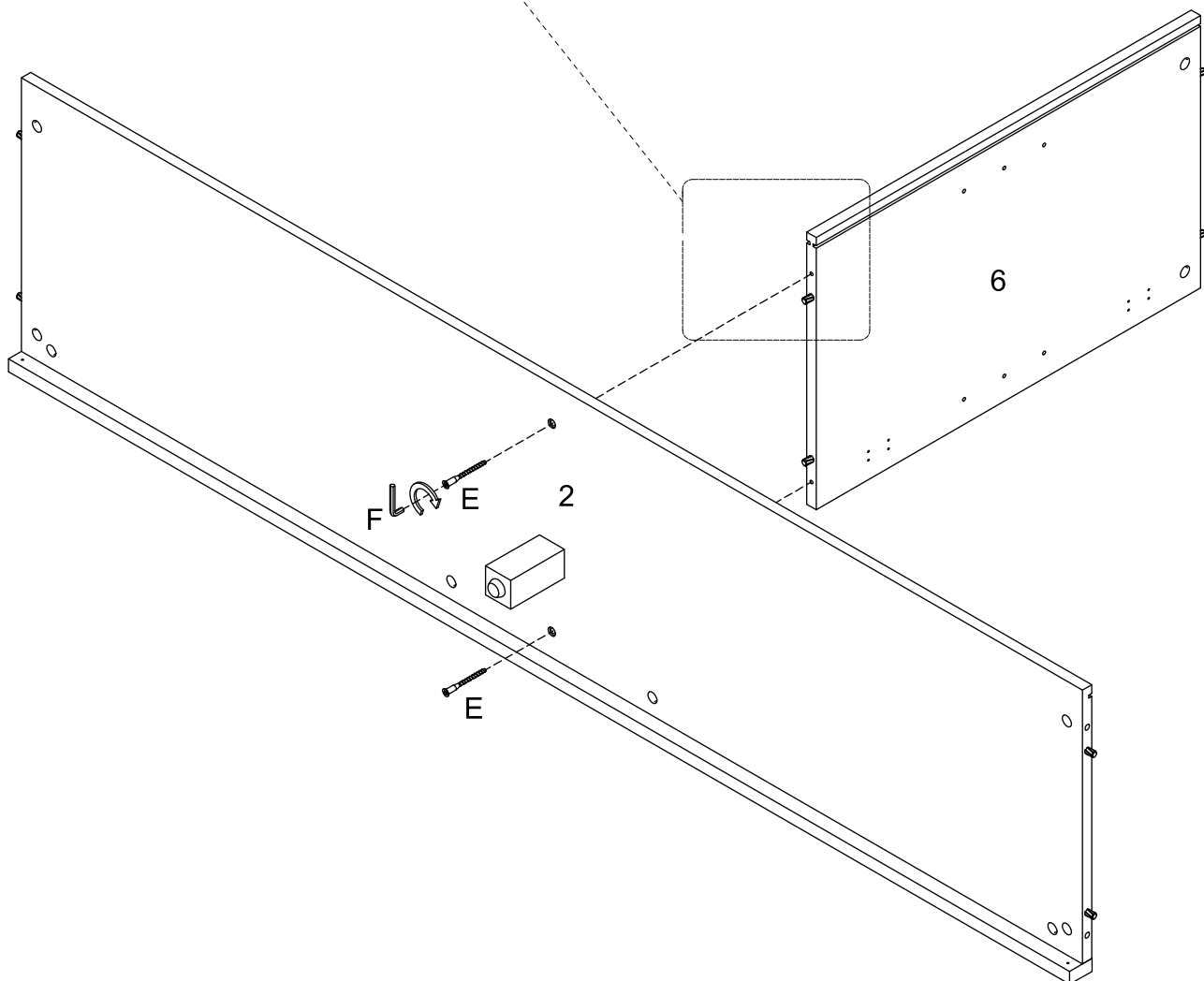
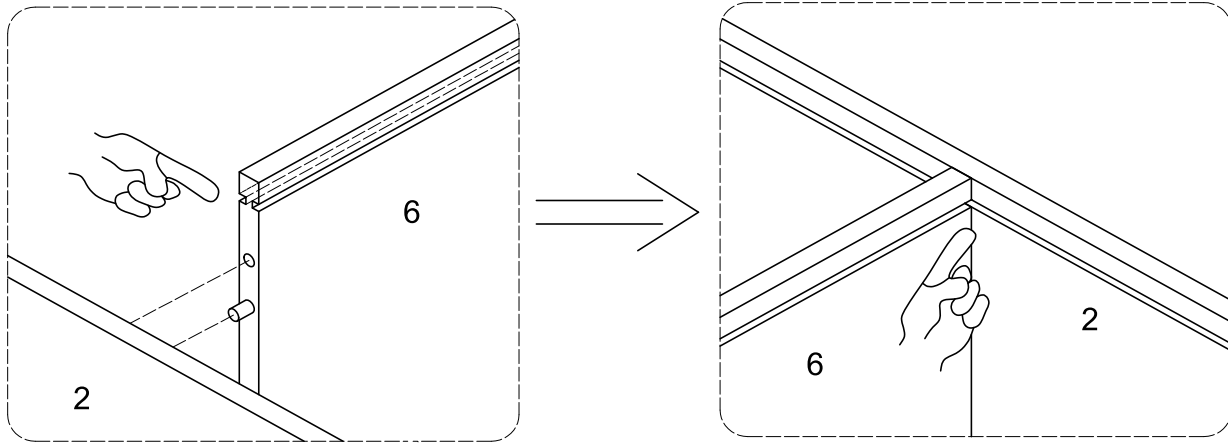
Step 8

Attach the Middle Foot (13) to the Bottom Panel (2) using a 50mm screw (E). Secure with your Hex Key (F).



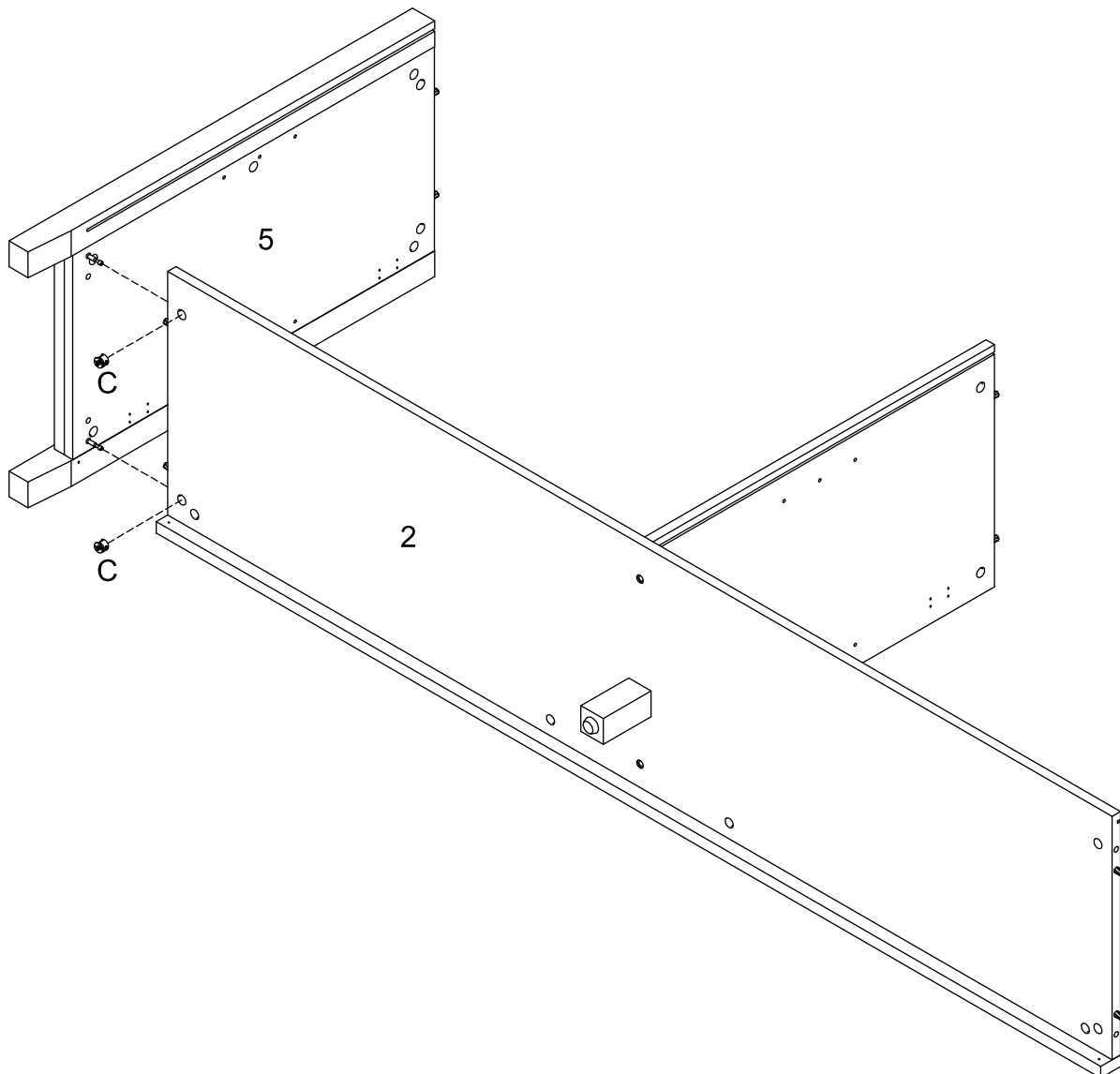
Step 9

Now, you will attach the Middle Divider Panel (6) to the top of the Bottom Panel (2) using 50mm Screws (E).



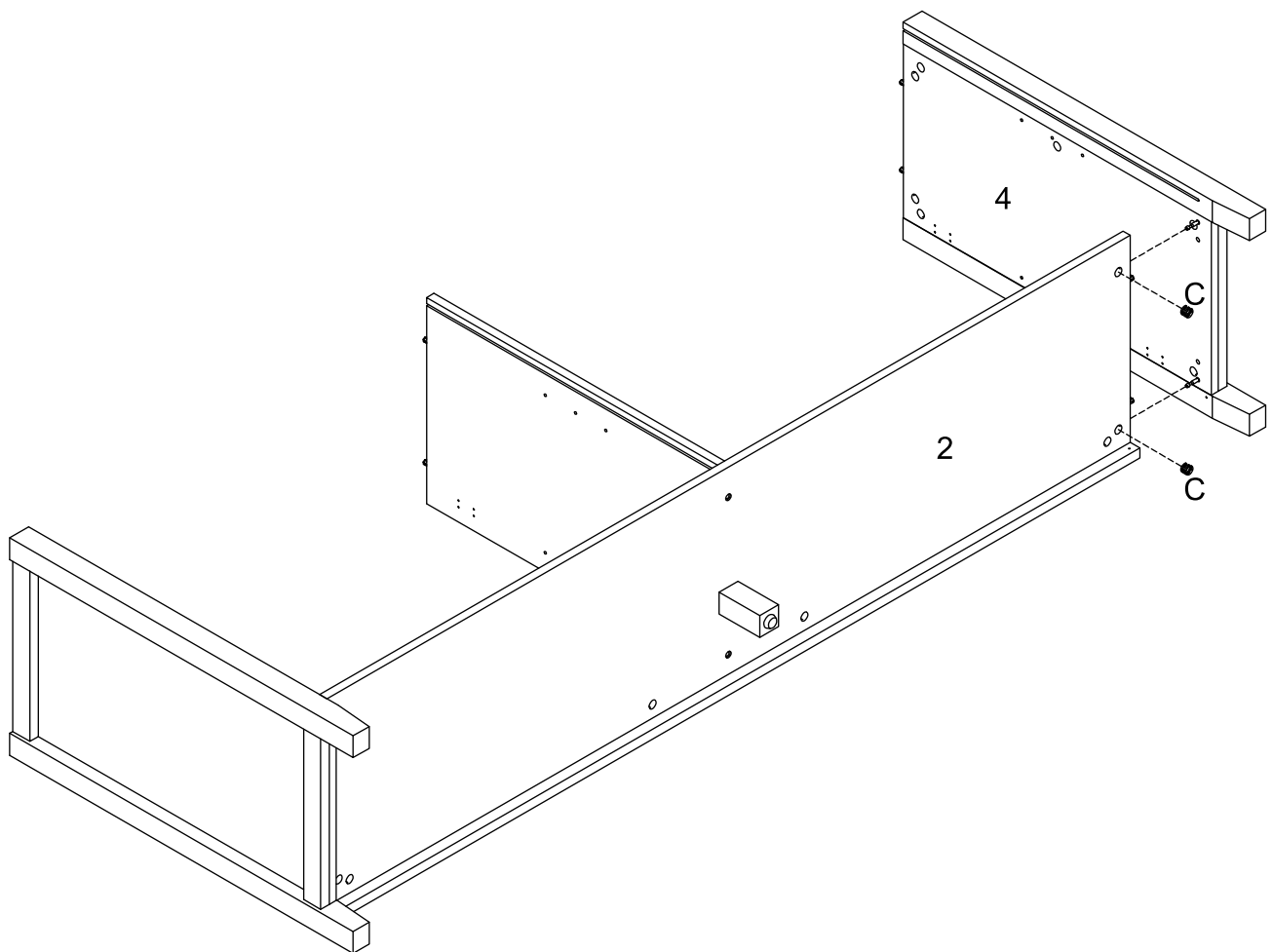
Step 10

Connect the Right Side Panel (5) to the Bottom Panel (2) and secure with Cam Locks (C)



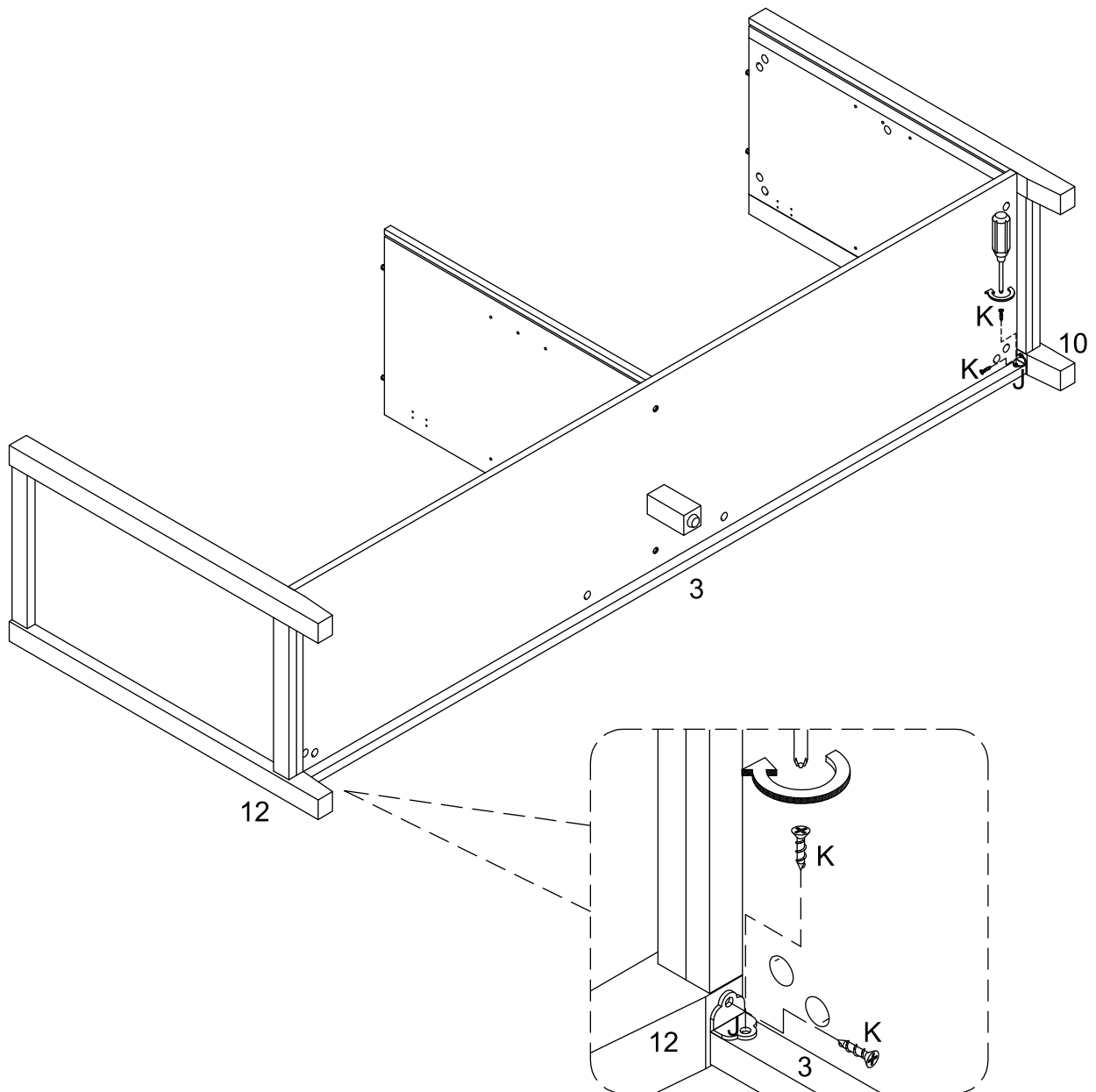
Step 11

Connect the Left Side Panel (4) to the Bottom Panel (2) and secure with Cam Locks (C).



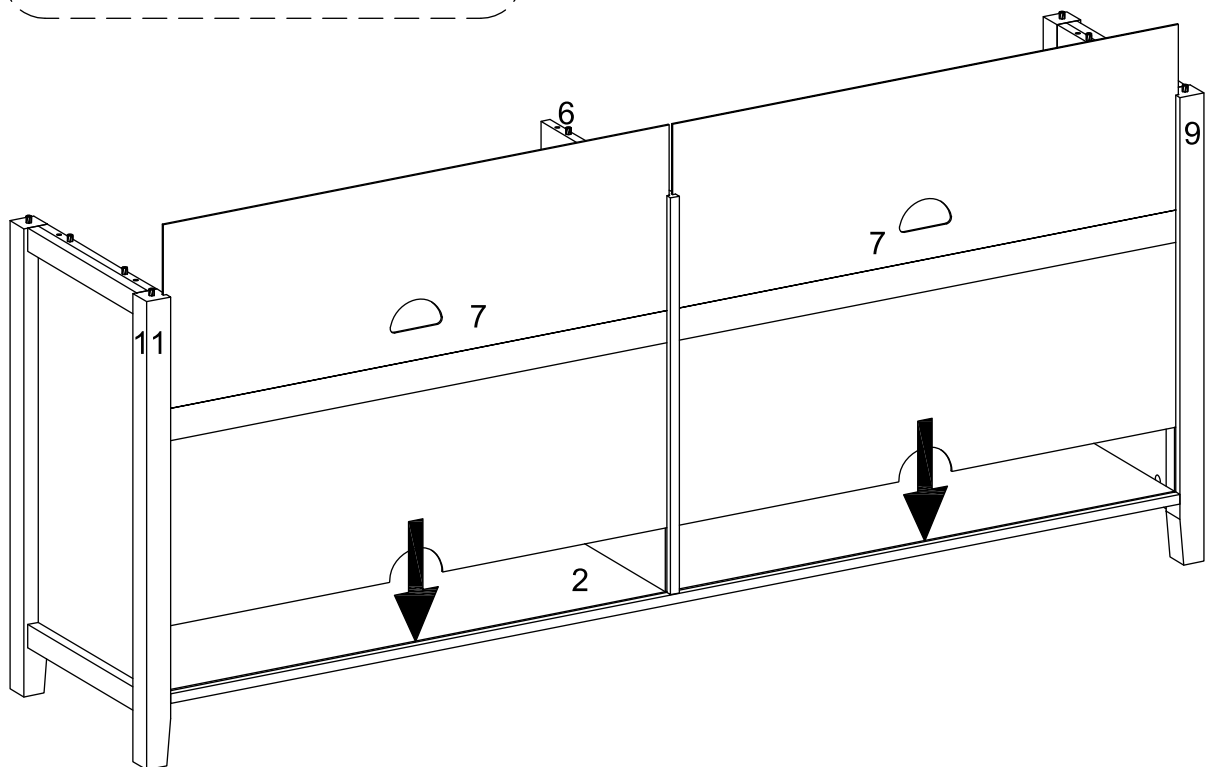
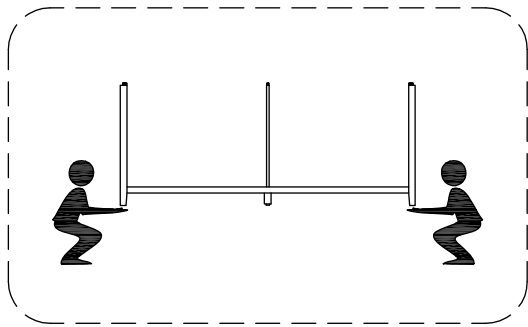
Step 12

Secure the corners of the Bottom Panel (2) with 15mm Screws (K).



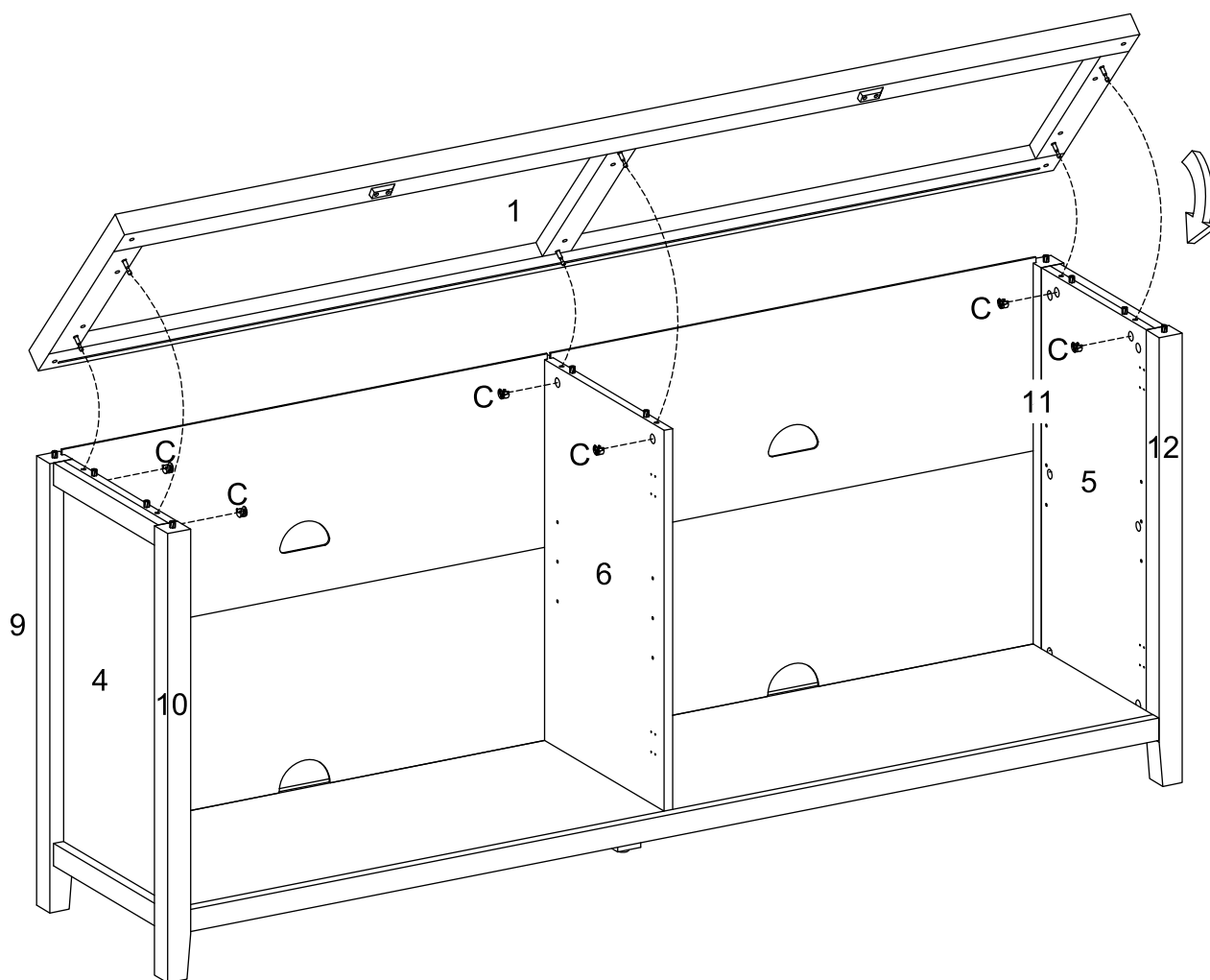
Step 13

Slide the two Back Panels (7) into place using the grooves.



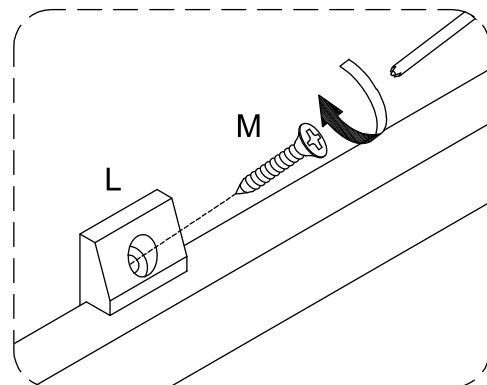
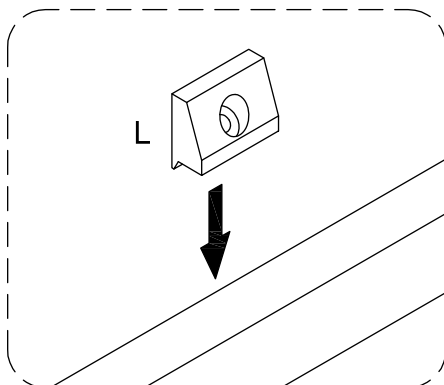
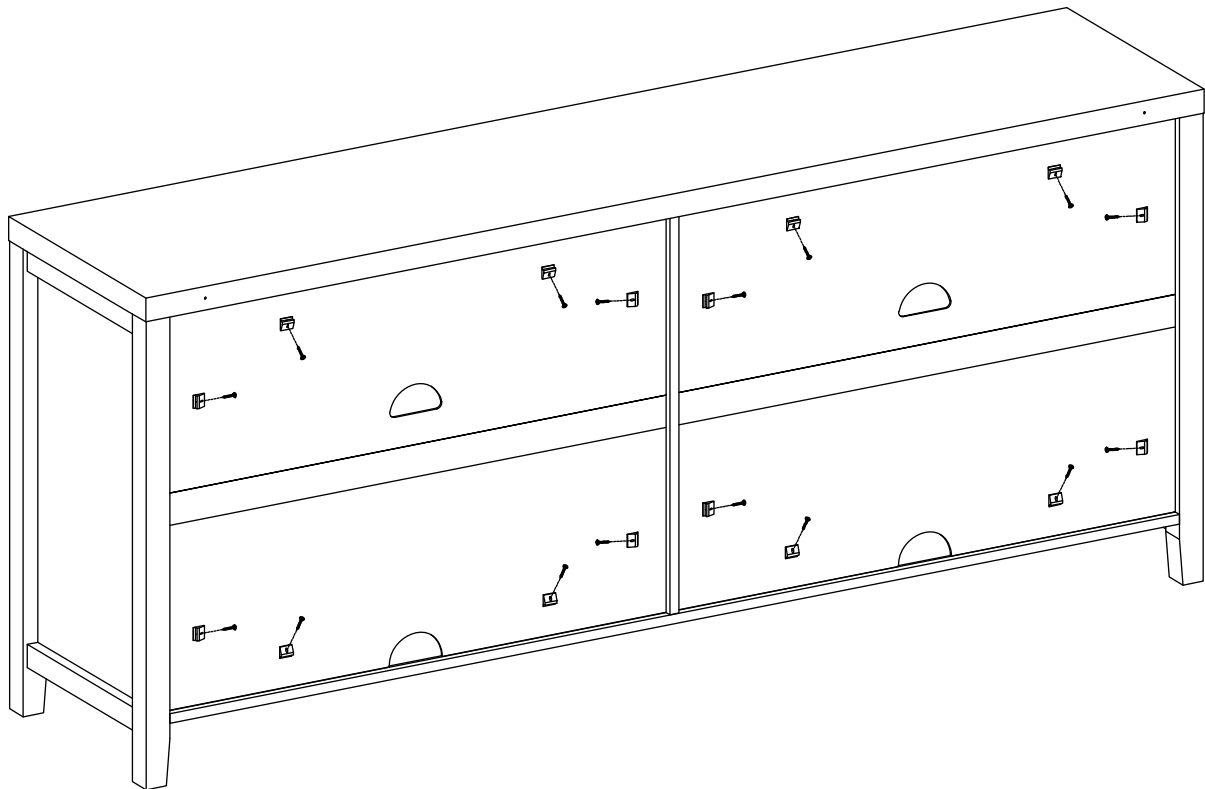
Step 14

Attach the Top Panel (1) to the sideboard frame using Cam Locks (C) to secure.



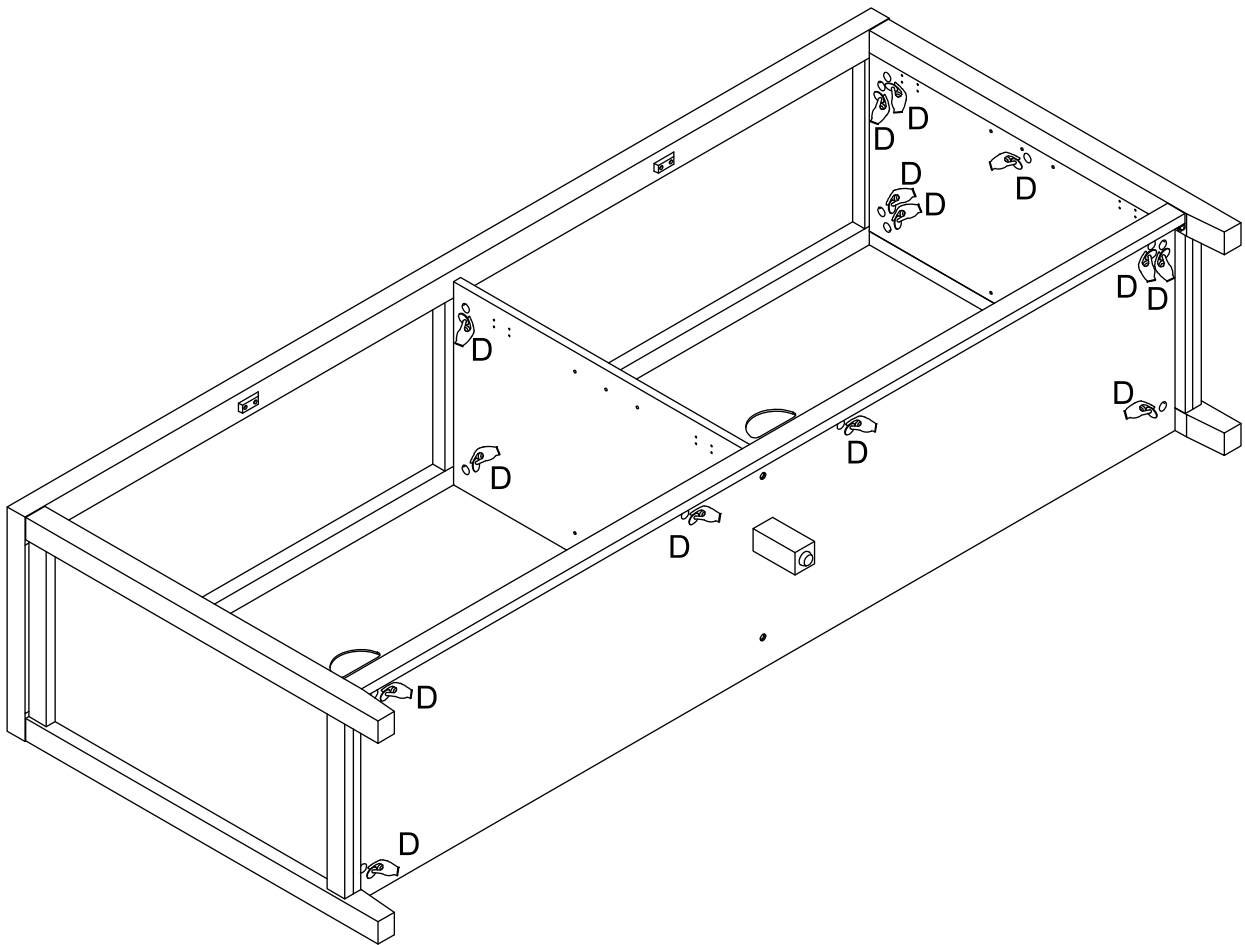
Step 15

Evenly space Plastic Wedges (L) in between the Back Panel and the frame. Secure with 17mm Screws (M).



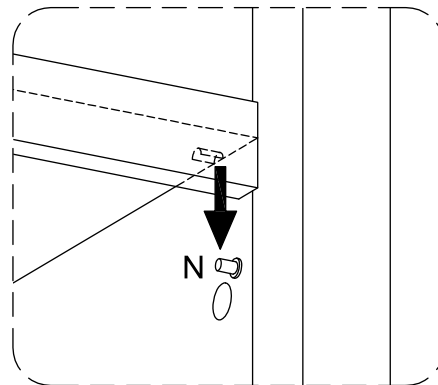
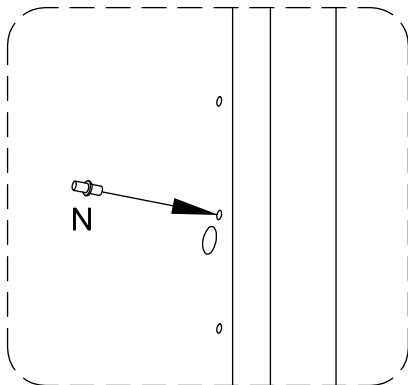
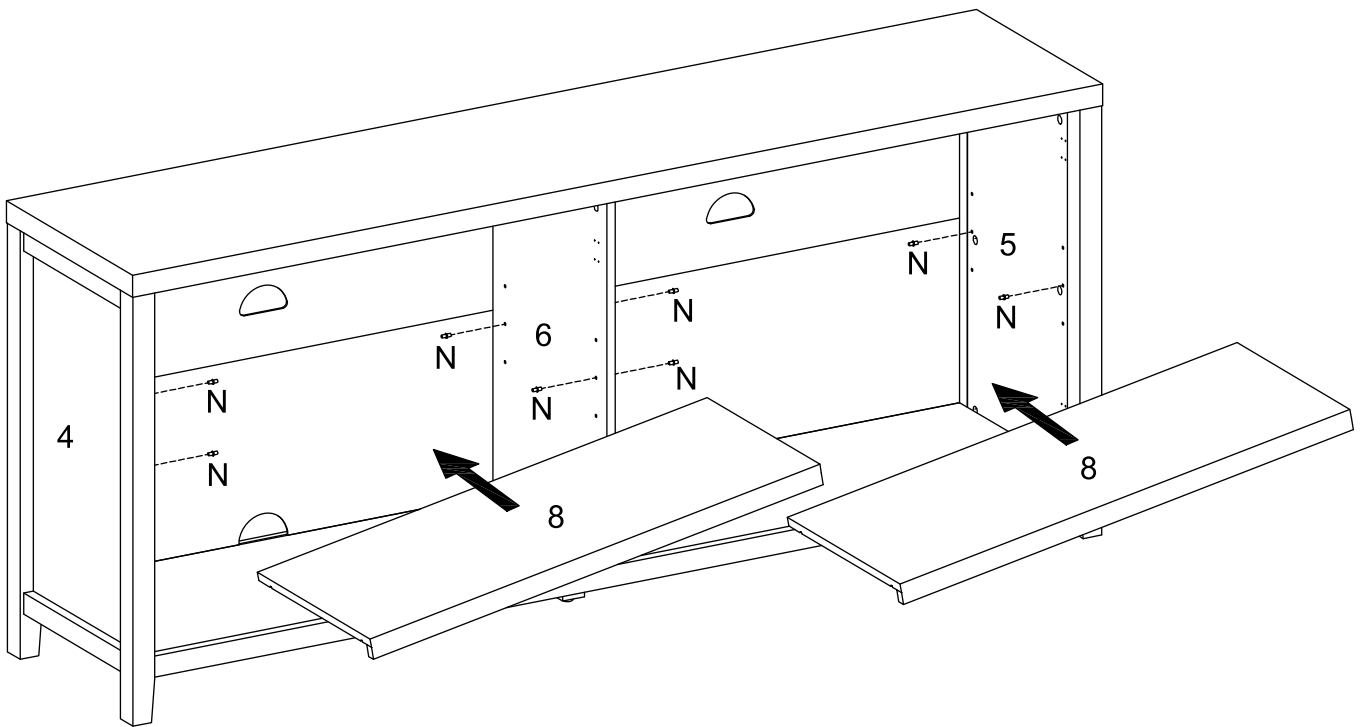
Step 16

Cover any visible Cam Locks (C) with Stickers (D).



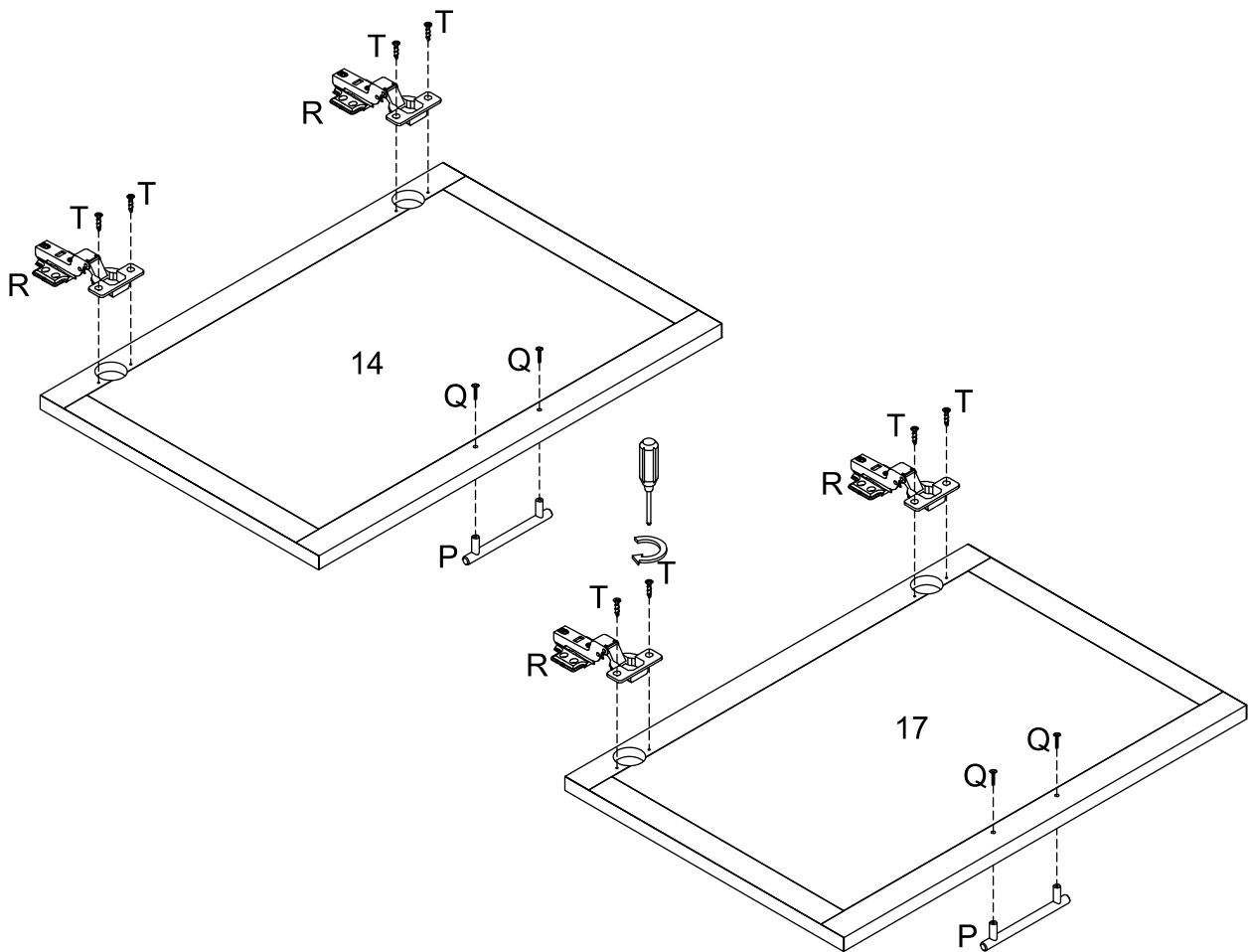
Step 17

Insert Shelf Support Pins (N) into the pre-drilled holes at your desired height, then slide the Adjustable Shelves (8) into place.



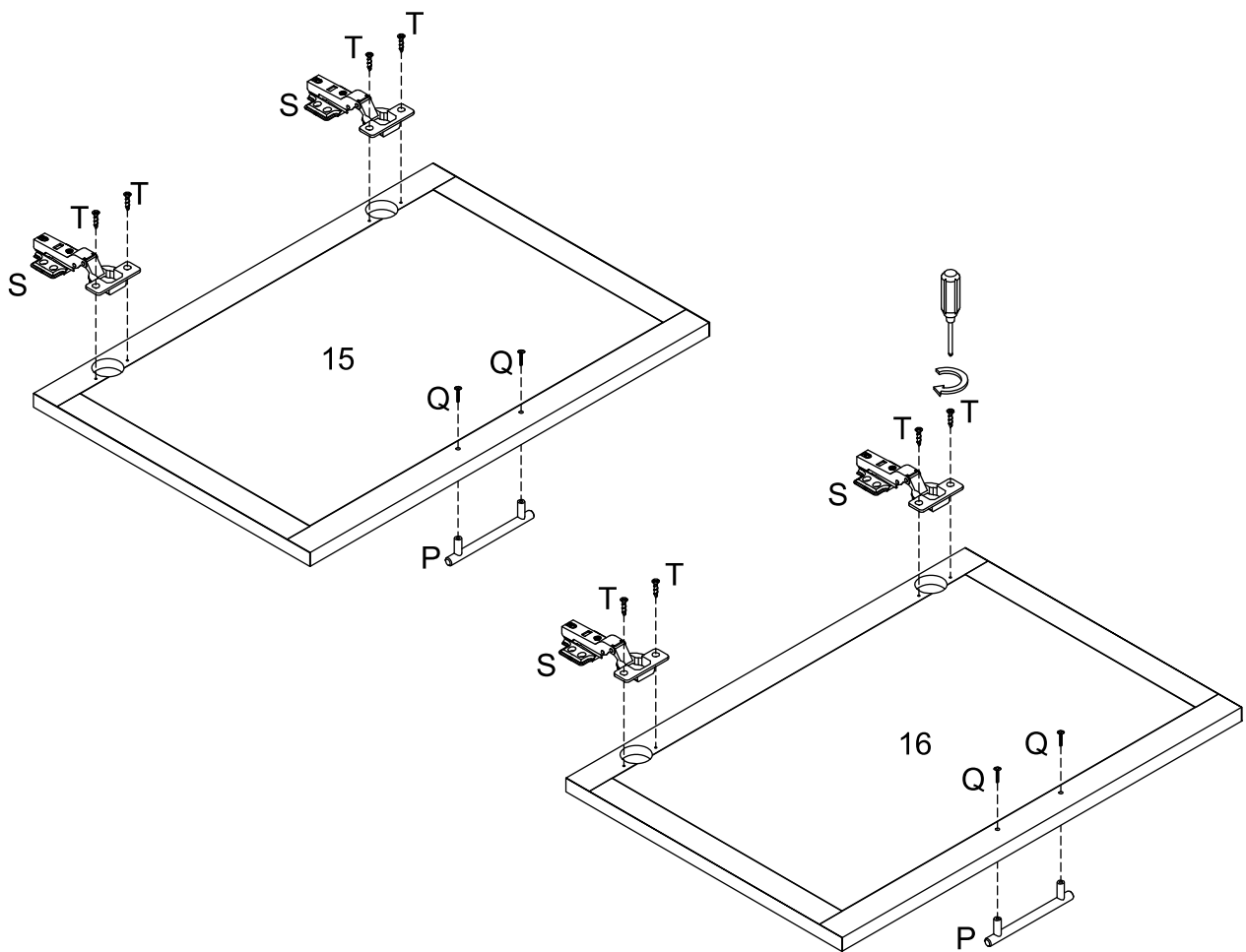
Step 18

Please note that there are two different types of hinges. Attach Europe Hinges (R) to the Left Door (14) & the Right Door (17) using 13mm Screws (T). Secure the Handles (P) to each door using Handle Bolts (Q).



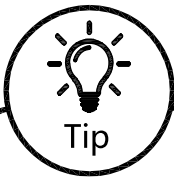
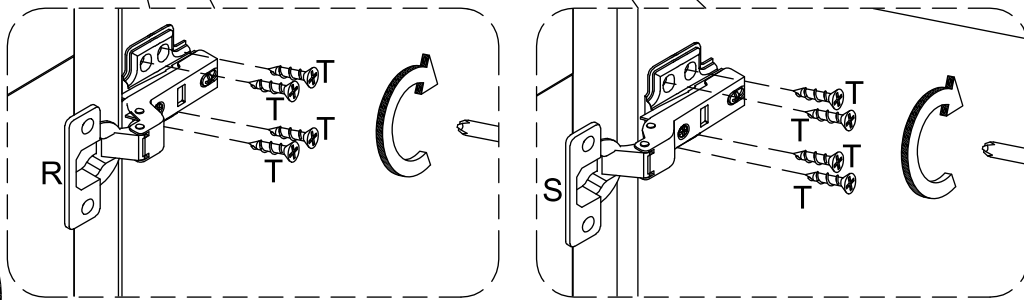
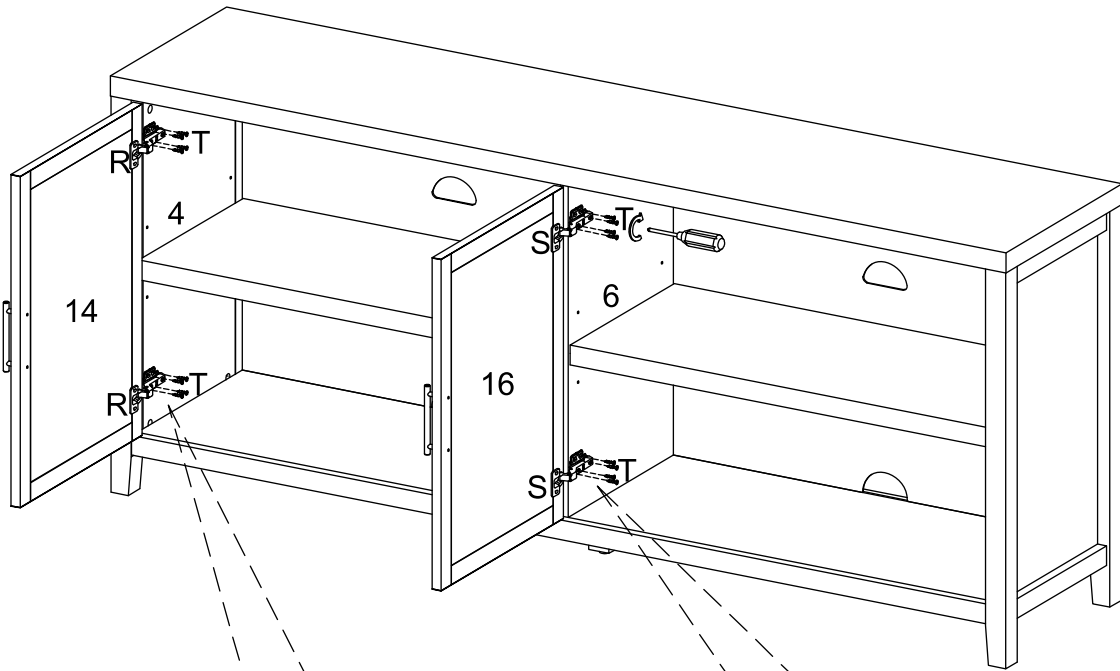
Step 19

Now, repeat for the other two doors. Attach the Europe Hinge (S) to the Left Center Door (15) and the Right Center Door (16) using 13mm Screws (T). Secure the Handles (P) to each door using the Handle Bolts (Q).



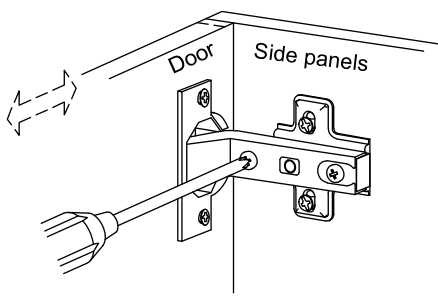
Step 20

Next, we'll attach the doors. Attach the hinges on the Left Door (14) and the Right Center Door (16) to the sideboard and secure with 13mm Screws (T). Pay careful attention to ensure that each door and hinge is attached to the correct area.

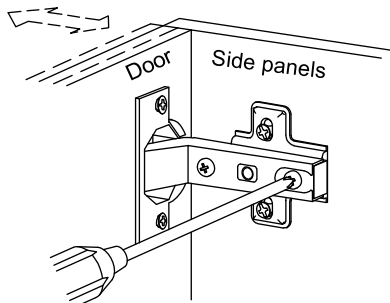


Tip

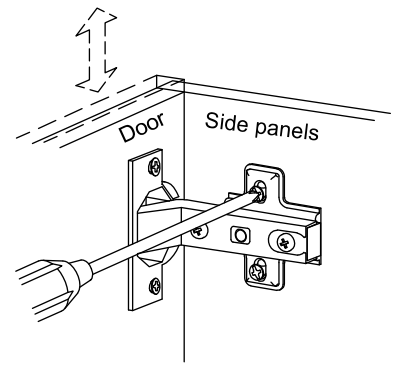
Adjusting The Cabinet Doors



Adjust horizontal width
with this screw



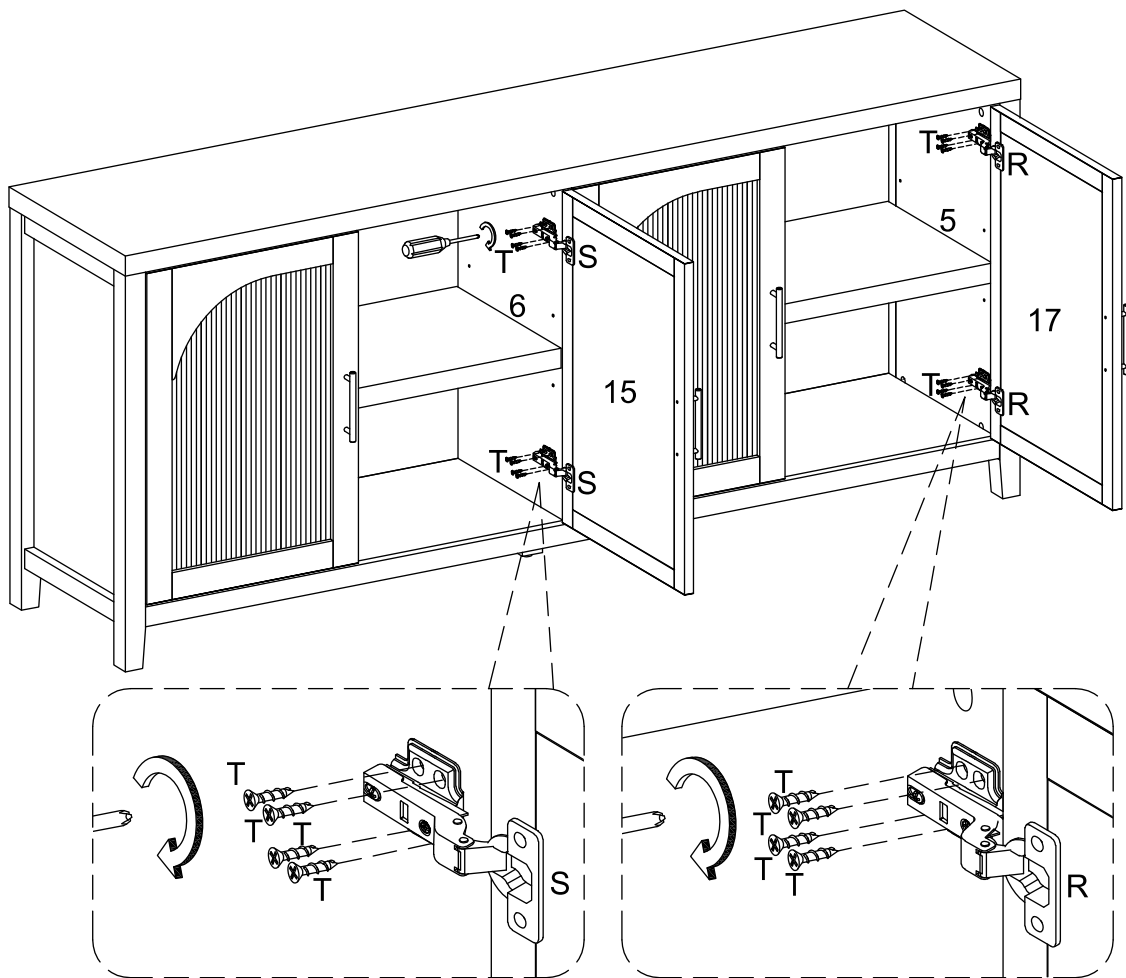
Adjust depth position
by loosening the hinge arm
mounting screw



Adjust vertical height
via the screws in the
mounting plate

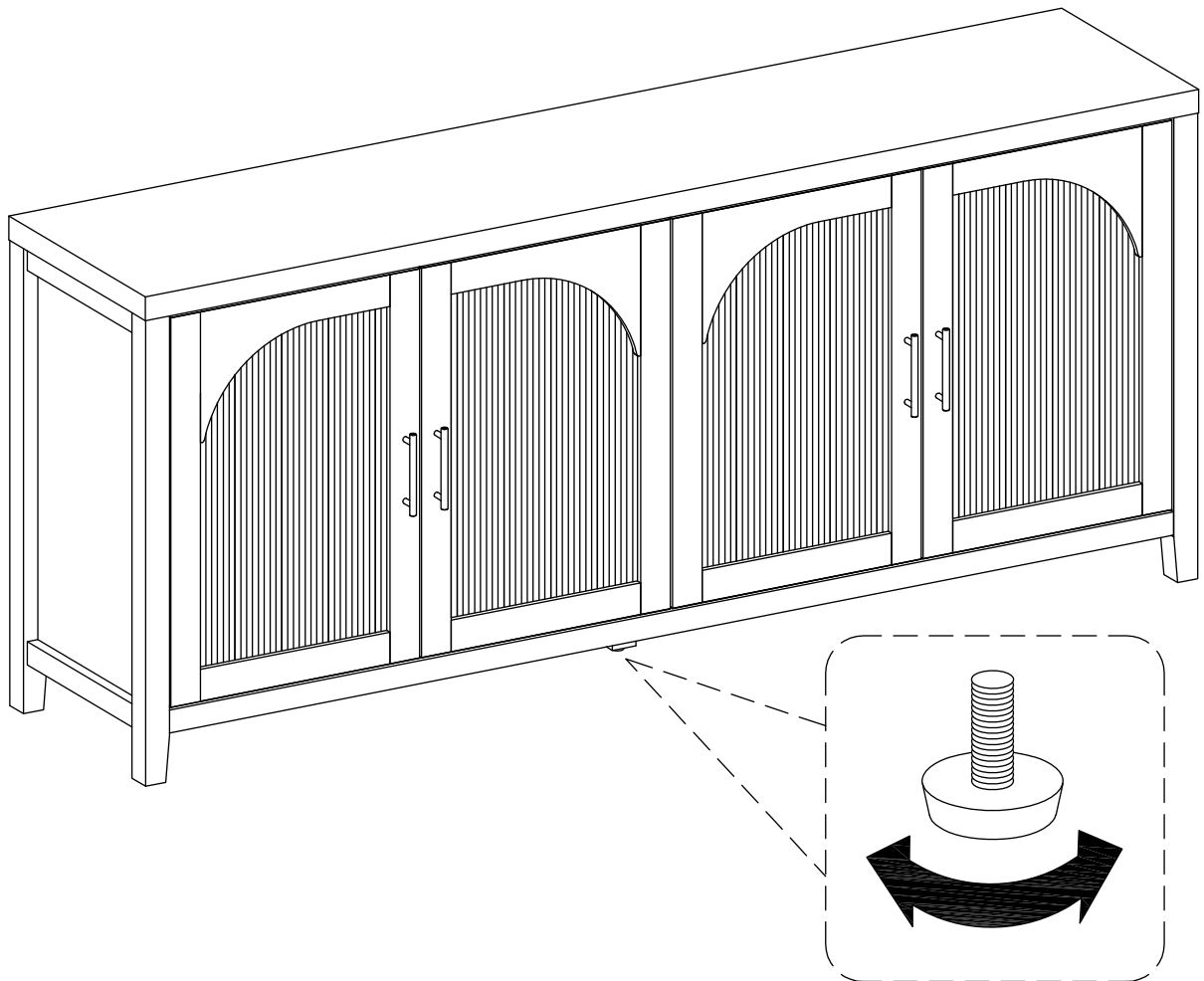
Step 21

Now, attach the hinges on the Left Center Door (15) and Right Door (17). Use the 13mm Screws (T) to secure.



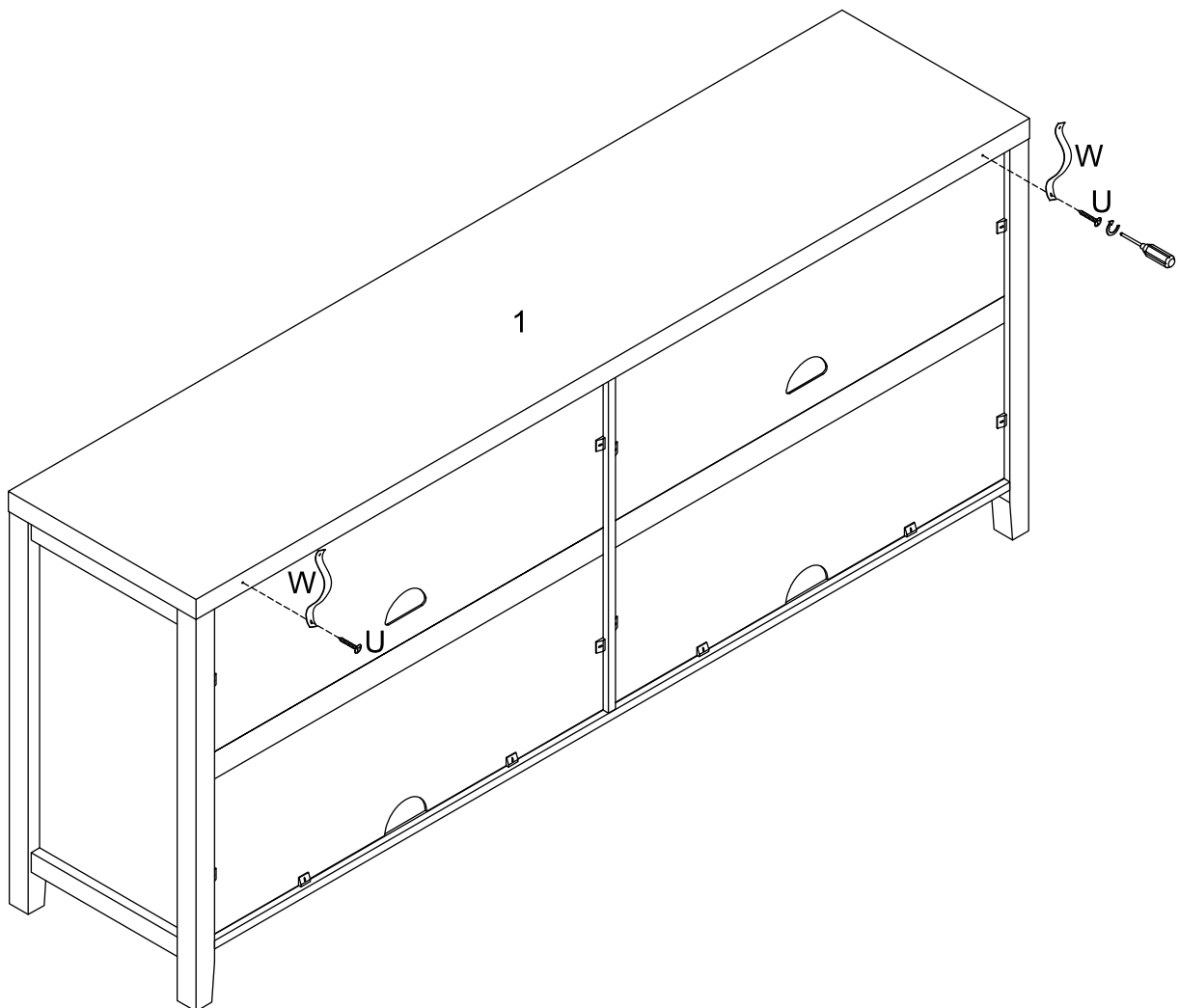
Step 22

Use the adjustable feet to ensure a level surface.



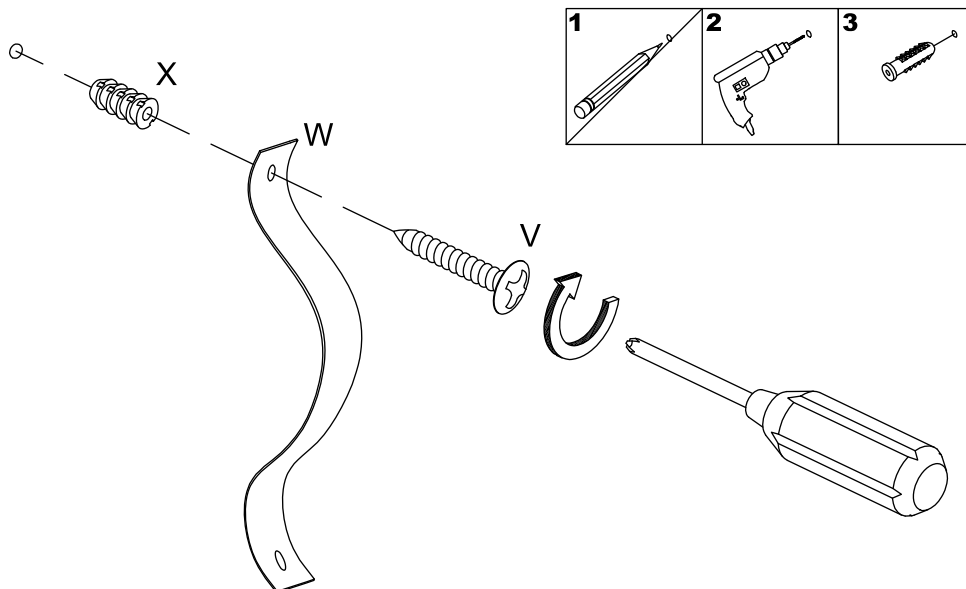
Step 23

You're so close now. Let's secure your sideboard to the wall. Using the 12mm Screws (U), attach the Plastic Straps (W) to the back of the sideboard.



Step 24

Now, pre-drill a hole into the wall and insert the Nut (X). Secure the Plastic Straps (W) to the wall using 25mm Screws (V).



Warning

Serious or fatal injuries can occur from furniture tipping over. To prevent the furniture from tipping over we recommend that it is permanently fixed to the wall. Wall anchor and hardware are included with this product. Please make sure hardware is suitable for your walls before installing, as different wall materials may require different types of anchors.

Final Assembly

Final assembly: Great work, you did it!

