

INSIGNIA™

USER GUIDE

# .7 Cu. Ft. Retro Compact Microwave

NS-MW7RM5/NS-MW7RM5-C/  
NS-MW7RR5/NS-MW7RR5-C/  
NS-MW7RC5/NS-MW7RC5-C



Before using your new product, please read these instructions to prevent any damage.

## Contents

SAFETY INFORMATION .....	3
GROUNDING INSTRUCTIONS .....	5
RADIO INTERFERENCE .....	5
Cookware and cooking materials .....	6
Materials you can use .....	6
Materials to be avoided .....	7
Package contents .....	7
Features .....	7
Microwave .....	8
Control panel .....	9
Setting up your microwave .....	10
Installing the turntable .....	11
Setting the clock and the timer .....	12
Setting the clock .....	12
Using the kitchen timer .....	12
Cooking in your microwave .....	13
Microwave cooking .....	13
Cooking quickly .....	14
Cooking with the auto menus .....	14
Using multi-stage cooking .....	15
Muting the sound .....	16
Using the energy saving (Eco) mode .....	16
Defrosting in your microwave .....	16
Defrosting by weight .....	16
Defrosting by time .....	17
Changing other microwave settings .....	17
Checking the time and power level .....	17
Using the child-lock .....	17
Resetting the turntable .....	17
Troubleshooting .....	17
Maintaining your microwave .....	18
Obtaining replacement parts .....	19
Specifications .....	19
ONE-YEAR LIMITED WARRANTY .....	20

# SAFETY INFORMATION

## PRECAUTIONS TO AVOID POSSIBLE EXPOSURE TO EXCESSIVE MICROWAVE ENERGY:

- 1 Do not attempt to operate this microwave with the door open because this can result in harmful exposure to microwave energy. It is important not to defeat or tamper with the safety interlocks.
- 2 Do not place any object between the microwave front face and the door or allow soil or cleaner residue to accumulate on sealing surfaces.
- 3 Do not operate the microwave if it is damaged. It is particularly important that the microwave door closes properly and that there is no damage to the:
  - (a) DOOR (bent)
  - (b) HINGES and LATCHES (broken or loosened)
  - (c) DOOR SEALS and SEALING SURFACES
- 4 The microwave should not be adjusted or repaired by anyone except properly qualified service personnel.

## IMPORTANT SAFETY INSTRUCTIONS

**WARNING:** To reduce the risk of burns, electric shock, fire, injury to persons, or exposure to excessive microwave energy when using your microwave, follow these basic safety precautions.

- 1 Read all instructions before using the microwave.
- 2 Read and follow the specific: **PRECAUTIONS TO AVOID POSSIBLE EXPOSURE TO EXCESSIVE MICROWAVE ENERGY**; found on page 3.
- 3 As with any cooking appliances, close supervision is necessary to reduce the risk of a fire in the microwave cavity or when used by children.
- 4 To reduce the risk of fire in the microwave cavity:
  - Do not overcook food. Carefully attend the microwave when paper, plastic, or other combustible materials are placed inside the microwave to facilitate cooking.
  - Remove wire twist-ties and metal handles from paper or plastic containers/bags before placing them in the microwave.
  - If materials inside the microwave ignite, keep the microwave door closed. Turn the microwave off and unplug the microwave or shut off power at the fuse or circuit breaker panel.
  - Do not use the microwave cavity for storage purposes. Do not leave paper products, cooking utensils, or food in the cavity when not in use.
- 5 This microwave must be grounded. Connect only to a properly grounded outlet. See **GROUNDING INSTRUCTIONS** found on page 5.
- 6 Install or locate this appliance only in accordance with the provided installation instructions.

- 7 Some products, such as whole eggs and sealed containers (for example closed glass jars), are able to explode and should not be heated in this microwave.
- 8 Use this microwave only for its intended purpose, as described in this manual. Do not use corrosive chemicals or vapors in this microwave. This microwave is specifically designed to heat, cook, or dry food. It is not designed for industrial or laboratory use.
- 9 **HOT CONTENTS CAN CAUSE SEVERE BURNS. DO NOT ALLOW CHILDREN TO USE THE MICROWAVE.** Use caution when removing hot items. Do not operate this microwave if it has a damaged cord or plug, if it is not working properly, or if it has been damaged or dropped.
- 10 This microwave should be serviced only by qualified service technicians. Contact the nearest authorized service facility for examination, repair, or adjustment.
- 11 Do not cover or block any openings on the microwave.
- 12 Do not store or use this microwave outdoors.
- 13 Do not use this microwave near water (for example, near a kitchen sink, in a wet basement, near a swimming pool, or similar locations).
- 14 Do not immerse the cord or plug in water.
- 15 Keep the cord away from heated surfaces.
- 16 Do not let the cord hang over the edge of a table or counter.
- 17 When cleaning the surfaces of the door and the microwave that come together on closing the door, use only mild, nonabrasive soaps or detergents applied with a sponge or soft cloth.
- 18 Liquids, such as water, coffee, or tea can be overheated beyond the boiling point without appearing to be boiling. Visible bubbling or boiling when the container is removed from the microwave is not always present. **THIS COULD RESULT IN VERY HOT LIQUIDS SUDDENLY BOILING OVER WHEN THE CONTAINER IS DISTURBED OR A SPOON OR OTHER UTENSIL IS INSERTED INTO THE LIQUID.**
  - Do not overheat the liquid.
  - Stir the liquid both before and halfway through heating it.
  - Do not use straight-sided containers with narrow necks.
  - After heating, allow the container to stand in the microwave for a short time before removing the container.
  - Use extreme care when inserting a spoon or other utensil into the container.

**WARNING:** Handling the power cord on this microwave, or cords associated with accessories sold with this microwave, will expose you to lead, a chemical known to the state of California to cause cancer and birth defects or other reproductive harm.  
**Wash your hands after handling.**

## SAVE THESE INSTRUCTIONS

# GROUNDING INSTRUCTIONS

This appliance must be grounded. In the event of an electrical short circuit, grounding reduces the risk of electric shock by providing an escape wire for the electric current. This appliance is equipped with a cord having a grounding wire with a grounding plug. The plug must be plugged into an outlet that is properly installed and grounded.



## **DANGER - Electric Shock Hazard**

Touching some of the internal components can cause serious personal injury. Do not disassemble this appliance.



## **WARNING - Electric Shock Hazard**

Improper use of the grounding plug can result in electric shock. Do not plug into an outlet until the appliance is properly installed and grounded.

Consult a qualified electrician or serviceman if the grounding instructions are not completely understood, or if doubt exists as to whether the appliance is properly grounded.

- 1 A short power supply cord is provided to reduce the risks resulting from becoming entangled in or tripping over a longer cord.
- 2 Longer cord sets or extension cords are available and may be used if care is exercised in their use.
- 3 If a long cord or extension cord is used:
  - The marked electrical rating of the cord set or extension cord should be at least as great as the electrical rating of the appliance.
  - The extension cord must be a grounding-type 3-wire cord.
  - The longer cord should be arranged so that it will not drape over the counter top or tabletop where it can be pulled on by children or tripped over unintentionally.

# RADIO INTERFERENCE

- 1 Operation of the microwave may cause interference to your radio, TV, or similar equipment.
- 2 When there is interference, it may be reduced or eliminated by taking the following measures:
  - Clean the door and the sealing surface of the microwave.
  - Reorient the receiving antenna of the radio or television.
  - Relocate the microwave with respect to the receiver.
  - Move the microwave away from the receiver.
  - Plug the microwave into a different outlet so that the microwave and receiver are on different branch circuits.
- This device complies with part 18 of the FCC Rules (US versions only).

## Cookware and cooking materials

**WARNING:** Personal Injury Hazard

Tightly-closed containers could explode. Closed containers should be opened and plastic pouches should be pierced before cooking.

Cookware and other materials must fit on the turntable. Always use oven mitts or pot holders because cookware may become hot.

Refer to the [Materials you can use](#) on page 6 and [Materials to be avoided](#) on page 7 tables as a guide, then test before using.

There may be certain non-metallic utensils that are not safe to use for microwaving. If in doubt, you can test the utensil in question following the procedure below.

### Utensils test

- 1 Fill a microwave-safe container with 1 cup (250 ml) of cold water, along with the utensil in question.
- 2 Cook on maximum power for one minute. **Do not exceed one minute cooking time.**
- 3 Carefully feel the utensil. If the empty utensil is warm, do not use it for microwave cooking.
- 4 To prevent the risk of fire, do not put hot pads, blankets, clothes, or other textiles in the microwave.

### Materials you can use

MATERIAL	REMARKS
Browning dish	Follow the manufacturer's instructions. The bottom of the browning dish must be at least 3/16-in. (5 mm) above the turntable. Incorrect usage may cause the turntable to break.
Dinnerware	Use microwave-safe only. Follow the manufacturer's instructions. Do not use cracked or chipped dishes.
Glass jars	Always remove the lid. Use only to heat food until just warm. Most glass jars are not heat resistant and may break.
Glassware	Use heat-resistant oven glassware only. Make sure that there is no metallic trim. Do not use cracked or chipped dishes.
Oven cooking bags	Follow the manufacturer's instructions. Do not close with a metal tie. Make slits to let steam escape.
Paper plates and cups	Use for short-term cooking/warming only. Do not leave your microwave unattended while cooking.
Paper towels	Use to cover food for reheating and absorbing fat. Use with supervision for short-term cooking only.
Parchment paper	Use as a cover to prevent splattering or a wrap for steaming.
Plastic	Use only if labeled "Microwave Safe." Follow the manufacturer's instructions. Some plastic containers soften as the food inside gets hot. "Boiling bags" and tightly closed plastic bags should be slit, pierced, or vented, as indicated on the package.
Plastic wrap	Use microwave-safe only. Use to cover food during cooking to retain moisture. Do not let plastic wrap touch food.

MATERIAL	REMARKS
Thermometers	Use microwave-safe only (such as meat and candy thermometers).
Wax paper	Use as a cover to prevent splattering and retain moisture.

### Materials to be avoided

MATERIAL	REMARKS
Aluminum foil	May cause an electric spark. Transfer food into microwave-safe dish.
Aluminum tray	May cause an electric spark. Transfer food into microwave-safe dish.
Food carton with metal handle	May cause an electric spark. Use a microwave-safe dish instead.
Metal or metal trimmed utensils	Metal shields the food from microwave energy. The metal trim may cause arcing.
Metal twist ties	May cause an electric spark and could cause a fire in your microwave.
Paper bags	May cause a fire in your microwave.
Plastic foam	Plastic foam may melt or contaminate the liquid inside when exposed to high temperature.
Textiles	Hot pads, blankets, clothes, or other fabric items may cause burns or a fire.
Wood	Wood will dry out when used in your microwave and may split or crack.

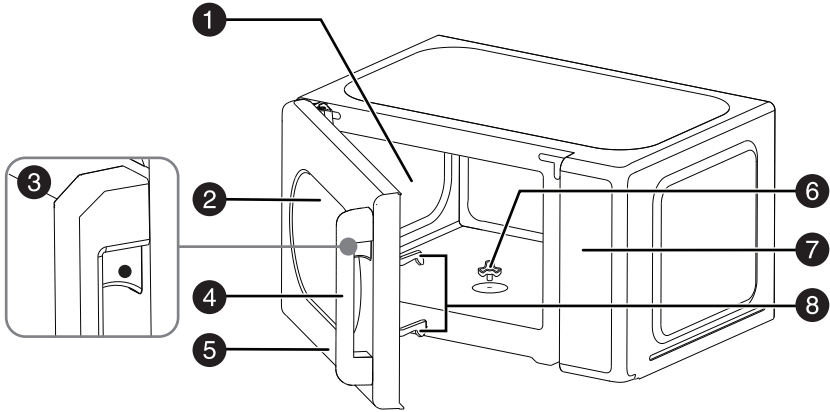
### Package contents

- .7 Cu. Ft. Retro Compact Microwave
- Glass turntable
- Turntable ring assembly
- *User Guide*

### Features

- Cook or reheat meat, vegetables, pasta, and more, at the touch of a button using 700 watts
- Mint green, red, or cream color, round viewing window, and chrome details provide a fun retro touch
- Compact design fits on your countertop or kitchen cart while the 3.28 ft (1 m) cord reaches nearby outlets
- 9 preset cooking functions easily cook, heat, or defrost your favorites
- 10 power levels heat food to your exact preferences
- 10-inch (25.4 cm) glass turntable rotates to evenly heat food
- Internal light shows food while it's cooking

**Microwave**



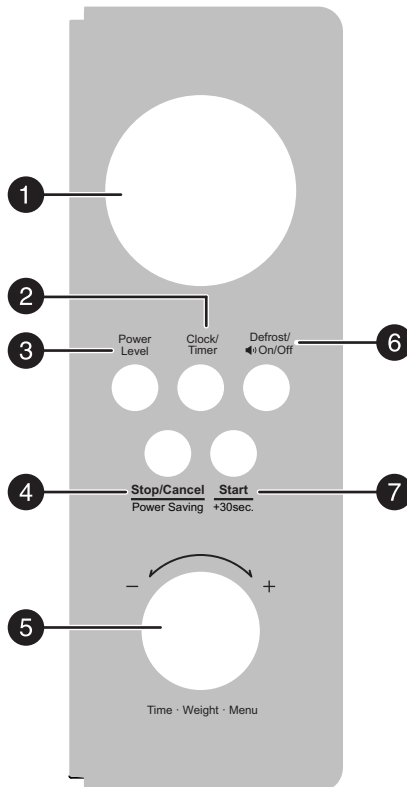
#	ITEM	DESCRIPTION
1	Microwave interior	Place the food inside the microwave to defrost or cook it.
2	Observation window	Lets you see the food cooking.
3	Door handle release	Press to release the door, then pull the handle to open.
4	Door handle	Grip and pull to open the door, after pressing the release button.
5	Microwave door	Close to defrost or cook your food.
6	Turntable shaft	Turns the turntable to cook your food evenly.
7	Control panel	Displays the current time and cooking details. Press the buttons to program your microwave.
8	Door safety interlock	Latches the door closed and prevents the microwave from turning on when the door is open.

**Opening the door for the first time**

- 1 Press upward on the button on the inside top of the door handle.
- 2 Pull the door outward to swing open from right to left.



## Control panel



#	ITEM	DESCRIPTION
1	Display	In standby mode, displays the time. In cooking mode, displays cooking time, weight, and other information.
2	<b>Clock/Timer</b>	Press once to set the timer. See <a href="#">Using the kitchen timer</a> on page 12. Press twice to set the time. See <a href="#">Setting the clock</a> on page 12.
3	<b>Power Level</b>	Press repeatedly to select the power level. You can select between 100% and 10%. The power levels (PL10, PL9, PL8, PL7, PL6, PL5, PL4, PL3, PL2, and PL1) appear in sequence on the display. See <a href="#">Cooking in your microwave</a> on page 13.
4	<b>Stop/Cancel/ Power Saving</b>	Press to stop the cooking process. Press again to clear the cooking operation. In standby mode, press and hold for three seconds or more to set the child lock. See <a href="#">Using the child-lock</a> on page 17. In standby mode, press once to turn off the display. Press any key or open the door to turn the display back on.

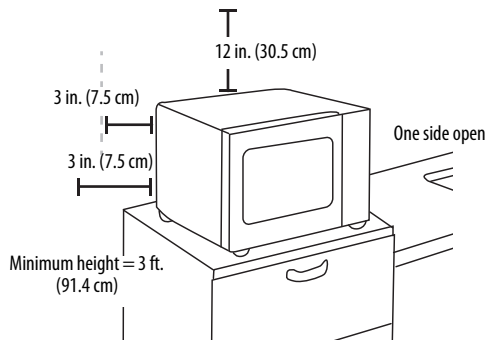
#	ITEM	DESCRIPTION
5	(adjustment) knob	Turn to select cooking time, item weight, or Auto Menu preset.
6	<b>Defrost/ On/Off</b>	Press once, then enter the weight of the item you want to defrost. The cooking time is set automatically. See <u>Defrosting by weight</u> on page 16. Press twice, then enter the amount of time you want to defrost. See <u>Defrosting by time</u> on page 17. Press and hold for three seconds to mute the buzzer. Press and hold for an additional three seconds to reactivate the buzzer.
7	<b>Start/ +30sec.</b>	Press to begin cooking. In the standby mode, press one or more times to specify the cook time in 30 second increments. Maximum time is 95 minutes.

## Setting up your microwave

- 1 Remove all packing material, protective film, and accessories. Do not remove the cream-colored plastic cover that is attached to the interior wall to protect the magnetron.
- 2 Check for any damage such as dents or a broken door. Do not use your microwave if it is damaged.
- 3 Select a level surface that provides enough open space for the vents.

**CAUTIONS:**

- Do not install your microwave over a range cooktop or other heat-producing appliance. Installing over a heat source can damage your microwave and void your warranty.
- One side of your microwave must be unrestricted (open).
- Do not remove the feet from your microwave.
- Do not block intake or outlet openings.
- Place your microwave as far away from radios and TVs as possible, as it may cause interference.
- The accessible surface may be hot during operation.

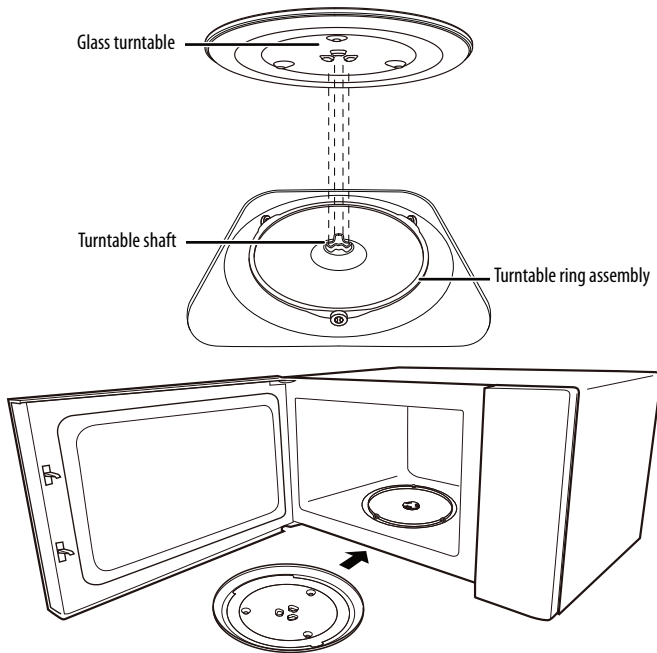


- 4 Plug your microwave into a power outlet.

## Installing the turntable

**Note:** The turntable is shipped inside your microwave's cavity.

- 1 Remove all packing materials from your microwave, then remove the shipping tape from the turntable shaft.
- 2 Clean the cooking compartment and the accessories.
- 3 Place the turntable ring assembly into the round depression in the bottom of your microwave so that it turns freely.
- 4 Place the glass turntable (flat side up) on the turntable ring so that the hub engages the turntable shaft in the bottom of your microwave. The glass turntable should not turn freely when it is correctly installed.



### Notes:

- Never use your microwave without the glass turntable and turntable ring.
- Never place the glass tray into your microwave upside down. The glass tray should never be restricted.
- Always place all food and containers of food on the glass tray for cooking.
- Do not restrict the movement of the turntable.
- If the glass tray or turntable ring cracks or breaks, contact your nearest authorized service center.

## Setting the clock and the timer

**Notes:**

- The buzzer sounds once when you begin turning the knob.
- The **Start/+30sec.** button must be pressed to continue cooking if the door is opened during cooking.
- Once the cooking program has been set, if the **Start/+30sec.** button is not pressed within 30 seconds the setting will be canceled and the current time will be displayed if the clock is set. If clock is not set, the display shows “:”.
- The buzzer sounds once when your button press is accepted.
- The buzzer beeps to remind you when cooking is finished.

### Setting the clock

**Note:** If the clock isn't set, it won't function when powered. During the process of setting up the clock, if you press the **Stop/Clear/Power Saving** button or make no changes within five minutes, the microwave exits the setting.

- 1 Plug the power cord into an outlet.
- 2 Press the **Clock/Timer** or **Start/+30sec.** button, *12:00* flashes on the display.
- 3 Turn the adjustment knob to select the hour. You can select from **1** to **12**. The hour you select appears on the display.
- 4 Press the **Clock/Timer** button to confirm. The minutes flash on the display.
- 5 Turn the adjustment knob to select the minutes. You can select from **0** to **59**. The minutes you select appear on the display.
- 6 Press the **Start/+30sec.** or **Clock/Timer** button to confirm the setting.

### Using the kitchen timer

- 1 Press the **Clock/Timer** button twice. *0:00* flashes on the display.
  - 2 Turn the adjustment knob to select the amount of time. You can select from **00:05** to **00:95** minutes. The time you select appears on the display.
- Press the **Start/+30sec.** button to confirm the setting. The timer starts counting down. When the time reaches *0*, the buzzer beeps and the current time will be displayed if the clock is set. If clock is not set, the display shows “:”.

# Cooking in your microwave

## Microwave cooking

- 1 Press the **Power Level** button. PL10 appears in the display.
- 2 Press the **Power Level** button repeatedly or turn the adjustment knob to select the power level. You can select between 100% and 10%. The power levels (*PL10, PL9, PL8, PL7, PL6, PL5, PL4, PL3, PL2, and PL1*) appear in sequence on the display.

The available power levels are:

LEVEL	10	9	8	7	6	5	4	3	2	1
Power	100%	90%	80%	70%	60%	50%	40%	30%	20%	10%
Display	PL10	PL9	PL8	PL7	PL6	PL5	PL4	PL3	PL2	PL1

- 3 Press the **Start/+30sec.** button to confirm the setting.
- 4 Turn to adjust the cooking time between 00:05 and 95:00.  
When you turn the knob to set the cooking time, each click of the knob adds a specific amount of time.  
When you start turning the knob, each click adds 5 seconds.  
When you reach one minute on the timer, each click adds 10 seconds.  
After the timer reaches five minutes, each click adds 30 seconds.

AMOUNT OF TIME	TIME ADDED WITH EACH CLICK
0 to 1 minutes	5 seconds
1 to 5 minutes	10 seconds
5 to 10 minutes	30 seconds
10 to 30 minutes	1 minute
30 to 95 minutes	5 minutes

- 5 Press the **Start/+30sec.** button to confirm and start cooking. When cooking is complete, there will be a beep and "End" will appear on the display. If the door is not opened or the **Stop/Cancel** button is not pressed within nine minutes, your microwave will sound two beeps every three minutes. After nine minutes, your microwave will return to standby mode.

### Notes:

- Press **Power Level** at any time to change the power setting. Enter the number of the new power setting you want, then press **Start/+30sec.** to confirm. Your microwave cooks at the new power setting for the remainder of the cook time. You cannot change the power setting for auto-menu items.
- When setting your microwave, if you press the **Stop/Cancel/Power Saving** button or if you don't enter a setting within 30 seconds, your microwave goes back to the former setting automatically.

**Cooking quickly**

**Notes:**

- In cooking state or the defrosting-by-time state, each time you press the **Start/+30sec.** button increases the cooking time/defrost time by 30 seconds.
- When using the auto menu or defrost by weight function, you can't increase the cooking time.

- 1 In standby mode, press the **Start/+30sec.** button to cook at 100% power for 30 seconds. Each time you press the **Start/+30sec.** button, the time increases by 30 seconds. The maximum cooking time is 95 minutes.
- 2 In standby mode, turn the adjustment knob left to select the cooking time, then press the **Start/+30sec.** button to start cooking. When cooking is complete, there will be a beep and "End" will appear on the display. If the door is not opened or the **Stop/Cancel** button is not pressed within nine minutes, your microwave will sound two beeps every three minutes. After nine minutes, your microwave will return to standby mode.
- 3 While your microwave is cooking or when you are using the time defrost function, press the **Start/+30sec.** button to increase the cooking time.

**Cooking with the auto menus**

Your microwave has nine pre-programmed cooking modes.

- 1 In standby mode, turn the adjustment knob right to choose Auto Menu. A-1 will be displayed.
- 2 Continue to turn the adjustment knob to select the program from A-1 to A-9. The auto menu number appears in the display.
- 3 Press the **Start/+30sec.** button to confirm your menu selection.
- 4 Turn the adjustment knob to select the weight of food you are cooking.
- 5 Press the **Start/+30sec.** button to start cooking. When cooking is complete, there will be a beep and "End" will appear on the display. If the door is not opened or the **Stop/Cancel** button is not pressed within nine minutes, your microwave will sound two beeps every three minutes. After nine minutes, your microwave will return to standby mode.

**Auto menus**

MENU	AMOUNT	DISPLAY
A-1 Popcorn	3.0 oz. 3.5 oz. 1.75 oz.	3.0 <sup>-</sup> 3.5 <sup>-</sup> 1.75
A-2 Beverage	1 cup (120 ml/cup) 2 cups (240 ml/cup) 3 cups (360 ml/cup)	1 <sup>-</sup> 2 <sup>-</sup> 3 <sup>-</sup>
A-3 Fresh vegetable	4 oz. 8 oz. 16 oz.	4 <sup>-</sup> 8 <sup>-</sup> 16 <sup>-</sup>
A-4 Meat	9 oz. 12 oz. 16 oz.	9 <sup>-</sup> 12 <sup>-</sup> 16 <sup>-</sup>

MENU	AMOUNT	DISPLAY
A-5 Pizza	4 oz. 8 oz. 14 oz.	4 <sup>-</sup> 8 <sup>-</sup> 14 <sup>-</sup>
A-6 Potato	1 (about 8 oz.) 2 3	1 2 3
A-7 Pasta	1.75 oz. (with 450 ml cold water) 3.5 oz. (with 800 ml cold water)	1.75 3.5 <sup>-</sup>
A-8 Soup	1 cup (8 oz.) 2 cups (16 oz.) 3 cups (24 oz.)	1 <sup>-</sup> 2 <sup>-</sup> 3 <sup>-</sup>
A-9 Reheat	9 oz. 12 oz. 18 oz.	9 <sup>-</sup> 12 <sup>-</sup> 18 <sup>-</sup>

### Popping popcorn in your microwave

- 1 When selecting 3.0 or 3.5 oz. of popcorn, we suggest that you fold down a triangle on each corner of the bag before cooking, as shown.



- 2 When the popcorn bag expands and no longer rotates properly, press the **Stop/Cancel** button once, open the microwave door, then adjust the bag position to ensure even cooking.
- 3 Press the **Start/+30sec.** button to resume cooking. When cooking is complete, there will be a beep and "End" will appear on the display. If the door is not opened or the **Stop/Cancel** button is not pressed within nine minutes, your microwave will sound two beeps every three minutes. After nine minutes, your microwave will return to standby mode.

### Using multi-stage cooking

You can set up a two-stage cycle to cook your food. For example, you can defrost a meal, then cook it. The buzzer sounds after the first stage is complete, then the second stage begins.

In this example, the food is defrosted for five minutes, then 80% power for 7 minutes.

**Notes:**

- Auto Menu cannot be used with multi-stage cooking.
- If one stage is defrost, it will automatically be the first stage.
- Press the **Start/+30sec.** button to increase cooking during multi-stage cooking (except for defrosting by weight).

- 1 Press the **Defrost/⏪ On/Off** button twice. *dEF2* appears on the display.
- 2 Turn the adjustment knob to set the defrost time to five minutes.
- 3 Press the **Power Level** button once. *PL10* appears on the display.
- 4 Turn the adjustment knob to set the power level to 80%. *PL8* appears on the display.
- 5 Press the **Start/+30sec.** button to confirm.
- 6 Turn the adjustment knob to set the cooking time to seven minutes.
- 7 Press the **Start/+30sec.** button to start cooking. When cooking is complete, there will be a beep and "End" will appear on the display. If the door is not opened or the **Stop/Cancel** button is not pressed within nine minutes, your microwave will sound two beeps every three minutes. After nine minutes, your microwave will return to standby mode.

### Muting the sound

- 1 In standby mode, press and hold the **Defrost/⏪ On/Off** button for three seconds. A long beep sounds and the buzzer is turned off.
- 2 To turn the buzzer back on, press and hold the **Defrost/⏪ On/Off** button for three seconds. A long beep sounds and the buzzer is turned back on.

### Using the energy saving (Eco) mode

Energy saving (Eco) mode turns off the LED display to save power.

- In standby mode, press the **Stop/Cancel** button for less than three seconds. The display turns off and your microwave enters power saving mode.
- To exit the power saving mode, press any button, then open the door. The display turns on and the buzzer beeps once.

**Note:** Energy saving mode only works if the door is closed and the child lock function is turned off.

## Defrosting in your microwave

### Defrosting by weight

- 1 Press the **Defrost/⏪ On/Off** button once. *dEF1* appears on the display.
- 2 Turn the adjustment knob to select the weight of the food. The weight range is 4 to 54 oz.
- 3 Press the **Start/+30sec.** button to start defrosting. When cooking is complete, there will be a beep and "End" will appear on the display. If the door is not opened or the **Stop/Cancel** button is not pressed within nine minutes, your microwave will sound two beeps every three minutes. After nine minutes, your microwave will return to standby mode.



## Defrosting by time

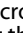
### Notes:

- The defrost power level is PL 3. You can't change it.
- The buzzer will sound to remind you to turn the food over during the defrost operation. If no action is taken, cooking continues.

- 1 Press the **Defrost/⏪ On/Off** button twice. *DEF2* appears on the display.
- 2 Turn the adjustment knob to select the defrost time.
- 3 Press the **Start/+30sec.** button to start defrosting. When cooking is complete, there will be a beep and "End" will appear on the display. If the door is not opened or the **Stop/Cancel** button is not pressed within nine minutes, your microwave will sound two beeps every three minutes. After nine minutes, your microwave will return to standby mode.

## Changing other microwave settings

### Using the child-lock

- To lock your microwave — Press and hold the **Stop/Cancel/Power Saving** button for three seconds. Your microwave sounds a long beep and  appears on the display to indicate that the lock is turned on.
- To unlock your microwave — When your microwave is locked, press and hold the **Stop/Cancel/Power Saving** button for three seconds. Your microwave sounds a long beep to indicate that lock is turned off.

### Checking the time and power level

- While cooking, press the **Power Level** button. The current power level appears on the display for five seconds.

### Resetting the turntable

Use this function if you want the turntable in its initial position when cooking is done.

### Notes:

- The turntable reset function only works at the end of a completed cooking cycle. If you pause cooking or open the door, the function doesn't work.
- If cooking time is less than five minutes, the accuracy of the turntable reset is within 30°.

## Troubleshooting

If you have a problem with your microwave, review the following chart for a possible solution. If your microwave still doesn't work correctly, contact the nearest authorized service center.

PROBLEM	POSSIBLE CAUSE	POSSIBLE SOLUTION
My microwave won't start	The power cord isn't plugged in.	Plug the electrical cord into a power outlet.
	The door is open.	Close the door and try again.

PROBLEM	POSSIBLE CAUSE	POSSIBLE SOLUTION
Arching or sparking in my microwave	You're using incorrect materials in your microwave.	Use only microwave-safe materials. See <a href="#">Materials you can use</a> on page 6.
	You're trying to use your microwave when it's empty.	Don't operate your microwave when it's empty.
	Spilled food remains in your microwave.	Clean your microwave with a wet towel.
Unevenly cooked foods	You're attempting to use incorrect materials in your microwave.	Use only microwave-safe materials. See <a href="#">Materials you can use</a> on page 6.
	The food isn't defrosted completely.	Defrost the food completely before cooking it.
	The cooking time or power level isn't adequate to cook the food.	Use the correct cooking time and power level.
	The food isn't turned or stirred.	Turn or stir the food intermittently to ensure even cooking.
Overcooked foods	The cooking time or power level isn't adequate to cook the food.	Use the correct cooking time and power level.
Undercooked foods	You're attempting to use incorrect materials in your microwave.	Use only microwave-safe materials. See <a href="#">Materials you can use</a> on page 6.
	The food isn't defrosted completely.	Defrost the food completely before attempting to cook it.
	The cooking time or power level isn't adequate to cook the food.	Use the correct cooking time and power level.
	Your microwave air vents are blocked or restricted.	Make sure that the air vents aren't blocked or restricted.
Incorrect defrosting	You're attempting to use incorrect materials in your microwave.	Use only microwave-safe materials. See <a href="#">Materials you can use</a> on page 6.
	The cooking time or power level isn't adequate to cook the food.	Use the correct cooking time and power level.
	The food isn't turned or stirred.	Turn or stir the food intermittently to ensure even cooking.

## Maintaining your microwave

Keep your microwave clean, especially the interior.

- Clean the exterior with a damp cloth or sponge. Don't let water or cleaning solution drip into the air vents.
- Clean the interior with a damp cloth or sponge.

## Obtaining replacement parts

Call Insignia Customer Service at 1-877-467-4289.

## Specifications

Rated voltage	120VAC, 60Hz
Rated input power (microwave)	1,050W
Rated output power (microwave)	700W
Microwave capacity	.7 cu. ft.
Turntable diameter	10-inch (25.5 cm)
External dimensions (H×W×D)	10.2 x 17.3 x 14.19 in. (25.82 x 43.95 x 36.05 cm)
Internal dimensions (H×W×D)	8.07 x 12.04 x 12.1 in. (20.52 x 30.6 x 30.74 cm)
Certifications	UL for US model and CUL for CA model
Power cord length	39.4 in. (1 m)
Net weight	NS-MW7RM5/NS-MW7RR5/NS-MW7RC5 net weight is 20.7 lb. (9.41 kg) NS-MW7RM5-C/NS-MW7RR5-C/NS-MW7RC5-C net weight is 20.9 lb. (9.47 kg)

# ONE-YEAR LIMITED WARRANTY

## Definitions:

The Distributor\* of Insignia branded products warrants to you, the original purchaser of this new Insignia-branded product ("Product"), that the Product shall be free of defects in the original manufacturer of the material or workmanship for a period of one (1) year from the date of your purchase of the Product ("Warranty Period").

For this warranty to apply, your Product must be purchased in the United States or Canada from a Best Buy branded retail store or online at [www.bestbuy.com](http://www.bestbuy.com) or [www.bestbuy.ca](http://www.bestbuy.ca) and is packaged with this warranty statement.

## How long does the coverage last?

The Warranty Period lasts for 1 year (365 days) from the date you purchased the Product. Your purchase date is printed on the receipt you received with the Product.

## What does this warranty cover?

During the Warranty Period, if the original manufacture of the material or workmanship of the Product is determined to be defective by an authorized Insignia repair center or store personnel, Insignia will (at its sole option): (1) repair the Product with new or rebuilt parts; or (2) replace the Product at no charge with new or rebuilt comparable products or parts. Products and parts replaced under this warranty become the property of Insignia and are not returned to you. If service of Products or parts are required after the Warranty Period expires, you must pay all labor and parts charges. This warranty lasts as long as you own your Insignia Product during the Warranty Period. Warranty coverage terminates if you sell or otherwise transfer the Product.

## How to obtain warranty service?

If you purchased the Product at a Best Buy retail store location or from a Best Buy online website ([www.bestbuy.com](http://www.bestbuy.com) or [www.bestbuy.ca](http://www.bestbuy.ca)), please take your original receipt and the Product to any Best Buy store. Make sure that you place the Product in its original packaging or packaging that provides the same amount of protection as the original packaging.

To obtain warranty service, in the United States and Canada call 1-877-467-4289. Call agents may diagnose and correct the issue over the phone.

## Where is the warranty valid?

This warranty is valid only in the United States and Canada at Best Buy branded retail stores or websites to the original purchaser of the product in the country where the original purchase was made.

## What does the warranty not cover?

This warranty does not cover:

- Food, beverage, and/or medicine loss/spoilage.
- Customer instruction/education
- Installation
- Set up adjustments
- Cosmetic damage
- Damage due to weather, lightning, and other acts of God, such as power surges
- Accidental damage
- Misuse
- Abuse
- Negligence
- Commercial purposes/use, including but not limited to use in a place of business or in communal areas of a multiple dwelling condominium or apartment complex, or otherwise used in a place of other than a private home.
- Modification of any part of the Product, including the antenna
- Display panel damaged by static (non-moving) images applied for lengthy periods (burn-in).
- Damage due to incorrect operation or maintenance

- Connection to an incorrect voltage or power supply
- Attempted repair by any person not authorized by Insignia to service the Product
- Products sold "as is" or "with all faults"
- Consumables, including but not limited to batteries (i.e. AA, AAA, C etc.)
- Products where the factory applied serial number has been altered or removed
- Loss or Theft of this product or any part of the product
- Display panels containing up to three (3) pixel failures (dots that are dark or incorrectly illuminated) grouped in an area smaller than one tenth (1/10) of the display size or up to five (5) pixel failures throughout the display. (Pixel based displays may contain a limited number of pixels that may not function normally.)
- Failures or Damage caused by any contact including but not limited to liquids, gels or pastes.

REPAIR REPLACEMENT AS PROVIDED UNDER THIS WARRANTY IS YOUR EXCLUSIVE REMEDY FOR BREACH OF WARRANTY. INSIGNIA SHALL NOT BE LIABLE FOR ANY INCIDENTAL OR CONSEQUENTIAL DAMAGES FOR THE BREACH OF ANY EXPRESS OR IMPLIED WARRANTY ON THIS PRODUCT, INCLUDING, BUT NOT LIMITED TO, LOST DATA, LOSS OF USE OF YOUR PRODUCT, LOST BUSINESS OR LOST PROFITS. INSIGNIA PRODUCTS MAKES NO OTHER EXPRESS WARRANTIES WITH RESPECT TO THE PRODUCT, ALL EXPRESS AND IMPLIED WARRANTIES FOR THE PRODUCT, INCLUDING BUT NOT LIMITED TO ANY IMPLIED WARRANTIES OF AND CONDITIONS OF MERCHANTABILITY AND FITNESS FOR A PARTICULAR PURPOSE, ARE LIMITED IN DURATION TO THE WARRANTY PERIOD SET FORTH ABOVE AND NO WARRANTIES, WHETHER EXPRESS OR IMPLIED, WILL APPLY AFTER THE WARRANTY PERIOD. SOME STATES, PROVINCES AND JURISDICTIONS DO NOT ALLOW LIMITATIONS ON HOW LONG AN IMPLIED WARRANTY LASTS, SO THE ABOVE LIMITATION MAY NOT APPLY TO YOU. THIS WARRANTY GIVES YOU SPECIFIC LEGAL RIGHTS, AND YOU MAY ALSO HAVE OTHER RIGHTS, WHICH VARY FROM STATE TO STATE OR PROVINCE TO PROVINCE.

Contact Insignia:

**1-877-467-4289**

[www.insigniaproducts.com](http://www.insigniaproducts.com)

INSIGNIA is a trademark of Best Buy and its affiliated companies.

\*Distributed by Best Buy Purchasing, LLC

7601 Penn Ave South, Richfield, MN 55423 U.S.A

©2024 Best Buy. All rights reserved.

INSIGNIA™

[www.insigniaproducts.com](http://www.insigniaproducts.com)  
1-877-467-4289 (U.S. and Canada)

INSIGNIA is a trademark of Best Buy and its affiliated companies.  
Distributed by Best Buy Purchasing, LLC  
7601 Penn Ave South, Richfield, MN 55423 U.S.A.  
©2024 Best Buy. All rights reserved.

V4 ENGLISH  
23-0578