

SPEED OVEN
USE AND CARE GUIDE

CLEANING, MAINTENANCE, AND MORE



Contents

- 4** Safety Precautions
- 8** Speed Oven Features
- 9** Oven Operation
- 20** Care Recommendations
- 21** Troubleshooting
- 23** Wolf Warranty

Customer Care

The model and serial number are printed on the enclosed product registration card. Both numbers are also listed on the product rating plate. Refer to page 8 for rating plate location. For warranty purposes, you will also need the date of installation and name of your authorized Wolf dealer. Record this information below for future reference.

SERVICE INFORMATION

Model Number	_____
Serial Number	_____
Date of Installation	_____
Certified Service Name	_____
Certified Service Number	_____
Authorized Dealer	_____
Dealer Number	_____

If your product ever needs attention, be sure to use a Wolf Factory Certified Service provider recommended by our Customer Care Center, or select one from our list of providers available at wolfappliance.com/locator. All Factory Certified Service providers are carefully selected and thoroughly trained by us.

Important Note

To ensure this product is installed and operated as safely and efficiently as possible, take note of the following types of highlighted information throughout this guide:

IMPORTANT NOTE highlights information that is especially important.

CAUTION indicates a situation where minor injury or product damage may occur if instructions are not followed.

WARNING states a hazard that may cause serious injury or death if precautions are not followed.

IMPORTANT NOTE: Throughout this guide, dimensions in parentheses are millimeters unless otherwise specified.

IMPORTANT INSTRUCTIONS

IMPORTANT SAFETY INSTRUCTIONS: READ CAREFULLY AND KEEP FOR FUTURE REFERENCE.

- If food being heated begins to smoke, **DO NOT OPEN THE DOOR**. Turn off the unit, disconnect power at the circuit breaker, and wait until the food has stopped smoking. Opening the door while food is smoking may cause a fire.
- Only use microwave-safe containers and utensils. Do not leave the oven unattended when using disposable plastic, paper, or other combustible food containers.
- Clean the waveguide cover, oven cavity, turntable, and turntable support after use. These must be dry and free from grease. Built-up grease may overheat and begin to smoke or catch fire.
- The oven is intended for heating food and beverages. Drying of food or clothing and heating of warming pads, slippers, sponges, damp cloth, and similar may lead to risk of injury, ignition, or fire.

TO AVOID THE POSSIBILITY OF INJURY:

⚠ WARNING

Do not operate the oven if it is damaged or malfunctioning. Check the following before use:

- a) The door: verify the door closes properly and ensure it is not misaligned or warped.
- b) The hinges and door safety latches: verify they are not broken or loose.
- c) The door seals and sealing surfaces: verify they have not been damaged.
- d) Inside the oven cavity or on the door: verify there are no dents.
- e) The power supply cord and plug: verify they are not damaged.

IMPORTANT INSTRUCTIONS

PRECAUTIONS TO AVOID POSSIBLE EXPOSURE TO EXCESSIVE MICROWAVE ENERGY:

- Never adjust, repair, or modify the oven yourself.
- It is hazardous for anyone other than a competent person to carry out any service or repair operation, which involves the removal of a cover that gives protection against exposure to microwave energy.
- Do not allow grease or dirt to build up on the door seals and adjacent parts. Follow the instructions for Care Recommendations on page 20. Clean the oven at regular intervals and remove any food deposits. Failure to maintain the oven in a clean condition could lead to a deterioration of the surface that could adversely affect the life of the appliance and possibly result in a hazardous situation.
- Do not attempt to replace the oven lamp yourself or allow anyone who is not authorized to do so. If the oven lamp fails, contact Wolf Factory Certified Service.

TO AVOID THE DANGER OF FIRE:

IMPORTANT: If you are unsure how to connect the oven, please consult an authorized, qualified electrician.

- Do not operate the oven with the door open or alter the door safety latches in any way. Do not operate the oven if there is an object between the door seals and sealing surfaces.
- Neither the manufacturer nor the dealer can accept any liability for damage to the oven or personal injury resulting from failure to observe the correct electrical connection procedure.

IMPORTANT INSTRUCTIONS

TO AVOID THE POSSIBILITY OF EXPLOSION AND SUDDEN BOILING:

⚠ WARNING

Liquids and other foods must not be heated in sealed containers since they are liable to explode.

- Microwave heating of beverages can result in delayed eruptive boiling, therefore care has to be taken when handling the container.
- Do not cook eggs in their shells and whole hard boiled eggs should not be heated in microwave ovens since they may explode even after microwave cooking has ended. To cook or reheat eggs which have not been scrambled or mixed, pierce the yolks and the whites, or the eggs may explode. Shell and slice hard boiled eggs before reheating them in the microwave oven.
- To avoid burns, always test food temperature and stir before serving. Pay special attention to the temperature of food and drink given to babies, children, or the elderly.
- Keep children away from the door to prevent them from burning themselves.
- Never use sealed containers. Remove seals and lids before use. Sealed containers can explode due to a buildup of pressure even after the oven has been turned off. Take care when microwaving liquids. Use a wide-mouthed container to allow bubbles to escape.
- Pierce the skin of such foods as potatoes, sausages, and fruit before cooking or they may explode.

To prevent sudden eruption of boiling liquid and possible scalding:

- Stir liquid prior to heating or reheating.
- It is advisable to insert a glass rod or similar utensil into the liquid while reheating.
- Let liquid stand for at least 20 seconds in the oven at the end of cooking time to prevent delayed eruptive boiling.

IMPORTANT INSTRUCTIONS

TO AVOID MISUSE BY CHILDREN:

⚠ WARNING

The appliance and its accessible parts become hot during use. Children less than 8 years of age should be kept away unless continuously supervised.

- This appliance can be used by children aged from 8 years and above and persons with reduced physical, sensory, or mental capabilities or lack of experience and knowledge if they have been given supervision or instruction concerning use of the appliance in a safe way and understand the hazards involved. Children should be supervised to ensure that they do not play with the appliance.
- Cleaning and user maintenance should not be made by children unless they are aged from 8 years and above and supervised.
- This appliance is intended to be used in household and similar applications such as: staff kitchen areas in shops, offices, and other working environments; farm houses; by clients in hotels, motels, and other residential environments; bed-and-breakfast type environments.

TO AVOID THE POSSIBILITY OF ELECTRIC SHOCK:

- If the power supply cord of this appliance is damaged, it must be replaced with a special cord. The exchange must be made by Wolf Factory Certified Service.

TO AVOID THE POSSIBILITY OF BURNS:

- Do not lean or swing on the oven door. Do not play with the oven or use it as a toy. Children should be taught all important safety instructions: use of pot holders, careful removal of food coverings, and paying special attention to packaging (e.g. self-heating materials) designed to make food crisp, as they may be extra hot.

⚠ WARNING

PROPOSITION 65 FOR CALIFORNIA RESIDENTS
Cancer and Reproductive Harm—
www.P65Warnings.ca.gov

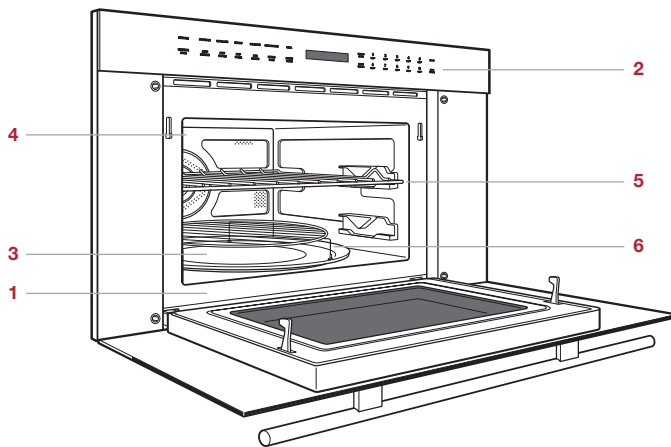
SPEED OVEN FEATURES

Speed Oven Features

FEATURES

- | | |
|---|---------------------------|
| 1 | Product Rating Plate |
| 2 | Control Panel and Display |
| 3 | Turntable |
| 4 | Interior Lighting |
| 5 | Oven Rack (2)* |
| 6 | Oven Riser (2)* |

*Not used for microwave only cooking.



Speed Oven (SPO30TE/S/TH shown)

Getting Started

We know you are eager to start cooking, but before you do, please take some time to read this use and care guide. Whether you are an occasional cook or an expert chef, it will be to your benefit to familiarize yourself with the safety practices, features, operation, and care recommendations of your Wolf Speed Oven.

Clean the oven thoroughly with hot water and mild detergent. Rinse and dry with a soft cloth to remove any residual oil and grease left from the manufacturing process. Refer to Care Recommendations on page 20.

OVEN OPERATION

Control Panel

The control panel features touch controls and an interactive visual display. Refer to the illustration below.

CONTROL LOCK

The Control Lock feature prevents unwanted oven operation.

To Lock:

- 1 Touch Control Lock, then touch Start. "LOCK ON" appears on the control panel display.

To Unlock:

- 1 Touch Control Lock, then touch Start. "LOCK OFF" appears on the control panel display.

Oven Operation

CLOCK

The clock must be set prior to use and after a power outage.

Setting the Clock:

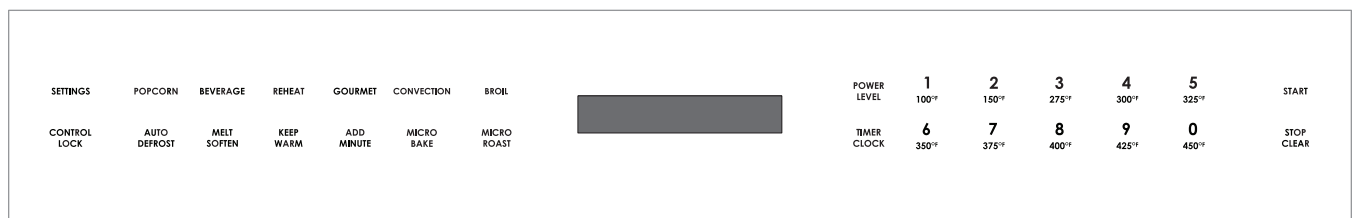
- 1 Touch Stop/Clear.
- 2 Touch Timer/Clock once for 12-hour mode or twice for 24-hour mode.
- 3 Use the number pads to enter the time of day, then touch Start.

TIMER

The timer can be set for a maximum of 99 minutes and 99 seconds. Once a time is set, the countdown appears on the control panel display. The oven chimes, and "END" appears on the display when complete.

Setting the Timer:

- 1 Touch Timer/Clock.
- 2 Use the number pads to enter the timer duration.
- 3 Touch Start to begin.
- 4 Touch Stop/Clear to cancel.

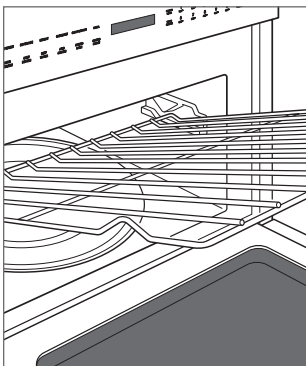


Control panel

Oven Operation

OVEN RACKS

To insert an oven rack, tilt the front of the rack upward and insert the back of the rack into the rack guides. Slide the rack back and angle the front of the rack downward to clear the rack stops. Continue to slide the rack back until completely inside the oven. Refer to the illustration below.



Oven rack

Settings

The Settings feature allows the user to select individual preferences. Preferences must be reset after a power outage.

Touch 1 on the control panel to toggle up or 6 to toggle down to select preferences.

AUDIBLE SIGNAL

An audible signal chimes with every touch and upon cook time and timer completion.

To Eliminate the Signal:

- 1 Touch Settings.
- 2 Touch 6.
- 3 Touch Start. "SOUND OFF" appears on the control panel display.

To Restore the Signal:

- 1 Touch Settings.
- 2 Touch 1.
- 3 Touch Start. "SOUND ON" appears on the control panel display.

Settings

COOK TIME COMPLETION REMINDER

Upon completion, the oven chimes every ten seconds for the first minute; then every three minutes (for one hour) until Stop/Clear is touched.

To Eliminate the Reminder:

- 1 Touch Settings twice.
- 2 Touch 6.
- 3 Touch Start. "REMIND SIGNAL OFF" appears on the control panel display.

To Restore the Reminder:

- 1 Touch Settings twice.
- 2 Touch 1.
- 3 Touch Start. "REMIND SIGNAL ON" appears on the control panel display.

WEIGHT UNIT

For cooking modes where weight is required, the default unit of measure can be changed from pounds to kilograms.

To Change the Unit of Measure to Kilograms:

- 1 Touch Settings three times.
- 2 Touch 6.
- 3 Touch Start. "KGS SET" appears on the control panel display.

To Change the Unit of Measure to Pounds:

- 1 Touch Settings three times.
- 2 Touch 1.
- 3 Touch Start. "LBS SET" appears on the control panel display.

FACTORY SETTINGS

To Restore Factory Settings:

- 1 Touch Settings four times.
- 2 Touch Start. "FACTORY SETTINGS RESTORED" appears on the control panel display.

DEMONSTRATION MODE

Demonstration mode allows operation to be demonstrated without power to the speed oven.

To Enter Demonstration Mode:

- 1 Touch Settings five times.
- 2 Touch 1.
- 3 Touch Start. "DEMO ON" appears on the control panel display. "DEMO" remains on the display.

To Exit Demonstration Mode:

- 1 Touch Settings five times.
- 2 Touch 6.
- 3 Touch Start. "DEMO OFF" appears on the control panel display.

Manual Cooking

POWER LEVEL

The speed oven has ten preset power levels.

To Cook Manually at 100% Power:

- 1 Use the number pads to enter the desired cook time.
- 2 Touch Start.
- 3 The oven chimes and “END” appears on the control panel display when complete.

To cook manually at a power level less than 100%, touch Power Level, then use the number pads to select the desired power level. Refer to the chart below.

POWER LEVEL

POWER LEVEL	High	100%
POWER LEVEL, 9		90%
POWER LEVEL, 8		80%
POWER LEVEL, 7	Medium High	70%
POWER LEVEL, 6		60%
POWER LEVEL, 5	Medium	50%
POWER LEVEL, 4		40%
POWER LEVEL, 3	Medium Low Defrost	30%
POWER LEVEL, 2		20%
POWER LEVEL, 1	Low	10%

MULTIPLE SEQUENCE COOKING

The speed oven can be programmed for up to four automatic cooking sequences, switching between modes, temperatures, and power levels automatically (e.g. start at 100%, then switch to 50% power).

To Use Multiple Sequence Cooking:

- 1 Touch Power Level and enter the desired power level for the first cooking sequence (for 100%, touch Power Level a second time), then use the number pads to enter the desired cook time.
- 2 Touch Power Level, then touch 5, then use the number pads to enter a second cook time.
- 3 Touch Start.

ADD MINUTE

The Add Minute feature cooks for one minute at 100% by touching Add Minute. Touch multiple times to increase the cook time. Each touch increases the cook time by one minute. This feature cannot be used with Sensor Cooking.

Manual Cooking

KEEP WARM

The Keep Warm feature will keep food warm for up to 90 minutes.

To Use Keep Warm:

- 1 Touch Keep Warm.
- 2 Use the number pads to enter the desired keep warm time.
- 3 Touch Start.
- 4 Touch Stop/Clear to cancel.

POPCORN

The Popcorn feature has two options. Follow directions on the control panel display to select the desired option. Use only popcorn packaged for microwave ovens.

To Use Popcorn:

- 1 Touch Popcorn once for regular size packages or twice for snack size packages.
- 2 Touch Start.

BEVERAGE

The Beverage feature will reheat a beverage or prepare hot water for coffee or tea.

To Use Beverage:

- 1 Touch Beverage.
- 2 **To reheat beverage:** Touch 1, then touch 1 or 6 to select the amount in $\frac{1}{2}$ cup increments, up to 2 cups.
For hot water: Touch 2, then touch 1 or 6 to select the amount in 1 cup increments, up to 6 cups.
- 3 Touch Start.

MELT/SOFTEN

The Melt/Soften feature will melt butter or chocolate and soften cream cheese or butter.

To Use Melt/Soften:

- 1 Touch Melt/Soften.
- 2 **Melt butter:** Touch 1, then touch 1 once for 2 tablespoons or twice for $\frac{1}{2}$ cup.
Melt chocolate: Touch 2.
Soften cream cheese: Touch 3.
Soften butter: Touch 4.
- 3 Touch Start.

Manual Cooking

MANUAL CONVECTION

During convection cooking, hot air is circulated throughout the oven to brown and crisp foods quickly and evenly. To view the set temperature during cooking, touch Convection.

To Select Manual Convection:

- 1 Touch Convection. If a temperature other than preset is desired, touch Convection again, then use the number pads to enter the temperature (e.g. 6 for 350°F (175°C)).
- 2 Touch Start to begin preheat.
- 3 Once preheat is complete, a chime indicates the oven has reached the set temperature. Add food, enter the desired cook time, then touch Start.

BROIL

The Broil feature uses elements in the top of the oven cavity to provide direct heat to the top of foods for browning. Depending on the food, the high or low riser should be used on the turntable for best results using the Broil feature.

To Select Broil:

- 1 Touch Broil.
- 2 Use the number pads to enter the desired time.
- 3 Touch Start.

MICRO BAKE AND MICRO ROAST

The speed oven has two preset settings that make it easy to cook with both convection heat and microwave automatically. Microwave-safe or oven-safe bakeware may be used. With the exception of those foods that cook best by convection cooking alone, most foods are well suited to combination cooking using either Micro Bake or Micro Roast. Refer to the chart below.

The temperatures, which range from 100°F (40°C) to 450°F (230°C), can be changed; however, the power level cannot.

COMBINATION COOKING

SETTING	TEMPERATURE	POWER
Micro Bake	325°F (165°C)	10%
Micro Roast	300°F (150°C)	30%

To Select Combination Cooking:

- 1 Place the food in the oven.
- 2 Touch Micro Bake or Micro Roast.
- 3 If a temperature other than the preset is desired, touch Convection, then use the number pads to enter the temperature (e.g. 6 for 350°F (175°C)).
- 4 Enter the desired cook time.
- 5 Touch Start.

Sensor Cooking

GOURMET

The Gourmet feature detects moisture and humidity from food as it heats and automatically adjusts the cook time and power level. Fresh vegetables and poultry have two options. Follow directions on the control panel display to select the desired option. Refer to the Gourmet Guide on the following page.

To Select Gourmet:

- 1 Touch Gourmet, then use the number pads to select the desired food (e.g. 5 for baked potatoes).
- 2 Touch Start.

REHEAT

The Reheat feature uses a sensor to detect moisture and humidity from food as it reheats, and automatically adjusts the cook time and power level.

To Select Reheat:

- 1 Touch Reheat.
- 2 Touch Start.

Gourmet Guide

NUMBER	FOOD	AMOUNT	METHOD	INSTRUCTIONS
1	Fresh Fruit and Vegetables—Soft Broccoli, Cauliflower, Cabbage, Brussels Sprouts, Spinach, and Zucchini Baked Apples	1/4–3 lb (115 g–1.4 kg) 2–4 medium	Microwave	Wash and place in a microwave-safe, non-metallic container. Cover with the lid or plastic wrap (pierce five times). After cooking, stir if possible. Let stand for 2–5 minutes, covered.
2	Fresh Vegetables—Hard Carrots (sliced) Corn on the Cob Green Beans Winter Squash (diced) Winter Squash (halves)	1/4–2 lb (115 g–.9 kg) 2–4 pieces 1/4–2 lb (115 g–.9 kg) 1/4–2 lb (115 g–.9 kg) 1–2	Microwave	Place in a microwave-safe, non-metallic container. Add 1–4 tablespoons (15–60 ml) water. Cover with the lid for tender vegetables. Use plastic wrap for tender-crisp vegetables. After cooking, stir if possible. Let stand for 2–5 minutes, covered.
3	Frozen Vegetables	1/4–2 lb (115 g–.9 kg)	Microwave	Place in a microwave-safe, non-metallic container. Do not add water. Cover with the lid or plastic wrap. After cooking, stir and let stand for 3 minutes, covered.
4	Frozen Entree	8 oz–3 lb (227 g–1.4 kg)	Microwave	Remove the contents from the package. Remove the outer wrapping and follow the package directions for covering. After cooking, let stand for 1–3 minutes, covered.
5	Baked Potatoes	1–6 medium	Microwave	Pierce each potato three times per side and place around the perimeter of the turntable. After cooking, remove from the microwave, wrap in aluminum foil, and let stand for 5–10 minutes.
6	Bacon	2–6 slices	Microwave	Place in a paper-towel-lined microwave-safe, non-metallic container. Thick-cut bacon may require additional time to achieve the desired doneness.
7	Hamburgers	2–4 patties 1/4 lb (115 g) each	Broil and Microwave	Place burgers in a shallow oven-safe, glass container on a riser.
8	Steaks	2 steaks 3/4–1" (19–25) thick	Broil and Microwave	Place steaks in a shallow oven-safe, glass container on a riser.
9	Ground Meat	1/4–2 lb (115 g–.9 kg)	Microwave	Place ground meat in a microwave-safe, non-metallic container and slightly separate the meat prior to cooking. Cover with plastic wrap (pierce five times). When the microwave stops, stir and chop the meat to break up large pieces. Cover and touch Start. After cooking, let stand for 2–3 minutes, covered.

Gourmet Guide

NUMBER	FOOD	AMOUNT	METHOD	INSTRUCTIONS
10	Chicken Pieces—Bone-In Wing, Leg, Thigh, Breast	2–4 pieces	Broil and Microwave	Place chicken pieces in a shallow oven-safe, glass container on a high riser. After cooking, let stand for 5 minutes. The internal temperature should be at least 170°F (75°C) for white meat and 180°F (80°C) for dark meat.
11	Chicken Breasts— Boneless	2–4 pieces	Broil and Microwave	Place chicken breasts in a shallow oven-safe, glass container on a high riser. After cooking, let stand for 5 minutes. The internal temperature should be at least 170°F (75°C).
12	Fish	¹ / ₄ –2 lb (115 g–9 kg)	Microwave	Arrange in a ring around a shallow microwave-safe, non-metallic container. Cover with plastic wrap (pierce five times). After cooking, let stand for 5 minutes, covered.
13	White Rice	¹ / ₂ –4 cups (95–512 g)	Microwave	Place the rice into a microwave-safe, non-metallic container and add double the quantity of boiling water (e.g. 1 cup rice and 2 cups water). Cover with a lid or plastic wrap (pierce five times). After cooking, stir, cover, and let stand until all the liquid has been absorbed.
14	Cakes	1 cake 9" pan	Convection and Microwave	Prepare according to package or recipe directions. Once preheat is complete, place in a 9" (229) oven-safe, glass container on the low riser.
15	Cookies	Up to 9 on a 12" pan	Convection	Prepare according to package or recipe directions and place on a 12" (305) pizza pan on the low riser. Cookies should be approximately 2" (51) for best results.

Defrost

AUTO DEFROST

The Auto Defrost feature uses preset settings to defrost select food items. Refer to the Auto Defrost Guide on the following page.

To Select Auto Defrost:

- 1 Touch Auto Defrost, then use the number pads to select the desired food (e.g. 3 for boneless poultry).
- 2 Use the number pads to enter the weight.
- 3 Touch Start. After a period of time, the oven will stop so food can be checked.
- 4 Open the door and turn food over.
- 5 Repeat until defrost is complete.

Auto Defrost Guide

NUMBER	FOOD	AMOUNT	INSTRUCTIONS
1	Ground Meat	1/2–2 lb (230 g–1.1 kg)	Remove any thawed pieces after each audible signal. Let stand for 5–10 minutes, covered.
2	Steaks, Chops	1/2–3 lb (230 g–1.4 kg)	After each audible signal, rearrange. If there are warm or thawed portions, shield with small flat pieces of aluminum foil. Remove any defrosted meat. Let stand for 10–15 minutes, covered.
3	Boneless Poultry	1/2–2 lb (230 g–.9 kg)	After each audible signal, rearrange. If there are warm or thawed portions, shield with small flat pieces of aluminum foil. Remove any defrosted meat. Let stand for 10–15 minutes, covered.
4	Bone-in Poultry	1/2–3 lb (230 g–1.4 kg)	After each audible signal, rearrange. If there are warm or thawed portions, shield with small flat pieces of aluminum foil. Remove any defrosted meat. Let stand for 10–15 minutes, covered.
5	Roast	2–4 lb (.9–1.8 kg)	Start defrosting with the fat side down. After each audible signal, turn over and shield warm areas with aluminum foil. Let stand for 30-60 minutes, covered.

Care Recommendations

CLEANING

Stainless Steel	Use a nonabrasive stainless steel cleaner and apply with a soft lint-free cloth. To bring out the natural luster, lightly wipe the surface with a water-dampened microfiber cloth followed by a dry polishing chamois. Always follow the grain of stainless steel.
Door Front	Spray glass cleaner on a cloth to clean.
Control Panel	Use a spray degreaser to remove fingerprints and food soil. Spray on a cloth before wiping the control panel. IMPORTANT NOTE: Do not spray cleaners directly on the control panel. To lock the control panel before cleaning, refer to page 9.
Interior	Wipe with a soft damp cloth. Do not use abrasive or harsh cleaners or scouring pads. For heavier soil, use baking soda or a mild soap; rinse thoroughly with hot water. Do not use chemical oven cleaners.
Oven Racks and Risers	Remove for cleaning. Wash in water with mild soap. For stubborn stains, use a mild cleanser and non-abrasive scouring sponge. The racks and risers are dishwasher-safe.
Turntable	Remove for cleaning. Wash in water with mild soap. For stubborn stains, use a mild cleanser and non-abrasive scouring sponge. The turntable is dishwasher-safe.
Waveguide Cover	Located on the inside top of the microwave interior. Carefully wipe with a soft damp cloth. Do not remove the waveguide cover.

Troubleshooting

Oven does not operate.

- Verify power is on.
- Verify electrical power to the oven and home circuit breaker is on.

Food in the oven is not heating.

- Check the controls to verify the proper setting.
- The oven is in Demonstration mode. Refer to page 11 to cancel.

Time on the display counts down very rapidly.

- The oven is in Demonstration mode. Refer to page 11 to cancel.

The interior light does not work.

- Contact Wolf Factory Certified Service.

The touch controls will not operate.

- The control panel lock is on. Refer to page 9 to unlock.

The display flashes.

- Power outage. Touch Stop/Clear and reset the clock. If the oven was in use, reset the cooking function.

Radio or TV interference caused by the oven.

- Verify the oven is on a different electrical circuit, relocate the radio or TV as far away from the oven as possible, or check the position and signal of the antenna.

Service

- Maintain the quality built into your product by contacting Wolf Factory Certified Service. For the name of the nearest Wolf Factory Certified Service, check the Support & Service section of our website, wolfappliance.com, or call Wolf Customer Care at 800-222-7820.
- When contacting service, you will need the model and serial number of your product. Both numbers are listed on the product rating plate. Refer to page 8 for rating plate location.
- For warranty purposes, you will also need the date of installation and name of your authorized Wolf dealer. This information should be recorded on page 3 of this guide.

Wolf Appliance Residential Limited Warranty

FOR RESIDENTIAL USE

FULL TWO YEAR WARRANTY*

For two years from the date of original installation, this Wolf Appliance product warranty covers all parts and labor to repair or replace, under normal residential use, any part of the product that proves to be defective in materials or workmanship. All service provided by Wolf Appliance under the above warranty must be performed by Wolf Factory Certified Service, unless otherwise specified by Wolf Appliance, Inc. Service will be provided during normal business hours.

LIMITED FIVE YEAR WARRANTY

For five years from the date of original installation, Wolf Appliance will repair or replace the following parts that prove to be defective in materials or workmanship: gas burners (excludes appearance), electric heating elements, blower motors (ventilation hoods), electronic control boards, magnetron tubes and induction generators. If the owner uses Wolf Factory Certified Service, the service provider will repair or replace these parts with the owner paying for all other costs, including labor. If the owner uses non-certified service, the owner must contact Wolf Appliance, Inc. (using the information below) to receive repaired or replacement parts. Wolf Appliance will not reimburse the owner for parts purchased from non-certified service or other sources.

TERMS APPLICABLE TO EACH WARRANTY

The warranty applies only to products installed for normal residential use. The warranty applies only to products installed in any one of the fifty states of the United States, the District of Columbia or the ten provinces of Canada. This warranty does not cover any parts or labor to correct any defect caused by negligence, accident or improper use, maintenance, installation, service or repair.

THE REMEDIES DESCRIBED ABOVE FOR EACH WARRANTY ARE THE ONLY ONES THAT WOLF APPLIANCE, INC. WILL PROVIDE, EITHER UNDER THIS WARRANTY OR UNDER ANY WARRANTY ARISING BY OPERATION OF LAW. WOLF APPLIANCE, INC. WILL NOT BE RESPONSIBLE FOR ANY CONSEQUENTIAL OR INCIDENTAL DAMAGES ARISING FROM THE BREACH OF THIS WARRANTY OR ANY OTHER WARRANTY, WHETHER EXPRESS, IMPLIED OR STATUTORY.

Some states do not allow the exclusion or limitation of incidental or consequential damages, so the above limitation or exclusion may not apply to you. This warranty gives you specific legal rights and you may also have other legal rights that vary from state to state.

To receive parts and/or service and the name of Wolf Factory Certified Service nearest you, contact Wolf Appliance, Inc., P.O. Box 44848, Madison, WI 53744; check the Support & Service section of our website, wolfappliance.com, email us at customerservice@subzero.com or call 800-222-7820.

*Stainless steel (doors, panels, handles, product frames and interior surfaces) are covered by a limited 60-day parts and labor warranty for cosmetic defects.

*Replacement filters for ventilation hood recirculating kits are not covered by the product warranty.



Contenido

- 4 Precauciones de seguridad
- 8 Características del horno de velocidad
- 9 Funcionamiento del horno
- 20 Recomendaciones para el cuidado
- 21 Resolución de problemas
- 23 Garantía de Wolf

Atención al cliente

El modelo y número de serie están impresos en la tarjeta de registro del producto adjunta. Ambos números también aparecen en la placa de datos del producto. Consulte en la página 8 la ubicación de la placa de datos. Para fines de la garantía, también necesitará la fecha de instalación y el nombre de su distribuidor autorizado de Wolf. Guarde la siguiente información para consultas posteriores.

INFORMACIÓN DE SERVICIO

Número de modelo

Número de serie

Fecha de la instalación

Nombre de servicio certificado

Número de servicio certificado

Distribuidor autorizado

Número de distribuidor

Si su producto alguna vez necesita servicio, asegúrese de acudir a un proveedor de servicio certificado de fábrica de Wolf recomendado por nuestro centro de atención al cliente o seleccione uno de nuestra lista de proveedores en wolfappliance.com/locator. Nosotros seleccionamos y capacitamos cuidadosamente a todos los proveedores de servicios certificados.

Aviso importante

Para garantizar que este producto se instale y opere de la forma más segura y eficiente posible, tome nota de los siguientes tipos de información resaltada en este manual:

AVISO IMPORTANTE señala la información que es especialmente importante.

PRECAUCIÓN indica una situación en la que se pueden sufrir heridas leves o provocar daños al producto si no se siguen las instrucciones.

ADVERTENCIA indica peligro de que se produzcan heridas graves o incluso la muerte si no se siguen las precauciones.

AVISO IMPORTANTE: En toda esta guía, las dimensiones entre paréntesis son milímetros, a menos que se especifique lo contrario.

INSTRUCCIONES IMPORTANTES

**INSTRUCCIONES IMPORTANTES DE SEGURIDAD:
LÉALAS CON ATENCIÓN Y GUÁRDELAS PARA
CONSULTARLAS EN EL FUTURO.**

- Si la comida que está calentando comienza a producir humo, **NO ABRA LA PUERTA**. Apague la unidad, desconecte la electricidad en el interruptor de circuito y espere hasta que los alimentos hayan dejado de despedir humo. Si abre la puerta mientras los alimentos están despidiendo humo, puede ocasionar un incendio.
- Utilice solamente recipientes y utensilios aptos para hornos de microondas. No descuide el horno cuando utilice recipientes desechables de plástico, papel u otros recipientes de alimentos combustibles.
- Limpie la tapa de la guía de onda, la cavidad del horno, el plato giratorio y el soporte del plato después de cada uso. Debe mantenerse limpio y sin grasa. La acumulación de grasa se puede sobrecalentar y comenzar a echar humo o se puede incendiar.
- El horno está diseñado para calentar alimentos y bebidas. Secar alimentos o prendas y calentar compresas calientes, pantuflas, esponjas, ropa húmeda y elementos similares puede plantear el riesgo de lesiones, ignición o fuego.

PARA EVITAR POSIBLES LESIONES:

⚠ ADVERTENCIA

No opere el horno de microondas si está dañado o si funciona mal. Revise lo siguiente antes de utilizar el horno:

- a) La puerta: compruebe que la puerta se cierre correctamente y no esté desalineada ni curva.
- b) Las bisagras y los pestillos de seguridad de la puerta: compruebe que no estén rotos ni sueltos.
- c) Los sellos y las superficies sellantes de la puerta: compruebe que no se hayan dañado.
- d) Dentro de la cavidad del horno o en la puerta: compruebe que no haya abolladuras.
- e) El cable y el enchufe eléctricos: compruebe que no estén dañados.

INSTRUCCIONES IMPORTANTES

PRECAUCIONES PARA EVITAR LA POSIBLE EXPOSICIÓN A LA ENERGÍA EXCESIVA DE MICROONDAS:

- Nunca ajuste, repare ni modifique el horno por cuenta propia.
- Para las personas que no tengan las habilidades necesarias, puede ser peligroso realizar cualquier actividad de servicio o reparación que implique retirar una cubierta que proteja contra la exposición a la energía de microondas.
- No permita la acumulación de grasa o suciedad en los sellos de la puerta y las partes adyacentes. Siga las instrucciones de las recomendaciones de cuidado de la página 20. Limpie el horno de manera regular y retire todos los depósitos de comida. Si el horno no se mantiene limpio, la superficie se puede deteriorar y ello podría afectar negativamente la duración del electrodoméstico y generar una posible situación peligrosa.
- No intente sustituir la lámpara del horno usted mismo ni permite que la sustituya una persona que no esté autorizada. Si la lámpara del horno falla, póngase en contacto con el servicio certificado de fábrica de Wolf.

PARA EVITAR PELIGRO DE INCENDIO:

IMPORTANTE: Si no está seguro de cómo conectar el horno, consulte a un electricista autorizado y calificado.

- No opere el horno con la puerta abierta ni altere los pestillos de seguridad de la puerta por ningún motivo. No opere el horno si hay un objeto entre los sellos y las superficies sellantes de la puerta.
- Ni el fabricante ni el distribuidor pueden aceptar responsabilidad alguna por daños en el horno o lesiones personales como resultado de incumplir el procedimiento correcto de conexión eléctrica.

INSTRUCCIONES IMPORTANTES

PARA EVITAR LA POSIBILIDAD DE EXPLOSIÓN Y EBULLICIÓN REPENTINA:

▲ ADVERTENCIA

No se deben calentar líquidos y otros alimentos en recipientes sellados pues tienden a explotar.

- El calentamiento de bebidas con microondas puede resultar en una ebullición eruptiva retardada y, por lo tanto, se debe prestar atención cuando se manipule el recipiente.
- No cocine huevos en su cascarón ni caliente huevos bien cocidos en hornos de microondas pues pueden explotar después de terminar la cocción con microondas. Para cocinar o volver a calentar los huevos que no se han revuelto o mezclado, perfore las yemas y las claras o los huevos pueden explotar. Pele y rebane los huevos cocidos antes de volverlos a calentar en el horno de microondas.
- Para evitar quemaduras, siempre pruebe la temperatura de los alimentos y revuelva antes de servirlos. Preste especial atención a la temperatura de los alimentos y bebidas que da a los bebés, niños o ancianos.
- Mantenga a los niños lejos de la puerta para evitar que se quemen.
- Nunca utilice recipientes sellados. Retire los sellos y las tapas antes de utilizarlos. Los recipientes sellados pueden explotar debido a la acumulación de presión, aún después de haber apagado el horno. Tenga cuidado cuando caliente líquidos con microondas. Utilice un recipiente de boca ancha para que las burbujas puedan salir.
- Perfore la cáscara de alimentos como papas, salchichas y frutas antes de cocinarlos, o podrían explotar.

Para evitar la erupción de líquidos hirviendo y posibles quemaduras:

- Revuelva el líquido antes de calentarlo o recalentarlo.
- Se recomienda insertar una varilla de vidrio o un utensilio similar en el líquido mientras se recalienta.
- Deje el líquido en el horno durante 20 segundos después de terminar el tiempo de cocción para evitar una ebullición eruptiva retardada.

INSTRUCCIONES IMPORTANTES

PARA EVITAR EL USO INADECUADO POR PARTE DE NIÑOS:

⚠ ADVERTENCIA

El electrodoméstico y sus partes accesibles se calientan cuando se utiliza. Los niños menores de 8 años deberían mantenerse alejados del electrodoméstico, a menos que se les supervise continuamente.

- Este electrodoméstico lo pueden utilizar niños a partir de los 8 años de edad y personas con capacidades físicas, sensoriales o mentales reducidas o sin experiencia ni conocimiento si han recibido supervisión o instrucción sobre el uso del electrodoméstico de forma segura y si comprenden los peligros implicados. Se debe supervisar a los niños para garantizar que no jueguen con el electrodoméstico.
- Los niños no deberían limpiar el aparato ni realizarle mantenimiento, a menos que tengan 8 años de edad o más y estén bajo supervisión.
- Este electrodoméstico es de uso doméstico y similares como: áreas de cocina del personal en fábricas, oficinas y otros entornos laborales, granjas y por clientes en hoteles, moteles y otros entornos residenciales, camas y ambientes tipo desayuno.

PARA EVITAR LA POSIBILIDAD DE CHOQUES ELÉCTRICOS:

- Si se daña el cable de corriente de este electrodoméstico, debe sustituirse con un cable especial. El intercambio debe ser realizado por un centro de Servicio certificado de fábrica de Wolf.

PARA EVITAR POSIBLES QUEMADURAS:

- No se recueste ni meza la puerta del horno. No juegue con el horno ni lo utilice como juguete. A los niños se les deben enseñar todas las instrucciones importantes de seguridad: uso de agarraollas, remoción cuidadosa de las tapas de alimentos y prestar atención especial a los empaques (p. ej. materiales de autocalentamiento) elaborados para la preparación de alimentos crujientes, pues pueden estar muy calientes.

⚠ ADVERTENCIA

PROPOSICIÓN 65 PARA LOS RESIDENTES DE CALIFORNIA

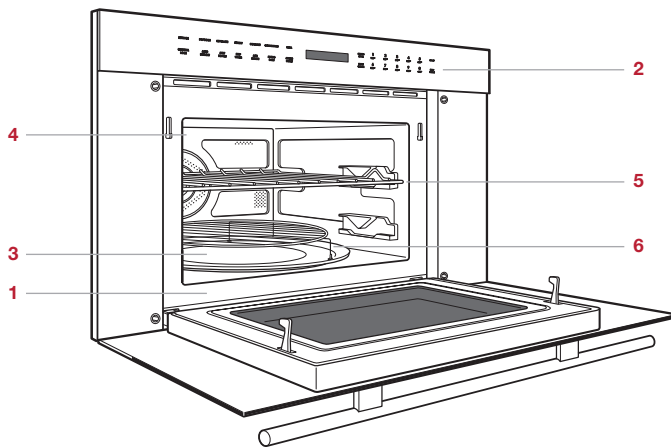
Cáncer y daño reproductivo:
www.P65Warnings.ca.gov

Características del horno de velocidad

CARACTERÍSTICAS

1	Placa de datos del producto
2	Panel de control y pantalla electrónica
3	Plato giratorio
4	Iluminación interna
5	Rejilla del horno (2)*
6	Tarima del horno (2)*

*No se utiliza para cocinar únicamente en el horno de microondas.



Horno de velocidad (SPO30TE/TH en la imagen)

Primeros pasos

Sabemos que no puede esperar para empezar a cocinar, pero antes de hacerlo, dedique un poco de tiempo a leer este manual de uso y cuidado. Si usted es un cocinero ocasional o un chef experto, se beneficiará de familiarizarse con las prácticas de seguridad, características, funcionamiento y recomendaciones de cuidado de su horno de velocidad de Wolf.

Limpie cuidadosamente el horno con agua caliente y detergente suave. Enjuague y seque con un paño suave para eliminar los residuos de aceite y grasa residual que dejó el proceso de fabricación. Consulte las recomendaciones sobre el cuidado en la página 20.

Panel de control

El panel de control cuenta con control digital y una pantalla visual interactiva. Consulte la siguiente ilustración.

BLOQUEO DE CONTROL

La función de bloqueo de control impide el funcionamiento no deseado del horno.

Para bloquear:

- 1 Presione Control Lock (bloqueo de control) y luego Start (iniciar). La palabra "LOCK ON" (BLOQUEO ENCENDIDO) aparece en la pantalla del panel de control.

Para desbloquear:

- 1 Presione Control Lock (bloqueo de control) y luego Start (iniciar). La palabra "LOCK OFF" (BLOQUEO APAGADO) aparece en la pantalla del panel de control.

Funcionamiento del horno

RELOJ

Debe configurar el reloj antes de utilizar el horno y después de un corte de energía.

Ajustar el reloj:

- 1 Presione Stop/Clear (detener/borrar).
- 2 Presione Timer/Clock (temporizador/reloj) una vez para el formato de 12 horas o dos veces para el formato de 24 horas.
- 3 Utilice las teclas numéricas para introducir la hora del día y, a continuación, presione Start (iniciar).

TEMPORIZADOR

El temporizador se puede ajustar para un máximo de 99 minutos y 99 segundos. Una vez que se ajusta el tiempo, la cuenta regresiva aparece en la pantalla del panel de control. Una vez se finaliza la cocción, en la pantalla aparece "END" (FINALIZAR).

Ajustar el temporizador:

- 1 Presione Timer/Clock (temporizador/reloj).
- 2 Utilice las teclas numéricas para introducir la duración del tiempo.
- 3 Presione Start (iniciar) para empezar.
- 4 Presione Stop/Clear (detener/borrar) para cancelar.

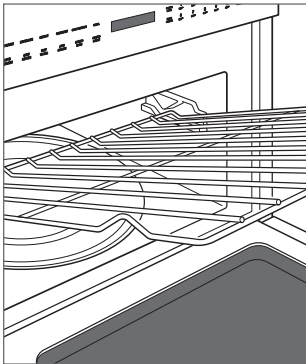


Panel de control

Funcionamiento del horno

REJILLAS DEL HORNO

Para insertar una rejilla del horno, incline la parte frontal de la rejilla hacia arriba e inserte la parte posterior de la rejilla en las guías de la rejilla. Deslice la rejilla hacia atrás e incline la parte delantera de la rejilla hacia abajo para despejar los topes de la rejilla. Continúe deslizando la rejilla hasta que esté completamente dentro del horno. Consulte la siguiente ilustración.



Rejilla del horno

Configuración

La función de configuración permite al usuario seleccionar preferencias individuales. Las preferencias deben restablecerse después de un corte de energía.

Presione 1 en el panel de control para mover hacia arriba o 6 para mover hacia abajo para seleccionar las preferencias.

SEÑAL SONORA

Una señal sonora se escucha con cada toque y cuando el tiempo de cocción y del temporizador hayan finalizado.

Para detener la señal:

- 1 Presione Settings (configuración).
- 2 Presione 6.
- 3 Presione Start (iniciar). La palabra "SOUND OFF" (SONIDO APAGADO) aparece en la pantalla del panel de control.

Para restablecer la señal:

- 1 Presione Settings (configuración).
- 2 Presione 1.
- 3 Presione Start (iniciar). La palabra "SOUND ON" (SONIDO ENCENDIDO) aparece en la pantalla del panel de control.

Configuración

RECORDATORIO DE FINALIZACIÓN DEL TIEMPO DE COCCIÓN

Una vez terminado, el horno suena cada diez segundos durante el primer minuto, luego cada tres minutos (durante una hora) hasta que presione Stop/Clear (detener/borrar).

Para detener el recordatorio:

- 1 Presione Settings (configuración) dos veces.
- 2 Presione 6.
- 3 Presione Start (iniciar). La palabra "REMIND SIGNAL OFF" (SEÑAL DE RECORDATORIO APAGADA) aparece en la pantalla del panel de control.

Para restablecer el recordatorio:

- 1 Presione Settings (configuración) dos veces.
- 2 Presione 1.
- 3 Presione Start (iniciar). La palabra "REMIND SIGNAL ON" (SEÑAL DE RECORDATORIO ENCENDIDA) aparece en la pantalla del panel de control.

UNIDAD DE PESO

En los modos de cocción donde se necesita medir el peso, la unidad predeterminada de medida se puede cambiar de libras a kilogramos.

Para cambiar la unidad de medida a kilogramos:

- 1 Presione Settings (configuración) tres veces.
- 2 Presione 6.
- 3 Presione Start (iniciar). La palabra "KIGS SET" (KG SELECCIONADO) aparece en la pantalla del panel de control.

Para cambiar la unidad de medida a libras:

- 1 Presione Settings (configuración) tres veces.
- 2 Presione 1.
- 3 Presione Start (iniciar). La palabra "LBS SET" (LB SELECCIONADA) aparece en la pantalla del panel de control.

CONFIGURACIÓN DE FÁBRICA

Para restaurar la configuración de fábrica:

- 1 Presione Settings (configuración) cuatro veces.
- 2 Presione Start (iniciar). "FACTORY SETTINGS RESTORED" (CONFIGURACIÓN DE FÁBRICA RESTAURADA) aparece en la pantalla del panel de control.

MODO DE DEMOSTRACIÓN

El modo de demostración permite demostrar su operación sin que el horno de velocidad esté conectado a la corriente eléctrica.

Para entrar al modo de demostración:

- 1 Presione Settings (configuración) cinco veces.
- 2 Presione 1.
- 3 Presione Start (iniciar). La palabra "DEMO ON" (DEMOSTRACIÓN ENCENDIDA) aparece en la pantalla del panel de control. La palabra "DEMO" (DEMOSTRACIÓN) sigue apareciendo en la pantalla.

Para salir del modo de demostración:

- 1 Presione Settings (configuración) cinco veces.
- 2 Presione 6.
- 3 Presione Start (iniciar). La palabra "DEMO OFF" (DEMOSTRACIÓN APAGADA) aparece en la pantalla del panel de control.

Cocción manual

NIVEL DE POTENCIA

El horno de velocidad tiene diez niveles de potencia preestablecidos.

Para cocinar manualmente con la potencia al 100%:

- 1 Utilice las teclas numéricas para introducir el tiempo de cocción deseado.
- 2 Presione Start (iniciar).
- 3 El horno emite una señal sonora y la palabra “END” (FINALIZAR) aparece en el panel de control una vez finalizada la operación.

Para cocinar manualmente a un nivel de potencia menor del 100%, presione Power Level (nivel de potencia) y, a continuación, utilice las teclas numéricas para seleccionar el nivel de potencia deseado. Consulte la siguiente tabla.

NIVEL DE POTENCIA

NIVEL DE POTENCIA	Alta	100%
NIVEL DE POTENCIA, 9		90%
NIVEL DE POTENCIA, 8		80%
NIVEL DE POTENCIA, 7	Media alta	70%
NIVEL DE POTENCIA, 6		60%
NIVEL DE POTENCIA, 5	Media	50%
NIVEL DE POTENCIA, 4		40%
NIVEL DE POTENCIA, 3	Media baja Descongelar	30%
NIVEL DE POTENCIA, 2		20%
NIVEL DE POTENCIA, 1	Baja	10%

MÚLTIPLES SECUENCIAS DE COCCIÓN

El horno de velocidad puede programarse para un máximo de cuatro secuencias de cocción automáticas, cambiando automáticamente entre modos, temperaturas y niveles de potencia (por ejemplo, iniciando al 100%, y luego cambiando al 50% de potencia).

Para utilizar múltiples secuencias de cocción:

- 1 Presione Power Level (nivel de potencia) e ingrese el nivel de potencia que desea para la primera secuencia de cocción (para el 100%, presione Power Level una segunda vez), y luego utilice las teclas numéricas para ingresar el tiempo de cocción deseado.
- 2 Presione Power Level (nivel de potencia), a continuación presione 5, luego utilice las teclas numéricas para introducir un segundo tiempo de cocción.
- 3 Presione Start (iniciar).

MINUTO ADICIONAL

La función minuto adicional cocina un minuto al 100% al presionar Add Minute (minuto adicional). Presione varias veces para aumentar el tiempo de cocción. Cada vez que presiona aumenta un minuto el tiempo de cocción. Esta función no se puede utilizar con el modo de cocción con sensor.

Cocción manual

MANTENER CALIENTE

La función mantener caliente mantendrá los alimentos calientes hasta por 90 minutos.

Para utilizar la función mantener caliente:

- 1 Presione Keep Warm (mantener caliente).
- 2 Utilice las teclas numéricas para introducir el tiempo para mantener caliente deseado.
- 3 Presione Start (iniciar).
- 4 Presione Stop/Clear (detener/borrar) para cancelar.

PALOMITAS DE MAÍZ

La función palomitas de maíz tiene dos opciones. Siga las instrucciones en la pantalla del panel de control para seleccionar la opción deseada. Utilice solamente maíz en empaque para hornos de microondas.

Para utilizar la función palomitas de maíz:

- 1 Presione Popcorn (palomitas de maíz) una vez para paquetes de tamaño regular o dos veces para paquetes tamaño botana.
- 2 Presione Start (iniciar).

BEBIDA

La función bebida recalentará una bebida o preparará agua caliente para café o té.

Para utilizar la función bebida:

- 1 Presione Beverage (bebida).
- 2 **Para recalentar una bebida:** Presione 1 y luego 1 o 6 para seleccionar la cantidad en incrementos de 1/2 taza, hasta 2 tazas.

Para agua caliente: Presione 2 y luego 1 o 6 para seleccionar la cantidad en incrementos de 1 taza, hasta 6 tazas.

- 3 Presione Start (iniciar).

DERRETIR/ABLANDAR

La función derretir/ablandar derretirá la mantequilla o el chocolate y ablandará el queso crema o la mantequilla.

Para utilizar la función derretir/ablandar:

- 1 Presione Melt/Soften (derretir/ablandar).
- 2 **Derretir mantequilla:** Presione 1, luego presione 1 una vez para 2 cucharadas o dos veces para 1/2 taza.

Derretir chocolate: Presione 2.

Ablandar queso crema: Presione 3.

Ablandar mantequilla: Presione 4.

- 3 Presione Start (iniciar).

Cocción manual

CONVECCIÓN MANUAL

Durante la cocción por convección, el aire caliente circula dentro del horno para cocer y dorar los alimentos de forma rápida y uniforme. Para ver el ajuste de temperatura durante la cocción, presione Convection (convección).

Para seleccionar la convección manual:

- 1 Toque la Convection (convección). Si desea una temperatura diferente a la predefinida, toque Convección nuevamente, luego use los botones numéricos para ingresar la temperatura (por ejemplo, 6 para 350 °F (175 °C)).
- 2 Presione Start (iniciar) para comenzar el precalentamiento.
- 3 Una vez que se completa el precalentamiento, una campanilla indica que el horno ha alcanzado la temperatura establecida. Agregue alimentos, ingrese el tiempo de cocción deseado, luego toque Start (iniciar).

BROIL (ASADO)

La función de Asado utiliza elementos en la parte superior de la cavidad del horno para proporcionar calor directo a la parte superior de los alimentos para dorarlos. Dependiendo del alimento, la tarima alta o inferior debe utilizarse sobre el plato giratorio para obtener mejores resultados al utilizar la función de asado.

Para seleccionar la función de Asado:

- 1 Presione Broil (asado).
- 2 Utilice las teclas numéricas para introducir el tiempo deseado.
- 3 Presione Start (iniciar).

HORNEADO POR MICROONDAS Y ASADO POR MICROONDAS

El horno de velocidad tiene dos configuraciones preestablecidas que facilitan cocinar con calor por convección y microondas automáticamente. Se pueden utilizar utensilios de repostería para horno o para microondas. Con la excepción de aquellos alimentos que se cocinan mejor mediante cocción por convección solamente, la mayoría de los alimentos son idóneos para la cocción combinada que utiliza el horneado por microondas o el asado por microondas. Consulte la siguiente tabla.

Es posible cambiar las temperaturas, entre 100 °F (40 °C) y 450 °F (230 °C), sin embargo, no es posible cambiar el nivel de potencia.

COCCIÓN COMBINADA

AJUSTE	TEMPERATURA	POWER (POTENCIA)
Horneado por microondas	325 °F (165 °C)	10%
Asado por microondas	300 °F (150 °C)	30%

Para seleccionar la cocción combinada:

- 1 Coloque la comida en el horno.
- 1 Presione Micro Bake o Micro Roast.
- 3 Si se desea una temperatura diferente a la predeterminada, presione Convección, luego use los botones numéricos para ingresar la temperatura (por ejemplo, 6 para 350 °F (175 °C)).
- 4 Ingrese el tiempo de cocción deseado.
- 5 Presione Inicio.

Cocción con sensor

GOURMET

La función gourmet detecta la humedad de los alimentos a medida que calienta y ajusta automáticamente el tiempo de cocción y el nivel de potencia. Cuenta con dos opciones para vegetales frescos y aves. Siga las instrucciones en la pantalla del panel de control para seleccionar la opción deseada. Consulte la Guía Gourmet en la página siguiente.

Para seleccionar la función Gourmet:

- 1 Presione Gourmet, luego utilice las teclas numéricas para seleccionar los alimentos deseados (por ejemplo, 5 para papas horneadas).
- 2 Presione Start (iniciar).

RECALENTADO

La función de recalentado utiliza un sensor para detectar la humedad de los alimentos a medida que los recalienta y ajusta automáticamente el tiempo de cocción y el nivel de potencia.

Para seleccionar la función de Recalentado:

- 1 Presione Reheat (recalentado).
- 2 Presione Start (iniciar).

Guía Gourmet

NÚMERO	ALIMENTOS	CANTIDAD	MÉTODO	INSTRUCCIONES
1	Frutas frescas y vegetales—Ablandados Brócoli, coliflor, col, coles de Bruselas, espinacas y calabacines manzanas horneadas	1/4 a 3 lb (115 g a 1.4 kg) 2 a 4 medianas	Microonda	Lave y coloque en un recipiente no metálico apto para microondas. Cubra con la tapa o envoltura de plástico (perfore cinco veces). Revuelva después de la cocción, si es posible. Déjelos reposar de 2 a 5 minutos, cubiertos.
2	Vegetales frescos—Duros Zanahorias (rebanadas) Maíz en mazorca Ejotes Zapallo (en cubitos) Zapallo (mitades)	1/4 a 2 lb (115 g a 0.9 kg) 2 a 4 piezas 1/4 a 2 lb (115 g a 0.9 kg) 1/4 a 2 lb (115 g a 0.9 kg) 1 a 2	Microonda	Colocar en un recipiente no metálico apto para microondas. Agregue de 1 a 4 cucharadas (15 a 60 ml) de agua. Cubra con la tapa para obtener vegetales tiernos. Utilice una envoltura de plástico para obtener vegetales tiernos y crujientes. Revuelva después de la cocción, si es posible. Déjelos reposar de 2 a 5 minutos, cubiertos.
3	Vegetales congelados	1/4 a 2 lb (115 g a .9 kg)	Microonda	Colocar en un recipiente no metálico apto para microondas. No agregue agua. Cubra con la tapa o envoltura de plástico. Después de la cocción, revuelva y deje reposar por 3 minutos, cubierto.
4	Entradas congeladas	8 oz a 3 lb (227 g a 1.4 kg)	Microonda	Retire el contenido del paquete. Retire la envoltura externa y siga las instrucciones del paquete para cubrir. Después de la cocción, deje reposar de 1 a 3 minutos, cubiertos.
5	Papas horneadas	1 a 6 medianas	Microonda	Perfore cada papa tres veces por lado y colóquelas alrededor del perímetro del plato giratorio. Después de la cocción, retire del microondas, envuelva en papel aluminio y deje reposar de 5 a 10 minutos.
6	Tocino	2 a 6 rebanadas:	Microonda	Colóquelo en un recipiente no metálico revestido con toallitas de papel, aptos para microondas. El tocino de corte grueso puede necesitar tiempo adicional para lograr la cocción deseada.
7	Hamburguesas	2 a 4 piezas 1/4 lb (115 g) cada una	Asar y Microondas	Coloque las hamburguesas en un recipiente de vidrio poco seguro para el horno en un tubo ascendente.
8	Bistecs	2 bistecs 3/4 a 1" (de 19 a 25) de grueso	Asar y Microondas	Coloque los bistecs en un recipiente de vidrio poco seguro para el horno en un tubo ascendente.
9	Carne molida	1/4 a 2 lb (115 g a .9 kg)	Microonda	Coloque la carne molida en un recipiente no metálico apto para microondas y separe la carne ligeramente antes de cocinarla. Cubra con la envoltura de plástico (perfore cinco veces). Cuando el microondas se detenga, revuelva y corte la carne en pedazos grandes. Cubra y presione Start (iniciar). Después de la cocción, deje reposar de 2 a 3 minutos, cubierto.

Guía Gourmet

NÚMERO	ALIMENTOS	CANTIDAD	MÉTODO	INSTRUCCIONES
10	Piezas de pollo— Con huesos Ala, pierna, muslo, pecho	2 a 4 piezas	Asar y Microondas	Coloque los trozos de pollo en un recipiente de vidrio poco seguro para el horno, en un tubo elevado. Después de la cocción, deje reposar durante 5 minutos. La temperatura interna debe ser de al menos 170 °F (75 °C) para carne blanca y 180 °F (80 °C) para carne oscura.
11	Pechugas de pollo— deshuesadas	2 a 4 piezas	Asar y Microondas	Coloque las pechugas de pollo en un recipiente de vidrio poco seguro para el horno, en un tubo elevado. Después de la cocción, deje reposar durante 5 minutos. La temperatura interna debe ser de al menos 170 °F (75 °C).
12	Pescado	1/4 a 2 lb (115 g a .9 kg)	Microonda	Arregle en un anillo alrededor de un recipiente no metálico no metálico apto para microondas. Cubra con la envoltura de plástico (perfore cinco veces). Después de la cocción, deje reposar durante 5 minutos, cubierto.
13	Arroz blanco	1/2 a 4 tazas (95 a 512 g)	Microonda	Coloque el arroz en un recipiente no metálico apto para microondas y agregue el doble de agua hirviendo (por ejemplo, 1 taza de arroz y 2 tazas de agua). Cubra con una tapa o envoltura de plástico (perfore cinco veces). Después de la cocción, revuelva, cubra y deje reposar hasta que el arroz haya absorbido todo el líquido.
14	Pasteles	1 pastel charola de 9"	Convección y Microondas	Prepare conforme a las instrucciones del paquete o la receta. Una vez que se haya completado el precalentamiento, colóquelo en un recipiente de vidrio de 9 " (229), apto para horno, en el tubo ascendente bajo.
15	Galletas	Hasta 9 en una charola de 12"	Convección	Prepare conforme a las instrucciones del paquete o la receta y colóquelas en una charola para pizza de 12" (305) sobre la tarima inferior. Para mejores resultados, las galletas deben tener aproximadamente 2" (51).

Descongelar

DESCONGELACIÓN AUTOMÁTICA

La función de descongelación automática utiliza la configuración preestablecida para descongelar los alimentos seleccionados. Consulte la guía de descongelación automática en la página siguiente.

Para seleccionar la descongelación automática:

- 1 Presione Auto Defrost (descongelación automática), luego utilice las teclas numéricas para seleccionar los alimentos deseados (por ejemplo, 3 para aves sin huesos).
- 2 Utilice las teclas numéricas para introducir el peso.
- 3 Presione Start (iniciar). Después de un periodo, el horno se detendrá para que pueda revisar los alimentos.
- 4 Abra la puerta y voltee los alimentos.
- 5 Repita hasta que se hayan descongelado completamente.

Guía de descongelación automática

NÚMERO	ALIMENTOS	CANTIDAD	INSTRUCCIONES
1	Carne molida	1/2 a 2 lb (230 g a 1.1 kg)	Retire cualquier pieza descongelada después de cada señal sonora. Deje reposar de 5 a 10 minutos, cubiertas.
2	Filetes, chuletas	1/2 a 3 lb (230 g a 1.4 kg)	Vuelva a acomodarlos después de cada señal sonora. Si hay porciones tibias o descongeladas, cúbralas con pedazos pequeños de papel de aluminio. Retire cualquier carne descongelada. Deje reposar de 10 a 15 minutos, cubierta.
3	Aves sin huesos	1/2 a 2 lb (230 g a .9 kg)	Vuelva a acomodarlos después de cada señal sonora. Si hay porciones tibias o descongeladas, cúbralas con pedazos pequeños de papel de aluminio. Retire cualquier carne descongelada. Deje reposar de 10 a 15 minutos, cubierta.
4	Aves con huesos	1/2 a 3 lb (230 g a 1.4 kg)	Vuelva a acomodarlos después de cada señal sonora. Si hay porciones tibias o descongeladas, cúbralas con pedazos pequeños de papel de aluminio. Retire cualquier carne descongelada. Deje reposar de 10 a 15 minutos, cubierta.
5	Asar	2 a 4 lb (.9 a 1.8 kg)	Empiece a descongelar con el lado de la grasa hacia abajo. Después de cada señal sonora, voltee del otro lado y cubra las áreas calientes con papel de aluminio. Deje reposar de 30 a 60 minutos, cubierto.

Recomendaciones para el cuidado

LIMPIEZA

Acero inoxidable	Utilice un limpiador no abrasivo para acero inoxidable y aplique con un paño suave que no deje pelusa. Para resaltar el lustre natural, limpie suavemente la superficie con una tela de microfibra humedecida con agua y, luego, pule en seco con una gamuza. Siempre siga la dirección del acabado del acero inoxidable.
Frente de la puerta	Rocíe líquido limpiador de cristales en un paño para limpiar.
Panel de control	Utilice desengrasante en aerosol para retirar las marcas de los dedos y los residuos de alimentos. Rocíe el producto en un paño antes de limpiar el panel. AVISO IMPORTANTE: No aplique limpiadores directamente sobre el panel de control. Para bloquear el panel de control antes de limpiarlo, consulte la página 9.
Interior	Limpie con un paño suave y húmedo. No utilice limpiadores abrasivos o agresivos ni estropajos. Para residuos más difíciles, utilice bicarbonato de sodio o un detergente suave, enjuague bien con agua caliente. No utilice limpiadores químicos para hornos.
Rejillas del horno y las tarimas	Desmonte para limpiar. Lave con agua y jabón suave. Para manchas difíciles, utilice un limpiador suave y una esponja de limpieza no abrasiva. Las rejillas y tarimas son aptas para lavado en lavavajillas.
Plato giratorio	Desmonte para limpiar. Lave con agua y jabón suave. Para manchas difíciles, utilice un limpiador suave y una esponja de limpieza no abrasiva. El plato giratorio es apto para lavado en lavavajillas.
Cubierta de guía de onda	Se encuentra dentro de la parte superior al interior del microondas. Limpie cuidadosamente con un paño suave y húmedo. No retire la cubierta de guía de onda.

Solución de problemas

El horno no funciona.

- Compruebe que esté encendida.
- Compruebe que la alimentación eléctrica al horno y el interruptor de circuito de la casa estén encendidos.

Los alimentos en el horno no se calientan.

- Compruebe que los controles tienen la configuración correcta.
- El horno está en modo de demostración. Consulte la página 11 para cancelar.

La cuenta regresiva en pantalla va demasiado rápido.

- El horno está en modo de demostración. Consulte la página 11 para cancelar.

La luz interna no funciona.

- Póngase en contacto con el servicio certificado de fábrica de Wolf.

Los controles digitales no funcionan.

- El bloqueo del panel de control está activado. Consulte la página 9 para desbloquear.

La pantalla parpadea.

- Corte de energía. Presione Stop/Clear (detener/borrar) y restablezca el reloj. Si el horno estaba en uso, restablezca la función de cocción.

El horno causa interferencia con la radio o la televisión.

- Compruebe si el horno está en un circuito eléctrico diferente, reubique la radio o la televisión lo más lejos posible del horno o compruebe la posición y señal de la antena.

Servicio

- Para mantener la calidad incorporada en su producto, póngase en contacto con el servicio certificado de fábrica de Wolf. Para obtener los datos del centro de servicio autorizado de Wolf más cercano, consulte la sección de Soporte y Servicio de nuestro sitio web, wolfappliance.com o llame a la línea de atención al cliente de Wolf al 800-222-7820.
- Cuando se comunique con el servicio, necesitará el modelo y el número de serie de su producto. Los dos números aparecen en la placa de datos del producto. Consulte en la página 8 la ubicación de la placa de datos.
- Para fines de la garantía, también necesitará la fecha de instalación y el nombre de su distribuidor autorizado de Wolf. Esta información debe estar registrada en la página 3 de este manual.

Garantía limitada residencial de Wolf Appliance

PARA USO RESIDENCIAL

GARANTÍA COMPLETA DE DOS AÑOS*

Durante dos años a partir de la fecha de la instalación original, la garantía de su producto Wolf Appliance cubre todas las partes y mano de obra para reparar o reemplazar, bajo el uso residencial normal, cualquier parte del producto que se compruebe estar defectuosa en material o mano de obra. Todos los servicios proporcionados por Wolf Appliance bajo la garantía anterior deben ser ejecutados por servicios certificados de fábrica de Wolf, a menos que Wolf Appliance, Inc. lo especifique de otra manera. El Servicio será proporcionado durante el horario comercial normal.

GARANTÍA LIMITADA DE CINCO AÑOS

Por cinco años a partir de la fecha de la instalación original, Wolf Appliance reparará o reemplazará los siguientes componentes que se comprueben estar defectuosos en material o mano de obra: quemadores de gas (excluyendo la apariencia), elementos eléctricos de calentamiento, motores de sopladores (campanas de ventilación), módulos de control eléctrico, tubos magnetrón y generadores de inducción. Si el propietario utiliza el servicio certificado de fábrica de Wolf, el prestador del servicio reparará o reemplazará estas partes mediante el pago de todos los otros costos, incluyendo mano de obra, a cargo del propietario. Si el propietario utiliza un servicio no certificado, debe ponerse en contacto con Wolf Appliance, Inc. (utilizando la información anotada más adelante) para recibir los componentes reparados o de reemplazo. Wolf Appliance no reembolsará al propietario los importes correspondientes a componentes comprados a un servicio no certificado o a otras fuentes.

TÉRMINOS APLICABLES A CADA GARANTÍA

La garantía se aplica solamente a los productos instalados para uso residencial normal. La garantía se aplica solamente a los productos instalados en cualquiera de los cincuenta estados de los Estados Unidos, el Distrito de Columbia o las diez provincias de Canadá. Esta garantía no cubre las partes o mano de obra para corregir cualquier defecto causado por negligencia, accidente o uso, mantenimiento, instalación, servicio o reparación inadecuados.

LOS RECURSOS DESCRITOS ANTERIORMENTE PARA CADA GARANTÍA SON LOS ÚNICOS QUE WOLF APPLIANCE, INC. PROPORCIONARÁ, YA SEA BAJO ESTA GARANTÍA O BAJO CUALQUIER GARANTÍA QUE RESULTE DE LA APLICACIÓN DE LA LEY. WOLF APPLIANCE, INC. NO SE HACE RESPONSABLE POR LOS DAÑOS INDIRECTOS O INCIDENTALES DERIVADOS DE LA VIOLACIÓN DE ESTA GARANTÍA O CUALQUIER OTRA GARANTÍA, YA SEA EXPRESA, IMPLÍCITA O LEGAL.

Algunos estados no permiten la exclusión o limitación de daños incidentales o consecuentes, por lo tanto la limitación o exclusión anterior podrían no aplicarse en su caso. Esta garantía le otorga derechos legales específicos, y usted también puede tener otros derechos legales que varían entre estados.

Para recibir las partes o el servicio y el nombre del servicio certificado de fábrica de Wolf más cercano a usted, póngase en contacto con Wolf Appliance, Inc., P.O. Box 44848, Madison, WI 53744; Verifique la sección de Soporte y Servicio de nuestro sitio web, wolfappliance.com, envíenos un correo electrónico a customerservice@subzero.com o llame al 800-222-7820.

*Las puertas, paneles, manijas, estructuras de acero inoxidable y superficies internas están cubiertas por una garantía limitada de 60 días sobre piezas y mano de obra, por defectos cosméticos.

*Los filtros de repuesto para los kits de circulación de la campana de ventilación no están cubiertos por la garantía del producto.



Table des matières

- 4 Précautions de sécurité
- 8 Caractéristiques du four à cuisson rapide
- 9 Fonctionnement du four
- 20 Conseils d'entretien
- 21 Dépannage
- 23 Garantie Wolf

Service à la clientèle

Le numéro de modèle et le numéro de série sont imprimés sur la fiche d'enregistrement du produit ci-jointe. Les deux numéros sont aussi indiqués sur la plaque signalétique du produit. Reportez-vous à la page 8 pour connaître l'emplacement de la plaque signalétique. Pour les besoins de la garantie, vous devrez aussi avoir la date d'installation et le nom de votre dépositaire Wolf autorisé. Inscrivez ces renseignements ci-dessous pour consultation ultérieure.

RENSEIGNEMENTS SUR LE SERVICE

Numéro de modèle

Numéro de série

Date de l'installation

Nom du service certifié

Numéro du service certifié

Dépositaire autorisé

Numéro du dépositaire

Si votre produit a besoin d'être réparé, assurez-vous d'utiliser un fournisseur de service certifié par l'usine Wolf recommandé par notre centre de service à la clientèle, ou sélectionnez-en un parmi la liste de fournisseurs disponibles à wolfappliance.com/locator. Tous les fournisseurs de service certifiés par l'usine sont soigneusement sélectionnés et rigoureusement formés par nous.

Remarque importante

Pour s'assurer que ce produit est installé et utilisé en toute sécurité et aussi efficacement que possible, prenez note des types de renseignement mis en évidence tout au long de ce guide :

REMARQUE IMPORTANTE met en évidence des renseignements qui sont particulièrement importants.

MISE EN GARDE indique une situation où une blessure mineure ou des dommages au produit peuvent se produire si les directives ne sont pas respectées.

AVERTISSEMENT décrit un danger qui peut causer une blessure grave ou la mort si les précautions ne sont pas respectées.

REMARQUE IMPORTANTE : Tout au long de ce guide, les dimensions entre parenthèses sont en millimètres à moins d'indication contraire.

DIRECTIVES IMPORTANTES

IMPORTANTES DIRECTIVES DE SÉCURITÉ : LISEZ ATTENTIVEMENT ET GARDEZ POUR RÉFÉRENCE ULTÉRIEURE.

- Si les aliments qui sont réchauffés commencent à produire de la fumée, **N'OUVREZ PAS LA PORTE.** Éteignez l'unité, coupez le courant au niveau du disjoncteur et attendez que l'aliment cesse de produire de la fumée. Ouvrir la porte pendant que les aliments émettent de la fumée peut entraîner un incendie.
- Utilisez uniquement des contenants et des ustensiles sans danger pour le micro-ondes. Ne laissez pas le four sans surveillance lorsque vous utilisez des contenants alimentaires en plastique, en papier ou d'autres contenants alimentaires combustibles jetables.
- Nettoyez le blindage du guide d'ondes, la cavité du four, le plateau rotatif et le support du plateau rotatif après l'utilisation. Ils doivent être secs et libres de graisse. L'accumulation de graisse peut surchauffer et causer de la fumée ou s'enflammer.
- Le four est conçu pour réchauffer des aliments et des boissons. Sécher des aliments ou des vêtements et réchauffer des coussins chauffants, des pantoufles, des éponges, des chiffons humides et des articles similaires peut entraîner des risques de blessures, d'allumage ou d'incendie.

POUR ÉVITER LA POSSIBILITÉ DE BLESSURES :

⚠ AVERTISSEMENT

N'utilisez pas le four s'il est endommagé ou s'il ne fonctionne pas correctement. Vérifiez les éléments suivants avant d'utiliser :

- a) La porte : vérifiez que la porte se ferme correctement et qu'elle n'est pas mal alignée ou déviée.
- b) Les charnières et les loquets de sécurité de la porte : vérifiez-les pour vous assurer qu'ils ne sont pas brisés ou lâches.
- c) Les joints de la porte et les surfaces d'étanchéité : assurez-vous qu'ils ne sont pas endommagés.
- d) Intérieur de la cavité du four et devant de la porte : vérifiez qu'il n'y a pas de bosselures.
- e) Le cordon d'alimentation et la fiche : assurez-vous qu'ils ne sont pas endommagés.

DIRECTIVES IMPORTANTES

PRÉCAUTIONS POUR ÉVITER TOUTE EXPOSITION À UNE ÉNERGIE EXCESSIVE À MICRO-ONDES :

- Ne réglez, ne réparez et ne modifiez jamais le four vous-même.
- Il est dangereux pour quiconque, autre qu'une personne compétente, d'effectuer un service ou une réparation impliquant le retrait d'un blindage qui protège contre l'exposition à l'énergie micro-ondes.
- Ne laissez pas la graisse ou la saleté s'accumuler sur les joints de la porte et les pièces adjacentes. Suivez les directives se trouvant dans la section Recommandations d'entretien décrites à la page 20. Nettoyez le four régulièrement et éliminez les dépôts de nourriture. Ne pas garder le four propre pourrait causer la détérioration de la surface, ce qui pourrait affecter la durée utile de l'appareil et peut-être entraîner une situation dangereuse.
- Ne tentez pas de remplacer l'ampoule du four vous-même et ne laissez pas une personne non autorisée le faire. Si le four ne fonctionne pas correctement, communiquez avec le centre de service Wolf certifié par l'usine.

POUR ÉVITER TOUT RISQUE D'INCENDIE :

IMPORTANT : Si vous ne savez pas comment relier le four, veuillez consulter un électricien qualifié et autorisé.

- Ne faites pas fonctionner le four lorsque la porte est ouverte et ne modifiez pas les loquets de sécurité de la porte de toute façon qui soit. Ne faites pas fonctionner le four s'il y a des objets entre les joints de la porte et les surfaces d'étanchéité.
- Ni Wolf ni le dépositaire ne seront responsables des dommages au four ou des blessures causées par le non-respect des procédures de connexion électrique appropriées.

DIRECTIVES IMPORTANTES

POUR ÉVITER LE RISQUE D'EXPLOSION ET D'ÉBULLITION SOUDAINE :

▲ AVERTISSEMENT

Les liquides et les autres aliments ne doivent pas être réchauffés dans des contenants scellés puisqu'ils risquent d'exploser.

- Le réchauffement de boissons au four à micro-ondes peut entraîner une ébullition éruptive retardée; manipulez donc le contenant avec soins.
- Ne faites pas cuire des œufs dans leur coquille et les œufs durs ne doivent pas être réchauffés dans un four à micro-ondes puisqu'ils peuvent exploser, même après la fin de la période de cuisson du four. Pour faire cuire ou réchauffer des œufs qui n'ont pas été brouillés ou mélangés, percez le jaune et le blanc, sinon les œufs risquent d'exploser. Retirez la coquille des œufs durs et tranchez-les avant de les réchauffer dans le four à micro-ondes.
- Pour éviter les brûlures, vérifiez toujours la température des aliments et remuez-les avant de les servir. Faites particulièrement attention à la température des aliments et des boissons donnés aux bébés, aux enfants et aux personnes âgées.
- Gardez les enfants loin de la porte pour éviter qu'ils se brûlent.
- N'utilisez jamais des contenants scellés. Retirez les matériaux de scellement et les couvercles avant l'utilisation. Les contenants scellés peuvent exploser en raison d'une accumulation de pression, même après avoir éteint le four. Faites attention lorsque vous réchauffez des liquides au four à micro-ondes. Utilisez un contenant à grande embouchure pour permettre aux bulles de s'échapper.
- Percez la peau des aliments, comme les pommes de terre, les saucisses et les fruits, avant de les faire cuire; sinon, ils risquent d'exploser.

Pour éviter toute éruption soudaine de liquide en ébullition et toute brûlure :

- Remuez le liquide avant de le chauffer ou réchauffer.
- Il est recommandé d'insérer une tige en verre ou un ustensile similaire dans le liquide pendant le réchauffement.
- Laissez le liquide reposer dans le four pendant au moins 20 secondes après la fin de la durée de cuisson pour éviter une ébullition éruptive retardée.

DIRECTIVES IMPORTANTES

POUR ÉVITER UNE MAUVAISE UTILISATION PAR LES ENFANTS :

⚠ AVERTISSEMENT

L'appareil et ses pièces accessibles deviennent chaudes pendant l'utilisation. Les enfants de moins de huit ans ne doivent pas s'approcher à moins qu'ils ne soient supervisés de façon continue.

- Cet appareil peut être utilisé par des enfants de huit ans et plus, et par des personnes ayant des capacités physiques, sensorielles ou mentales réduites ou un manque d'expérience et de connaissances si elles sont supervisées ou si elles ont reçu des directives sur la façon d'utiliser l'appareil de façon sécuritaire et comprennent les dangers encourus. Les enfants doivent être supervisés pour s'assurer qu'ils ne jouent pas avec l'appareil.
- Le nettoyage et l'entretien devant être effectués par l'utilisateur ne doivent pas être accomplis par des enfants de moins de huit ans et sans supervision.
- Cet appareil est conçu pour être utilisé dans des applications ménagères et similaires comme : les coins cuisines des employés d'ateliers, de bureaux et d'autres environnements de travail; les fermes; les clients d'hôtels, de motels et d'autres environnements résidentiels; les environnements de type chambre et petit déjeuner.

POUR ÉVITER LA POSSIBILITÉ DE CHOC ÉLECTRIQUE :

- Si le cordon d'alimentation de cet appareil est endommagé, il doit être remplacé par un cordon spécial. L'échange doit être effectué par un centre de service Wolf certifié par l'usine.

POUR ÉVITER LA POSSIBILITÉ DE BRÛLURES :

- Ne vous appuyez pas et ne vous balancez pas sur la porte du four. Ne jouez pas avec le four et ne l'utilisez pas comme jouet. Vous devez enseigner aux enfants toutes les directives de sécurité importantes : l'utilisation de gants de cuisine, le retrait soigné des couvre-plats, et faire particulièrement attention aux emballages (ex., les matériaux auto-chauffants) conçus pour rendre les aliments croustillants, puisqu'ils peuvent être très chauds.

⚠ AVERTISSEMENT

PROPOSITION 65 POUR LES RÉSIDENTS DE LA CALIFORNIE

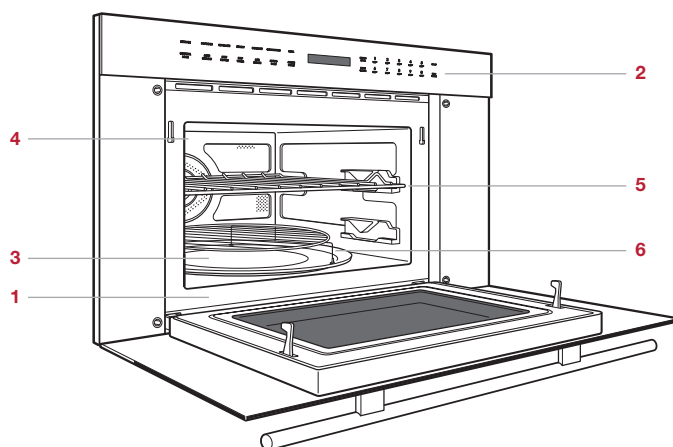
Cause le cancer et des troubles reproductifs—
www.P65Warnings.ca.gov

Caractéristiques du four à cuisson rapide

CARACTÉRISTIQUES

1	Plaque signalétique du produit
2	Panneau de commande et affichage
3	Plateau rotatif
4	Éclairage intérieur
5	Grille du four (2)*
6	Montée du four (2)*

*Non utilisées pour la cuisson au four à micro-ondes seulement.



Four à cuisson rapide (SPO30TE/S/TH illustré)

Comment commencer

Nous savons que vous êtes impatient de commencer à cuisiner, mais avant de le faire, veuillez prendre quelques instants pour lire ce guide d'utilisation et d'entretien. Que vous soyez un cuisinier occasionnel ou un chef expert, il vous sera bénéfique de vous familiariser avec les pratiques de sécurité, les fonctions, le fonctionnement, et les recommandations d'entretien de votre four à cuisson rapide de Wolf.

Nettoyez le four à fond avec de l'eau chaude et un détergent doux. Rincez et séchez avec un chiffon doux pour éliminer tous les résidus d'huile et de graisse laissés par le processus de fabrication. Reportez-vous aux recommandations d'entretien à la page 20.

FONCTIONNEMENT DU FOUR

Panneau de commande

Le panneau de commande comprend des commandes tactiles et un affichage visuel interactif. Reportez-vous à l'illustration ci-dessous.

CONTROL LOCK (VERROUILLAGE DES COMMANDES)

La fonction de verrouillage des commandes empêche le fonctionnement non désiré du four.

Pour verrouiller :

- 1 Touchez à Control Lock (verrouillage des commandes), puis touchez à Start (commencer). Les mots « LOCK ON » (verrouillage activé) apparaîtront sur l'écran du panneau de commande.

Pour déverrouiller :

- 1 Touchez à Control Lock (verrouillage des commandes), puis touchez à Start (commencer). Les mots « LOCK OFF » (verrouillage désactivé) apparaîtront sur l'écran du panneau de commande.

Fonctionnement du four

HORLOGE

L'horloge doit être réglée avant l'utilisation et après une panne de courant.

Réglage de l'horloge :

- 1 Touchez à Stop/Clear (arrêter/annuler).
- 2 Touchez à Timer/Clock (heure/horloge) une fois pour le mode de 12 heures ou deux fois pour le mode de 24 heures.
- 3 Utilisez le clavier numérique pour saisir l'heure, puis touchez à Start (commencer).

MINUTERIE

La minuterie peut être réglée pour une période maximale de 99 minutes et 99 secondes. Une fois la durée réglée, le décompte apparaît sur l'écran du panneau de commande. Le four retentira et le mot « END » (fin) apparaîtra sur l'écran lorsque la période est terminée.

Réglage de la minuterie :

- 1 Appuyez sur Timer/Clock (minuterie/horloge).
- 2 Utilisez le clavier numérique pour saisir la durée de la minuterie.
- 3 Touchez à Start (commencer) pour commencer.
- 4 Touchez à Stop/Clear (arrêter/effacer) pour annuler.

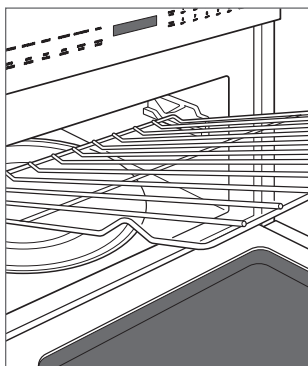


Panneau de commande

Fonctionnement du four

GRILLES DU FOUR

Pour insérer une grille, inclinez l'avant de la grille vers le haut et insérez l'arrière dans les guides de grille. Glissez la grille vers l'arrière et inclinez l'avant de la grille vers le bas pour dégager les butées de grille. Continuez à glisser la grille vers l'arrière jusqu'à ce qu'elle soit complètement insérée à l'intérieur du four. Reportez-vous à l'illustration ci-dessous.



Grille du four

Settings (réglages)

La fonction des réglages permet à l'utilisateur de sélectionner des préférences individuelles. Les préférences doivent être réglées à nouveau après une panne de courant.

Touchez à 1 sur le panneau de commande pour avancer ou sur 6 pour reculer pour sélectionner les préférences.

SIGNAL AUDIBLE

Un signal audible retentit lorsque chaque touche est enfoncée et lorsque la cuisson et la minuterie sont terminées.

Pour éliminer le signal :

- 1 Touchez à Settings (réglages).
- 2 Touchez à 6.
- 3 Touchez à Start (commencer). Les mots « SOUND OFF » (signal désactivé) apparaîtront sur l'écran du panneau de commande.

Pour restaurer le signal :

- 1 Touchez à Settings (réglages).
- 2 Touchez à 1.
- 3 Touchez à Start (commencer). Les mots « SOUND ON » (signal activé) apparaîtront sur l'écran du panneau de commande.

Settings (réglages)

RAPPEL DE FIN DE CUISSON

Un fois la cuisson terminée, le four émet une sonnerie toutes les dix secondes pendant la première minute; puis toutes les trois minutes (pendant une heure) jusqu'à ce que la touche Stop/Clear (arrêter/annuler) soit enfoncée.

Pour éliminer le rappel :

- 1 Touchez à Settings (réglages) deux fois.
- 2 Touchez à 6.
- 3 Touchez à Start (commencer). Les mots « REMIND SIGNAL OFF » (signal de rappel désactivé) apparaîtront sur l'écran du panneau de commande.

Pour restaurer le rappel :

- 1 Touchez à Settings (réglages) deux fois.
- 2 Touchez à 1.
- 3 Touchez à Start (commencer). Les mots « REMIND SIGNAL ON » (signal de rappel activé) apparaîtront sur l'écran du panneau de commande.

UNITÉ DE POIDS

Pour les modes de cuisson où le poids est requis, l'unité de mesure par défaut peut être modifiée des livres aux kilogrammes.

Pour passer à l'unité de mesure en kilogrammes :

- 1 Touchez à Settings (réglages) trois fois.
- 2 Touchez à 6.
- 3 Touchez à Start (commencer). Les mots « KGS SET » (kg réglés) apparaîtront sur l'écran du panneau de commande.

Pour modifier l'unité de mesure à livres:

- 1 Touchez à Settings (réglages) trois fois.
- 2 Touchez à 1.
- 3 Touchez à Start (commencer). Les mots « LBS SET » (lb réglées) apparaîtront sur l'écran du panneau de commande.

RÉGLAGES EN USINE

Pour rétablir les réglages effectués en usine :

- 1 Touchez à Settings (réglage) quatre fois.
- 2 Touchez à Start (commencer). Les mots « FACTORY SETTINGS RESTORED » (réglages en usine rétablis) apparaîtront sur l'écran du panneau de commande.

MODE DE DÉMONSTRATION

Le mode de démonstration permet de démontrer le fonctionnement sans que le four à cuisson rapide ne soit alimenté.

Pour accéder au mode de démonstration :

- 1 Touchez à Settings (réglages) cinq fois.
- 2 Touchez à 1.
- 3 Touchez à Start (commencer). Les mots « DEMO ON » (démo activée) apparaîtront sur l'écran du panneau de commande. Le mot « DEMO » (démonstration) restera affiché sur l'écran.

Pour quitter le mode de démonstration :

- 1 Touchez à Settings (réglages) cinq fois.
- 2 Touchez à 6.
- 3 Touchez à Start (commencer). Les mots « DEMO OFF » (démo désactivée) apparaîtront sur l'écran du panneau de commande.

Cuisson manuelle

NIVEAU DE PUISSANCE

Le four à cuisson rapide possède dix niveaux de puissance préréglés.

Pour cuire manuellement à une puissance de 100 % :

- 1 Utilisez le clavier numérique pour entrer la durée de cuisson désirée.
- 2 Touchez à Start (commencer).
- 3 Le four retentira et le mot « END » (fin) apparaîtra sur l'écran du panneau de commande lorsque la période est terminée.

Pour cuire manuellement à un niveau de puissance inférieur à 100 %, touchez à Power Level (niveau de puissance), puis utilisez le clavier numérique pour sélectionner le niveau de puissance désiré. Reportez-vous au tableau ci-dessous.

NIVEAU DE PUISSANCE

NIVEAU DE PUISSANCE	Élevé	100 %
NIVEAU DE PUISSANCE, 9		90 %
NIVEAU DE PUISSANCE, 8		80 %
NIVEAU DE PUISSANCE, 7	Moyen élevé	70 %
NIVEAU DE PUISSANCE, 6		60 %
NIVEAU DE PUISSANCE, 5	Moyen	50 %
NIVEAU DE PUISSANCE, 4		40 %
NIVEAU DE PUISSANCE, 3	Moyen faible Décongélation	30 %
NIVEAU DE PUISSANCE, 2		20 %
NIVEAU DE PUISSANCE, 1	Faible	10 %

CUISSON À PLUSIEURS SÉQUENCES

Le four à cuisson rapide peut être programmé pour jusqu'à quatre séquences de cuisson automatique, en alternant automatiquement entre les modes, les températures et les niveaux de puissance (par ex., commencer à 100 %, puis passer à 50 % de la puissance).

Pour utiliser la cuisson à plusieurs séquences :

- 1 Enfoncez Power Level (niveau de puissance) et saisissez le niveau de puissance désiré pour la première séquence de cuisson (pour 100 %, enfoncez Power Level (niveau de puissance) une seconde fois), puis utilisez le clavier numérique pour saisir la durée de cuisson désirée.
- 2 Touchez à Power Level (niveau de puissance), puis touchez à 5, puis utilisez le clavier numérique pour saisir une seconde durée de cuisson.
- 3 Touchez à Start (commencer).

ADD MINUTE (AJOUTER UNE MINUTE)

La fonction ajouter une minute cuit pendant une minute à 100 % en enfonçant la touche Add Minute (ajouter une minute). Enfoncez-la plusieurs fois pour augmenter la durée de cuisson. Chaque appui augmente la durée de cuisson d'une minute. Cette fonction ne peut pas être utilisée avec la cuisson par capteur.

Cuisson manuelle

KEEP WARM (GARDER AU CHAUD)

La fonction garder au chaud gardera les aliments chauds pendant une période pouvant atteindre 90 minutes.

Pour utiliser la fonction garder au chaud :

- 1 Touchez à Keep Warm (garder au chaud).
- 2 Utilisez le clavier numérique pour entrer la durée pendant laquelle vous souhaitez garder les aliments au chaud.
- 3 Touchez à Start (commencer).
- 4 Touchez à Stop/Clear (arrêter/effacer) pour annuler.

POPCORN (MAÏS À ÉCLATER)

La fonction maïs à éclater comprend deux options. Suivez les directives sur l'écran du panneau de commande pour sélectionner l'option désirée. Utilisez seulement du maïs à éclater emballé pour l'usage au four à micro-ondes.

Pour utiliser la fonction maïs à éclater :

- 1 Touchez à Popcorn (maïs à éclater) une fois pour un emballage de taille régulière ou deux fois pour les emballages de taille collation.
- 2 Touchez à Start (commencer).

BEVERAGE (BOISSONS)

La fonction boissons réchauffera une boisson ou préparera de l'eau chaude pour du café ou du thé.

Pour utiliser la fonction boissons :

- 1 Touchez à Beverage (boissons).
- 2 **Pour réchauffer une boisson :** Touchez à 1, puis touchez à 1 ou 6 pour sélectionner la quantité dans des incréments de ½ tasse (125 ml), jusqu'à 2 tasses (500 ml).

Pour de l'eau chaude : Touchez à 2, puis touchez à 1 ou 6 pour sélectionner la quantité dans des incréments de 1 tasse (250 ml), jusqu'à 6 tasses (1,5 litre).

- 3 Touchez à Start (commencer).

MELT/SOFTEN (FONDRE/RAMOLLIR)

La fonction fondre/ramollir fera fondre le beurre ou le chocolat et ramollira le fromage en crème ou le beurre.

Pour utiliser la fonction fondre/ramollir :

- 1 Touchez à Melt/Softening (fondre/ramollir).
- 2 **Fondre du beurre :** Touchez à 1, puis touchez à 1 une fois pour 2 c. à soupe (30 ml) ou deux fois pour ½ tasse (125 ml).

Fondre du chocolat : appuyez sur 2.

Ramollir du fromage en crème : appuyez sur 3.

Ramollir du beurre : appuyez sur 4.

- 3 Touchez à Start (commencer).

Cuisson manuelle

CONVECTION MANUELLE

Durant la cuisson à convection, de l'air chaud est circulé dans le four pour brunir et rendre les aliments croustillants rapidement et uniformément. Pour voir la température réglée durant la cuisson, touchez à convection.

Pour sélectionner la convection manuelle :

- 1 Touchez Convection. Si vous souhaitez une température autre que celle pré réglée, appuyez de nouveau sur Convection, puis utilisez les touches numériques pour entrer la température (par ex., 6 pour 350 °F (175 °C)).
- 2 Touchez à Start (commencer) pour commencer le préchauffage.
- 3 Une fois le préchauffage terminé, un carillon indique que le four a atteint la température réglée. Ajoutez des aliments, entrez le temps de cuisson souhaité, puis touchez Start (commencer).

BROIL (GRILLAGE)

La fonction de grillage utilise les éléments supérieurs de la cavité du four pour fournir de la chaleur directe sur le dessus des aliments pour les brunir. Selon l'aliment, le montant élevé ou bas doit être utilisé sur le plateau rotatif pour obtenir de meilleurs résultats avec la fonction de grillage.

Pour sélectionner grillage :

- 1 Touchez à Broil (grillage).
- 2 Utilisez le clavier numérique pour saisir la durée de cuisson désirée.
- 3 Touchez à Start (commencer).

MICRO BAKE ET MICRO ROAST (MICRO CUISSON ET MICRO RÔTISSAGE)

Le four à cuisson rapide possède deux réglages pré réglés qui facilitent la cuisson avec la chaleur à convection et à micro-ondes automatiquement. Des moules sans danger pour le four ou le four à micro-ondes peuvent être utilisés. À l'exception des aliments qui sont mieux cuits par cuisson à convection seulement, la plupart des aliments sont appropriés pour une cuisson combinée en utilisant la micro cuisson ou le micro rôtissage. Reportez-vous au tableau ci-dessous.

Les températures, qui varient de 100 °F (40 °C) à 450 °F (230 °C), peuvent être modifiées; par contre, le niveau de puissance ne peut pas l'être.

CUISSON COMBINÉE

RÉGLAGE	TEMPÉRATURE	PUISSANCE
Micro cuisson	325 °F (165 °C)	10 %
Micro rôtissage	300 °F (150 °C)	30 %

Pour sélectionner la cuisson combinée :

- 1 Placez les aliments dans le four.
- 2 Touchez sur Micro Bake ou Micro Roast.
- 3 Si vous souhaitez une température autre que celle prédéfinie, touchez sur Convection, puis utilisez les touches numériques pour entrer la température (par ex., 6 pour 350 °F (175 °C)).
- 4 Entrez le temps de cuisson désiré.
- 5 Touchez sur Démarrer.

Cuisson avec capteur

GOURMET (gastronomique)

La fonction Gourmet (gastronomique) détecte l'humidité des aliments pendant la cuisson et ajuste automatiquement la durée et le niveau de puissance. Les légumes frais et la volaille ont deux options. Suivez les directives sur l'écran du panneau de commande pour sélectionner l'option désirée. Reportez-vous au guide Gourmet (gastronomique) à la page suivante.

Pour sélectionner la fonction gastronomique :

- 1 Touchez à Gourmet (gastronomique), puis utilisez le clavier numérique pour sélectionner l'aliment désiré (comme 5 pour les pommes de terre au four, par exemple).
- 2 Touchez à Start (commencer).

REHEAT (RÉCHAUFFER)

La fonction Reheat (réchauffer) détecte l'humidité des aliments pendant le réchauffement et ajuste automatiquement la durée et le niveau de puissance.

Pour sélectionner Reheat (réchauffer) :

- 1 Touchez à Reheat (réchauffer).
- 2 Touchez à Start (commencer).

Guide Gourmet (gastronomique)

NUMÉRO	ALIMENT	QUANTITÉ	MÉTHODE	INSTRUCTIONS
1	Fruits et légumes frais—mous Brocoli, chou-fleur, chou, choux de Bruxelles, épinards et zucchini Pommes cuites	1/4–3 lb (115 g–1,4 kg) 2–4 moyennes	Micro-ondes	Laver et placer dans un récipient non métallique allant au micro-ondes. Couvrez avec le couvercle ou avec un film étirable (percez-le cinq fois). Après la cuisson, remuez si possible. Laissez reposer pendant deux à cinq minutes, couvert.
2	Légumes frais—durs Carottes (tranchées) Maïs en épis Haricots verts Potiron (en cubes) Potiron (coupé en deux)	1/4–2 lb (115 g–0,9 kg) 2–4 épis 1/4–2 lb (115 g–0,9 kg) 1/4–2 lb (115 g–0,9 kg) 1–2	Micro-ondes	Placer dans un récipient non métallique et au micro-ondes. Ajoutez de 1 à 4 cuillers à soupe (15 à 60 ml) d'eau. Couvrez avec le couvercle pour obtenir des légumes tendres. Utilisez du film étirable pour obtenir des légumes de tendres à croustillants. Après la cuisson, remuez si possible. Laissez reposer pendant deux à cinq minutes, couvert.
3	Légumes surgelés	1/4–2 lb (115 g–0,9 kg)	Micro-ondes	Placer dans un récipient non métallique et au micro-ondes. N'ajoutez pas d'eau. Couvrez avec le couvercle ou du film étirable. Après la cuisson, remuez et laissez les légumes reposer pendant trois minutes, couverts.
4	Repas surgelé	8 oz–3 lb (227 g–1,4 kg)	Micro-ondes	Retirez le contenu de l'emballage. Retirez l'enveloppe extérieure et suivez les directives sur l'emballage pour la couverture. Après la cuisson, laissez le repas reposer pendant une à trois minutes, couvert.
5	Pommes de terre au four	1–6 moyenne(s)	Micro-ondes	Percez chaque pomme de terre trois fois de chaque côté et placez sur le périmètre du plateau rotatif. Après la cuisson, retirez du micro-ondes, enveloppez-les de papier d'aluminium et laissez-les reposer pendant cinq à dix minutes.
6	Bacon	2–6 tranches	Micro-ondes	Placez-le dans un récipient non métallique doublé de papier essuie-tout, adapté aux micro-ondes. Les tranches de bacon épaisses pourront devoir être cuites plus longtemps pour obtenir la cuisson voulue.
7	Hamburgers	2–4 galettes 1/4 lb (115 g) chacune	Gril et micro-ondes	Placez les hamburgers dans un récipient en verre peu profond pouvant aller au four, sur une contremarche.
8	Steaks	2 steaks 3/4–1 po (19–25) d'épaisseur	Gril et micro-ondes	Placez les steaks dans un récipient en verre peu profond pouvant aller au four, sur une colonne montante.
9	Viande hachée	1/4–2 lb (115 g–0,9 kg)	Micro-ondes	Placez la viande hachée dans un récipient non métallique allant au micro-ondes et séparez-la légèrement avant la cuisson. Couvrez avec du film étirable (percez-le cinq fois). Lorsque le micro-ondes s'arrête, remuez et coupez la viande pour briser les gros morceaux. Couvrez et touchez à Start (commencer). Après la cuisson, laissez l'aliment reposer pendant deux à trois minutes, couvert.

Guide Gourmet (gastronomique)

NUMÉRO	ALIMENT	QUANTITÉ	MÉTHODE	INSTRUCTIONS
10	Morceaux de poulet— non désossés Aile, jambe, cuisse, poitrine	2–4 morceaux	Gril et micro-ondes	Placez les morceaux de poulet dans un récipient en verre peu profond allant au four allant au four. Après la cuisson, laissez reposer pendant cinq minutes. La température interne doit atteindre au moins 170 °F (75 °C) pour la viande blanche et 180 °F (80 °C) pour la viande brune.
11	Poitrines de poulet— désossées	2–4 morceaux	Gril et micro-ondes	Placer les poitrines de poulet dans un récipient en verre peu profond, allant au four, au four surélevé. Après la cuisson, laissez reposer pendant cinq minutes. La température interne doit atteindre au moins 170 °F (75 °C).
12	Poisson	$\frac{1}{4}$ –2 lb (115 g–0,9 kg)	Micro-ondes	Disposez en cercle autour d'un récipient peu métallique et non micro-ondes peu profond. Couvrez avec du film étirable (percez-le cinq fois). Après la cuisson, laissez reposer pendant cinq minutes, couvert.
13	Riz blanc	$\frac{1}{2}$ –4 tasses (95–512 g)	Micro-ondes	Placez le riz dans un récipient non métallique allant au micro-ondes et ajoutez le double de la quantité d'eau bouillante (par ex., 1 tasse de riz et 2 tasses d'eau). Couvrez avec le couvercle ou du film étirable (percez-le cinq fois). Après la cuisson, remuez, couvrez et laissez reposer jusqu'à ce que tout le liquide ait été absorbé.
14	Gâteaux	1 gâteau moule de 9 po (229)	Convection et micro-ondes	Préparez conformément à la recette ou aux directives se trouvant sur l'emballage. Une fois le préchauffage terminé, placez-le dans un récipient en verre allant au four de 9 po (229) sur le montant bas.
15	Biscuits	Jusqu'à neuf sur une tôle de 12 po (305)	Convection	Préparez selon la recette ou les directives se trouvant sur l'emballage et placez sur une tôle à pizza de 12 po (305) sur le montant bas. Les biscuits doivent mesurer environ 2 po (51) pour obtenir de meilleurs résultats.

Décongélation

AUTO DEFROST (DÉCONGÉLATION AUTOMATIQUE)

La fonction décongélation automatique utilise des réglages pré-réglés pour décongeler certains aliments. Reportez-vous au guide de décongélation automatique à la page suivante.

Pour sélectionner la décongélation automatique :

- 1 Touchez à Auto Defrost (décongélation automatique), puis utilisez le clavier numérique pour sélectionner l'aliment désiré (comme 3 pour la volaille désossée, par exemple).
- 2 Utilisez le clavier numérique pour saisir le poids.
- 3 Touchez à Start (commencer). Après une période de temps, le four s'arrête afin de vérifier les aliments.
- 4 Ouvrez la porte et retournez l'aliment.
- 5 Répétez jusqu'à ce que la décongélation soit complète.

Guide de décongélation automatique

NUMÉRO	ALIMENT	QUANTITÉ	INSTRUCTIONS
1	Viande hachée	1/2–2 lb (230 g–1,1 kg)	Retirez tout morceau décongelé après chaque signal audible. Laissez reposer pendant cinq à dix minutes, couvert.
2	Steaks, côtelettes	1/2–3 lb (230 g–1,4 kg)	Après chaque signal audible, déplacez les aliments. S'il y a des parties chaudes ou décongelées, protégez-les avec de petits morceaux de papier d'aluminium. Retirez toute viande décongelée. Laissez reposer pendant 10 à 15 minutes, couvert.
3	Volaille désossée	1/2–2 lb (230 g–0,9 kg)	Après chaque signal audible, déplacez les aliments. S'il y a des parties chaudes ou décongelées, protégez-les avec de petits morceaux de papier d'aluminium. Retirez toute viande décongelée. Laissez reposer pendant 10 à 15 minutes, couvert.
4	Volaille avec os	1/2–3 lb (230 g–1,4 kg)	Après chaque signal audible, déplacez les aliments. S'il y a des parties chaudes ou décongelées, protégez-les avec de petits morceaux de papier d'aluminium. Retirez toute viande décongelée. Laissez reposer pendant 10 à 15 minutes, couvert.
5	Rôtissage	2–4 lb (0,9–1,8 kg)	Commencez la décongélation avec le côté gras vers le bas. Après chaque signal audible, retournez et protégez les zones chaudes avec du papier d'aluminium. Laissez reposer pendant 30 à 60 minutes, couvert.

Conseils d'entretien

NETTOYAGE

Acier inoxydable	Utilisez un nettoyant non abrasif pour l'acier inoxydable et appliquez-le avec un chiffon doux non pelucheux. Pour faire ressortir le lustre naturel, essuyez légèrement la surface avec un chiffon en microfibras humecté d'eau suivi d'un chamois à polir sec. Suivez toujours le grain de l'acier inoxydable.
Devant de la porte	Pulvérisez du nettoyant à vitre sur un chiffon propre.
Panneau de commande	Utilisez un dégraissant pulvérisé pour éliminer les empreintes de doigts et les taches de nourriture. Pulvérisez sur un chiffon avant d'essuyer le panneau de commande. REMARQUE IMPORTANTE : Ne pulvérisez pas les produits à nettoyer directement sur le panneau de commande. Pour verrouiller le panneau de commande avant de le nettoyer, reportez-vous à la page 9.
Intérieur	Essuyez avec un chiffon doux et humide. N'utilisez pas de nettoyants abrasifs ou puissants ou de tampons à récurer. Pour la saleté plus tenace, utilisez du bicarbonate de soude ou un savon doux; rincez à fond avec de l'eau chaude. N'utilisez pas de produits chimiques à nettoyer les fours.
Grilles et montées du four	Retirez pour nettoyer. Lavez à l'eau avec un savon doux. Pour les taches rebelles, utilisez un nettoyant doux et une éponge à récurer non abrasive. Les grilles et les montants peuvent être lavés au lave-vaisselle.
Plateau rotatif	Retirez pour le nettoyer. Lavez à l'eau avec un savon doux. Pour les taches rebelles, utilisez un nettoyant doux et une éponge à récurer non abrasive. Le plateau rotatif peut être lavé au lave-vaisselle.
Blindage du guide d'ondes	Situé sur la partie supérieure interne de l'intérieur du micro-ondes. Essuyez soigneusement avec un chiffon doux et humide. Ne retirez pas le blindage du guide d'ondes.

Dépannage

Le four ne fonctionne pas.

- Assurez-vous qu'il y a du courant.
- Vérifiez l'alimentation électrique vers le four et que le disjoncteur de la résidence est en marche.

Les aliments dans le four ne chauffent pas.

- Vérifiez les commandes pour vous assurer que le bon réglage est choisi.
- Le four est en mode de démonstration. Reportez-vous à la page 11 pour annuler.

La durée sur l'écran effectue le compte à rebours très rapidement.

- Le four est en mode de démonstration. Reportez-vous à la page 11 pour annuler.

La lumière intérieure ne fonctionne pas.

- Communiquez avec le centre de service Wolf certifié par l'usine.

Les commandes tactiles ne fonctionnent pas.

- La fonction de verrouillage du panneau de commande est activée. Reportez-vous à la page 9 pour le déverrouiller.

L'affichage clignote.

- Panne d'électricité. Touchez à Stop/Clear (arrêter/annuler) et réinitialisez l'horloge. Si le four était utilisé, réinitialisez la fonction de cuisson.

Interférence radio ou télé causée par le four.

- Assurez-vous que le four se trouve sur un circuit électrique différent, déplacez la radio ou le téléviseur aussi loin du four que possible, ou vérifiez la position et le signal de l'antenne.

Service

- Préservez la qualité intégrée dans votre produit en communiquant avec un service Wolf certifié par l'usine. Pour obtenir le nom du centre de service Wolf certifié par l'usine le plus près de chez vous, consultez la section Support et service de notre site Web, wolfappliance.com ou appelez le service à la clientèle de Wolf à 800-222-7820.
- Avant d'appeler pour obtenir du service, ayez en main les numéros de modèle et de série de votre produit. Les deux numéros sont indiqués sur la plaque signalétique du produit. Reportez-vous à la page 8 pour connaître l'emplacement de la plaque signalétique.
- Pour les besoins de la garantie, vous devrez aussi avoir la date d'installation et le nom de votre dépositaire Wolf autorisé. Ces renseignements doivent être notés à la page 3 de ce guide.

Garantie limitée résidentielle Wolf Appliance

POUR UTILISATION RÉSIDENTIELLE

GARANTIE COMPLÈTE DE DEUX ANS*

Pendant deux ans à compter de la date d'installation originale, cette garantie de produit Wolf Appliance couvre toutes les pièces et la main d'œuvre pour réparer ou remplacer, selon un usage résidentiel normal, toute partie du produit qui s'avérerait défectueuse en vertu des matériaux ou de la fabrication. Tout service fourni par Wolf Appliance en vertu de la garantie ci-dessus doit être effectué par un centre de service Wolf certifié par l'usine, à moins d'indication contraire de la part de Wolf Appliance, Inc. Le service sera fourni pendant les heures normales d'affaires.

GARANTIE LIMITÉE DE CINQ ANS

Pendant cinq ans à compter de la date originale d'installation, Wolf Appliance réparera ou remplacera les pièces suivantes qui s'avèreront défectueuses en vertu des matériaux ou de la fabrication : les brûleurs au gaz (sauf l'apparence), les éléments de chauffage électrique, les moteurs de soufflerie (hottes de ventilation), les circuits de contrôle électronique, les tubes magnétrons et les génératrices à induction. Si le propriétaire utilise le service Wolf certifié en usine, le fournisseur de service réparera ou remplacera ces pièces et le propriétaire paiera pour tous les autres frais, y compris la main d'œuvre. Si le propriétaire utilise un service non certifié, il doit communiquer avec Wolf Appliance, Inc. (avec les renseignements ci-dessous) pour obtenir des pièces réparées ou de rechange. Wolf Appliance ne remboursera pas le propriétaire pour les pièces achetées d'un service non certifié ou d'autres sources.

CONDITIONS S'APPLIQUANT À CHAQUE GARANTIE

La garantie s'applique uniquement aux produits installés pour un usage résidentiel normal. La garantie s'applique seulement aux produits installés dans l'un des cinquante états des États-Unis, dans le District of Columbia ou les dix provinces du Canada. Cette garantie ne couvre pas les pièces ou la main d'œuvre pour corriger tout défaut causé par de la négligence, un accident ou une utilisation, un entretien, une installation, un service ou une réparation inappropriés.

LES REMÈDES DÉCRITS CI-DESSUS POUR CHAQUE GARANTIE SONT LES SEULS QUI SONT OFFERTS PAR WOLF APPLIANCE, INC. EN VERTU DE CETTE GARANTIE OU EN VERTU DE TOUTE GARANTIE DÉCOULANT DE L'OPÉRATION DE LA LOI. WOLF APPLIANCE, INC. NE SERA PAS RESPONSABLE DES DOMMAGES INDIRECTS OU CONSÉCUTIFS DÉCOULANT DE LA VIOLATION DE CETTE GARANTIE OU DE TOUTE GARANTIE, EXPRESSE, IMPLICITE OU LÉGALE.

Certaines provinces ne permettent pas l'exclusion ou la restriction des dommages indirects ou consécutifs, par conséquent, la limite ou l'exclusion ci-dessus peut ne pas s'appliquer à votre cas. Cette garantie vous confère des droits légaux précis et vous pouvez aussi avoir d'autres droits légaux qui peuvent varier d'une province à l'autre.

Pour obtenir des pièces et/ou du service et le nom du centre de service Wolf certifié par l'usine le plus près de chez vous, communiquez avec Wolf Appliance, Inc., P.O. Box 44848, Madison, WI 53744 É.-U.; Consultez la section Support et service de notre site Web, wolfappliance.com, envoyez-nous un courriel à customerservice@subzero.com ou composez le 800-222-7820.

*L'acier inoxydable (les portes, les panneaux, les poignées, les cadres et les surfaces intérieures) est couvert par une garantie limitée de 60 jours sur les pièces et la main d'œuvre pour toute défectuosité cosmétique.

*Les filtres de rechange pour les trousse de recirculation de hotte ne sont pas couverts par la garantie du produit.





WOLF APPLIANCE, INC. P.O. BOX 44848 MADISON, WI 53744 WOLFAPPLIANCE.COM 800.222.7820

9021483 REV-D

3/2020

