

KEY FEATURES

- Dynamic ProBake® Convection
- EasyClean® with Self Clean
- Glass Touch (SmoothTouch™)
- 6.8" LCD
- EasyClean® + Self Clean
- WideView™ Window
- Bi-Directional Multi-Speed
- ThinQ®



Knob

Control Panel

ThinQ App



PRODUCT FEATURES

SUMMARY		APPEARANCES		POWER/RATINGS	
Type	Slide-In Pro Range	Available Colors	Stainless Steel	Required Power Supply (amp)	120V/60Hz/4.8A
Oven Capacity (cu.ft.)	6.3	Knobs	Aluminum	<b>DIMENSIONS / CLEARANCES/ WEIGHT</b>	
Color	Stainless Steel	Knobs Material	Aluminum	Shipping Weight	365 lbs.
<b>CAPACITY</b>		Knob Lighting (Backlit Dial Knob)	Yes	Product Weight	298 lbs.
Oven Capacity (cu.ft.)	6.3	Handle	Stainless Steel	Cabinet Width	36"
<b>COOKTOP</b>		Handle Material	Aluminum	Overall Depth without handle	26 3/4"
Burner/ BTU - Left Rear	12,000 BTU	Handle Type	Bar Type	Overall Depth including handle	29 5/16"
Burner/ BTU - Right Rear	5,000 BTU	PrintProof™ Finish	No	Overall Height	35 1/4"
Burner/ BTU - Left Front	20,000 BTU	Oven Door Feature	WideView™ Window	Overall Width	35 7/8"
Burner/ BTU - Right Front	23,000 BTU UltraHeat™	Cooktop Finish	Porcelain Enamel	Oven Interior Dimensions (W x H x D)	29 15/16" x 20 5/16" x 17 13/16"
Burner/ BTU - Center Rear	17,000 BTU	<b>CONTROL</b>		Height to Cooking Surface	36"
Burner/ BTU - Center Front	17,000 BTU	Cooktop Control Type	Front Control Knobs	Drawer Dimensions (W x H x D)	22 3/16" x 4 1/2" x 16 3/8"
<b>OVEN FEATURES</b>		Oven Control Type	Glass Touch	Carton Dimensions (W x H x D)	41 7/8" x 48" x 33 1/16"
Broil Element (BTU)	17,000 BTU	Display	6.8" LCD	<b>LIMITED WARRANTY</b>	
Convection (BTU)	22,000(LNG), 17,000(LPG)	Language	English/ Spanish/ French	Parts and Labor	2 Year
Convection Fan	Bi-Directional Multi-Speed	Clock	12hr or 24hr (Option)	<b>UPC CODE</b>	
Convection Type	Dynamic ProBake® Convection	Kitchen Timer	Yes	LPGU6319Y	048231350358
Oven Modes	Bake, Conv. Bake, Conv. Roast, Broil High, Broil Low, Warm, Proof, Frozen Meal, Air Fry, Air Sous-Vide, Air Roast, Pizza, Crispy Reheat, Dehydrate, Auto cook, EasyClean®, Self Clean	Timed Cook	Yes		
		Temperature Unit of Measure	Fahrenheit / Celsius		
Oven Control Features	Glass Touch (SmoothTouch™)	Cooking Complete Reminder Volume	Beeper (1.Loud, 2.Low, 3.Mute)		
Convection Conversion	Yes	Certified Sabbath mode	Yes		
EasyClean®	Yes	<b>ACCESSORIES</b>			
EasyClean® Time	10 mins	Gliding Rack	1		
Self Clean	Yes	Air Fry Rack	1		
GoCook Smart Oven Light	Yes	Heavy Duty Rack	2		
No. of Rack Positions	7	Temperature Probe	1		
Door Lock	Yes	<b>SMART FEATURES</b>			
Automatic Safety Shut-Down	After 12 hours	ThinQ® (Wi-Fi Enabled)	Yes		
InstaView	No	ThinQ Up	Yes		
<b>DRAWER FEATURES</b>		Check & Control	Yes		
Type	Storage	Voice Control	Google Assistant & Amazon Alexa		
		Smart Recipe (3rd Party Recipe App)	No (ThinQ Up Recipe Only)		
		Proactive Customer Care	Yes		
		SmartDiagnosis™	Yes		

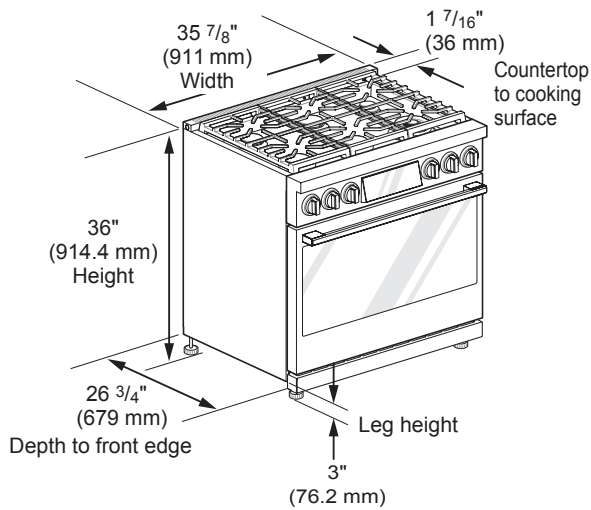
# LPGU6319Y

LG SIGNATURE 36" Pro Range

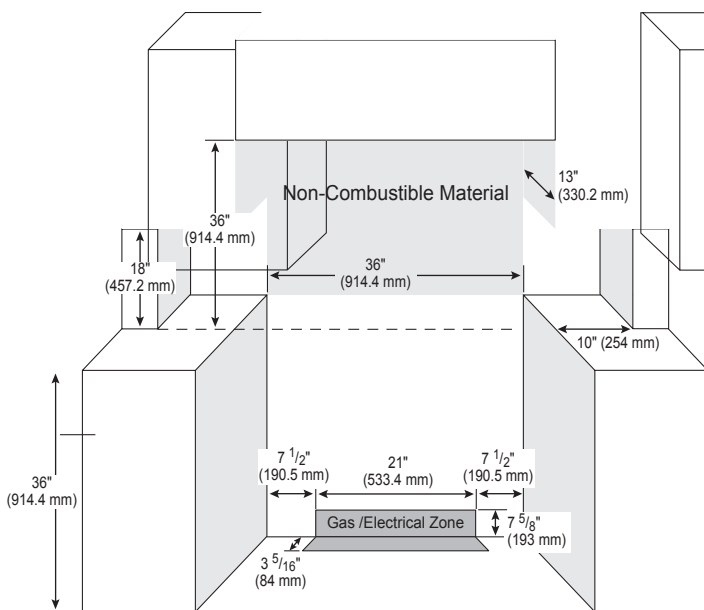
## QUICK INSTALL & CLEARANCES

For full installation directions/clearances please refer to the corresponding User Manual and Installation Guide.

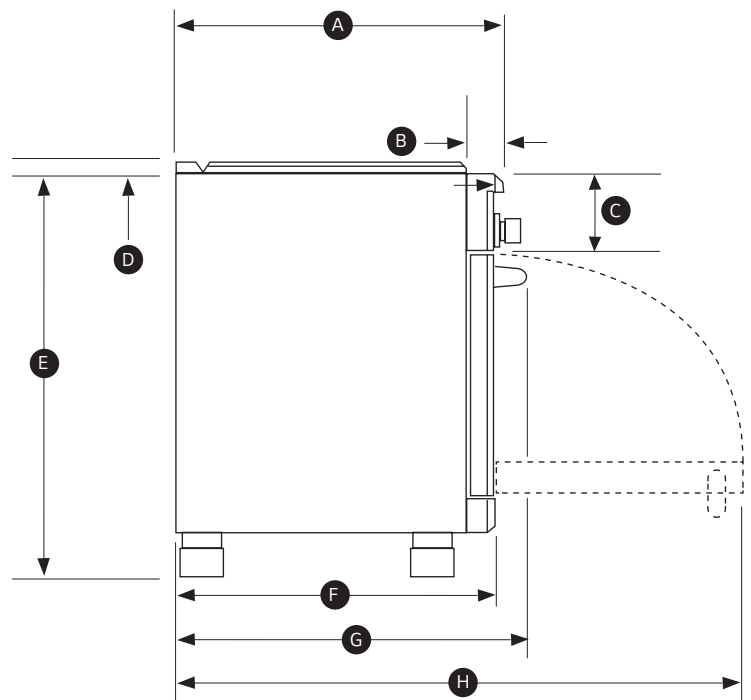
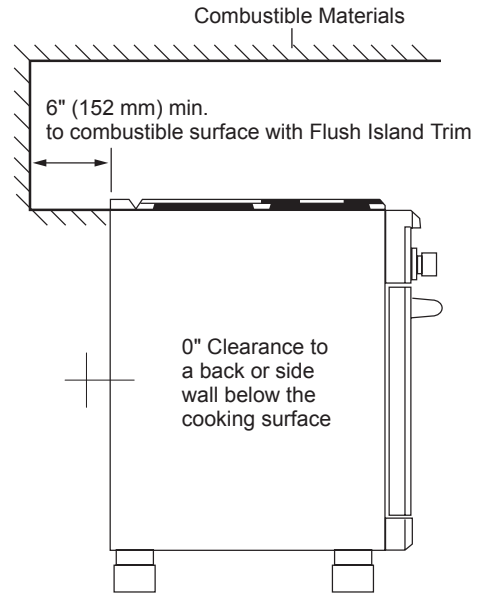
### PRODUCT DIMENSIONS



### Universal Utility Locations



### CLEARANCE



- A 27 15/16" (710mm) To Front Edge
- B 3 7/16" (87mm) Control Panel Depth
- C 7 9/16" (193mm) Control Panel Height
- D 1 7/16" (36mm)
- E 36" (914.4mm)
- F 26 3/4" (679mm) To Front of Door
- G 29" (740mm) To Front of Handle
- H 50" (1270mm) With Oven Door Open

### Ventilation Requirement

- It is recommended that these ranges be installed in conjunction with a suitable overhead vent hood.
  - Install a hood with at least 600 CFM above a 30" or 36" range.
- Due to the high heat capacity of this unit, particular attention should be paid to the hood and ductwork installation to assure it meets local building codes.

IMPORTANT