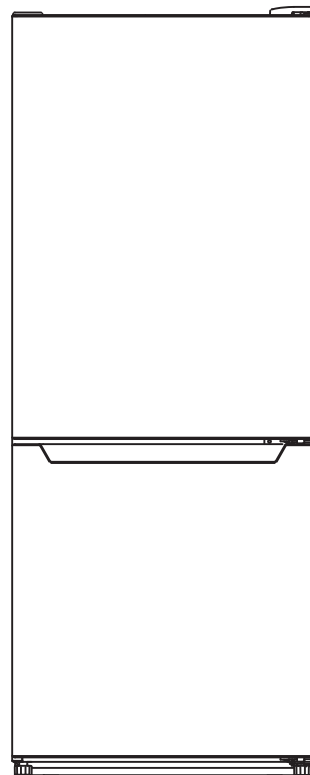


INSIGNIA™

9.2 Cu. Ft. Bottom-Mount Refrigerator

NS-RBM92BK9/NS-RBM92WH9/NS-RBM92WH9-C



Before using your new product, please read these instructions to prevent any damage.

Contents

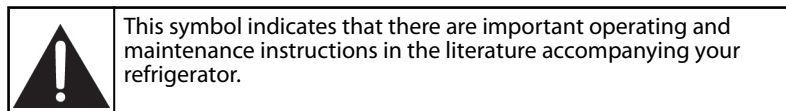
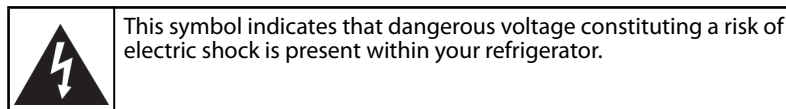
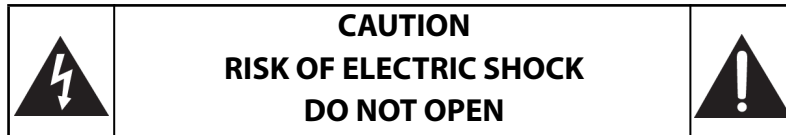
IMPORTANT SAFETY INSTRUCTIONS	3
Grounding requirement	4
Features	4
Package contents	4
Dimensions	5
Interior	6
Exterior	7
Setting up your refrigerator	7
Before using your refrigerator	7
Finding a suitable location	8
Providing the correct power source	9
Leveling your refrigerator	10
Reversing the doors	10
Using your refrigerator	14
Setting the refrigerator and freezer compartment temperatures	14
Cleaning your refrigerator	15
Removing the refrigerator compartment shelves	15
Removing the crisper	15
Removing the door racks	15
Removing the freezer basket	15
Defrosting the freezer compartment	15
Replacing the LED light	16
Storing your refrigerator	17
Moving your refrigerator	18
Tips on saving energy	18
Tips on storing food in the refrigerator compartment	18
Troubleshooting	20
Specifications	21
ONE-YEAR LIMITED WARRANTY	22

9.2 Cu. Ft. Bottom-Mount Refrigerator

Introduction

Congratulations on your purchase of a high-quality Insignia product. Your NS-RBM92BK9, NS-RBM92WH9 or NS-RBM92WH9-C represents the state of the art in bottom mount refrigerator design and is designed for reliable and trouble-free performance.

IMPORTANT SAFETY INSTRUCTIONS



WARNING

- 1 Read these instructions.
- 2 Keep these instructions.
- 3 Heed all warnings.
- 4 Follow all instructions.
- 5 Do not use your refrigerator near water.
- 6 Clean only with a damp cloth.
- 7 Do not block any ventilation openings. Install in accordance with the manufacturer's instructions.
- 8 Do not install near any heat sources, such as radiators, heat registers, stoves, or other apparatus (including amplifiers) that produce heat.
- 9 Do not defeat the safety purpose of the polarized or grounding-type plug. A polarized plug has two blades with one wider than the other. A grounding type plug has two blades and a third grounding prong. The wide blade or the third prong are provided for your safety. If the provided plug does not fit into your outlet, consult an electrician for replacement of the obsolete outlet.
- 10 Protect the power cord from being walked on or pinched, particularly at plugs, convenience receptacles, and the point where it exits from your refrigerator.
- 11 Do not attempt to modify or extend the power cord of your refrigerator.
- 12 Unplug your refrigerator during lightning storms or when it will not be used for long periods of time.
- 13 Make sure that the available AC power matches the voltage requirements of your refrigerator.
- 14 Do not handle the plug with wet hands. This could result in an electric shock.
- 15 Unplug the power cord by holding the plug, never by pulling the cord.
- 16 Turn off your refrigerator before unplugging it.
- 17 Refer all servicing to qualified service personnel. Servicing is required when your refrigerator has been damaged in any way, such as the power-supply cord or plug is damaged, liquid has been spilled or objects have fallen into your refrigerator, your refrigerator has been exposed to rain or moisture, does not operate normally, or has been dropped.
- 18 To reduce the risk of fire or electric shock, do not expose your refrigerator to rain, moisture, dripping, or splashing, and no objects filled with liquids should be placed on top of it.
- 19 Do not use extension cords or ungrounded (two prong) adapters. If the power cord is too short, have a qualified electrician install an outlet near your refrigerator. Use of an extension cord can negatively affect your refrigerator's performance.

- 20 Your refrigerator is not intended for use by persons (including children) with reduced physical, sensory, or mental capabilities, or lack of experience and knowledge, unless they have been given supervision or instruction concerning use of your refrigerator by a person responsible for their safety.
- 21 Children should be supervised to ensure that they do not play with your refrigerator.
- 22 If the power cord is damaged, it must be replaced by the manufacturer, its service agent, or similarly qualified person, in order to avoid a hazard.



WARNING

Electric Shock Hazard

Failure to follow these instructions can result in electric shock, fire, or death.

- 1 **WARNING**—Keep ventilation openings, in both your refrigerator and the built-in structure, clear of obstruction.
- 2 **WARNING**—Do not touch the interior of your refrigerator with wet hands. This could result in frostbite.
- 3 **WARNING**—Do not use mechanical devices or other means to accelerate the defrosting process, other than those recommended by the manufacturer.
- 4 **WARNING**—Do not damage the refrigerant circuit.
- 5 **WARNING**—Do not damage the refrigerant tubing when handling, moving, or using your refrigerator.
- 6 **WARNING—DANGER**—Never allow children to play with, operate, or crawl inside your refrigerator.
Risk of child entrapment. Before you throw away your old refrigerator:
 - Take off the door.
 - Leave the shelves in place so that children may not easily climb inside.
- 7 **WARNING**—Do not use electrical appliances inside the food storage compartments of the appliance unless they are of the type recommended by the manufacturer.
- 8 Unplug your refrigerator before carrying out user maintenance on it.
- 9 If a component part is damaged, it must be replaced by the manufacturer, its service agent, or similar qualified persons in order to avoid a hazard.
- 10 Follow local regulations regarding disposal of your refrigerator due to flammable refrigerant and gas. All refrigeration products contain refrigerants, which under the guidelines of federal law must be removed before disposal. It is the consumer's responsibility to comply with federal and local regulations when disposing of this product.
- 11 Your refrigerator is intended to be used in household and similar environments.
- 12 Do not store or use gasoline or any flammable liquids inside or in the vicinity of your refrigerator.



Grounding requirement

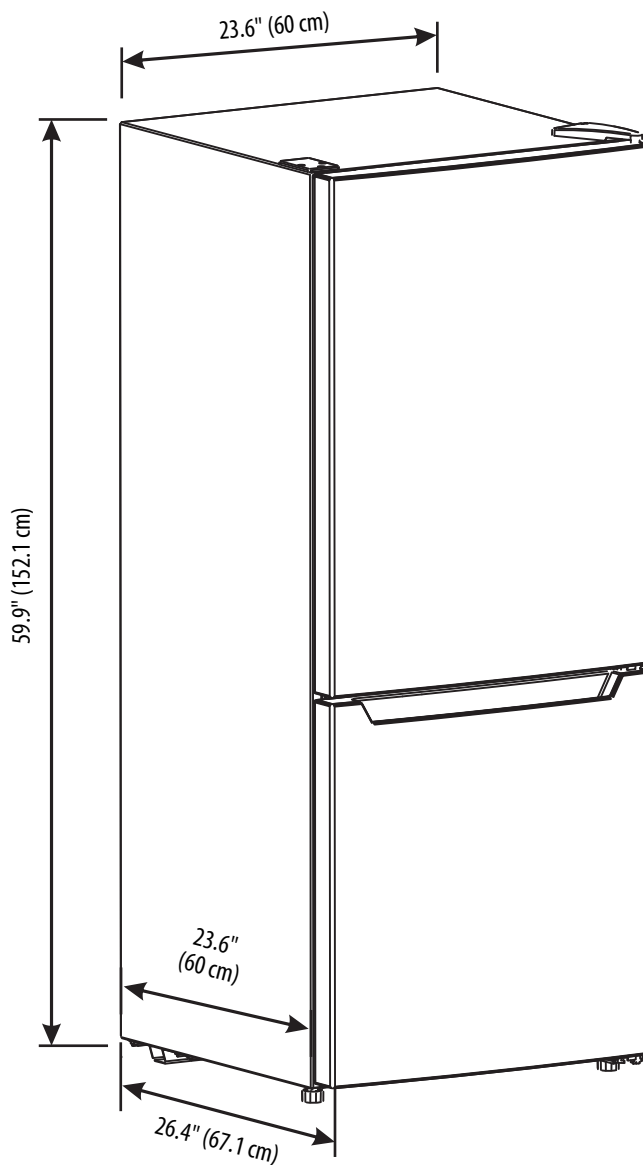
Your refrigerator must be grounded. Your refrigerator is equipped with a cord having a grounding wire with a grounding plug. The plug must be inserted into an outlet that is correctly installed and grounded. Incorrect use of the grounding plug can result in a risk of electric shock. Consult a qualified electrician or service person if the grounding instructions are not completely understood, or if doubt exists as to whether your refrigerator is correctly grounded.

Features

Package contents

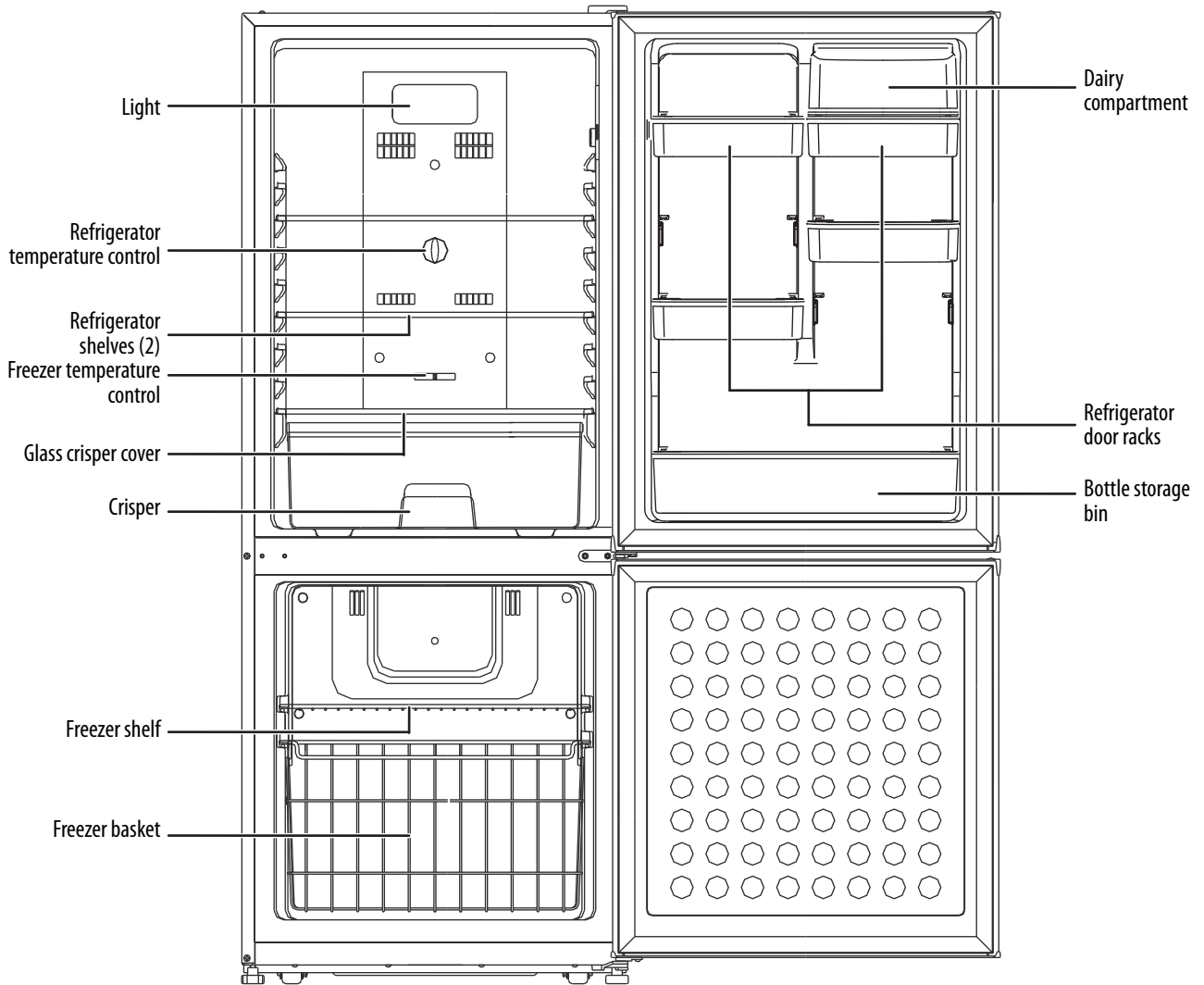
- 9.2 Cu. Ft. Bottom-Mount Refrigerator
- *User Guide* (inside your refrigerator)
- Door reversing parts

Dimensions

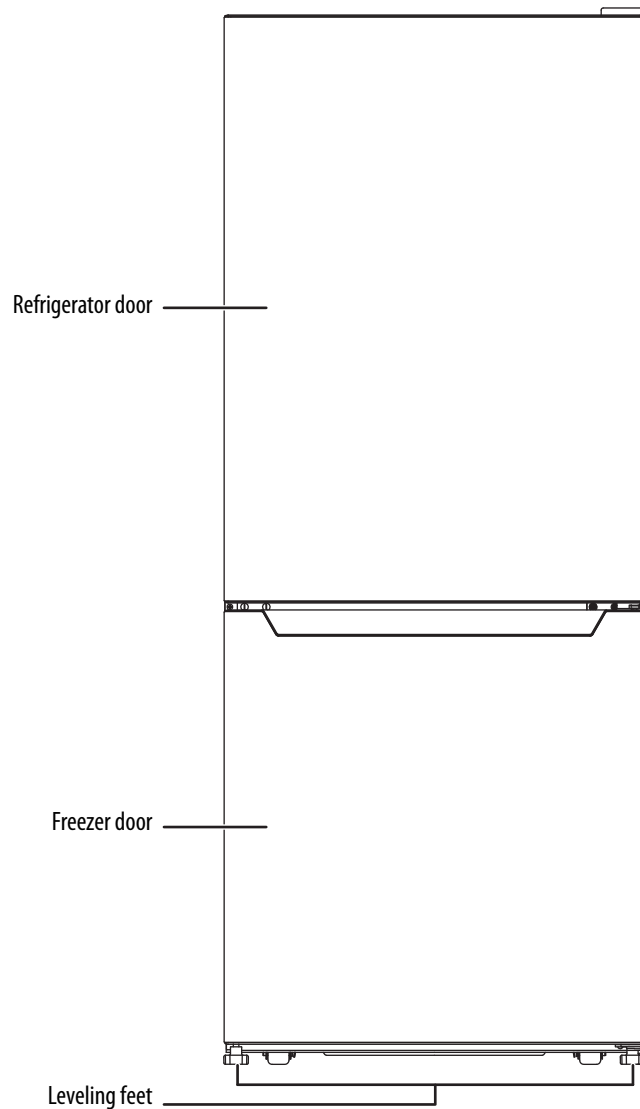


Interior

Note: The illustrations shown in this user guide are only for reference. The actual product may differ slightly.



Exterior



Setting up your refrigerator

Before using your refrigerator

- Remove the interior packing.
- Let your refrigerator stand upright for approximately four hours before connecting it to power. This reduces the possibility of a malfunction in the cooling system from incorrect handling during transportation.
- Wash the inside with a damp warm cloth soaked in a solution of one quart of lukewarm water to two tablespoons of baking soda. See [Cleaning your refrigerator](#) on page 15.
- Wait for approximately four hours after moving your refrigerator or plugging it in for the first time so that the coolant fluid settles.
- For correct operation, you should level your refrigerator using the leveling feet. If you do not level your refrigerator, the doors may not close or seal correctly, causing cooling, frost, and moisture problems. Turn the leveling feet clockwise to raise or counterclockwise to lower a side. The leveling feet are easier to adjust if you have someone push against the top of your refrigerator to take some weight off.
- When moving your refrigerator, do not tilt it beyond 45° from upright.
- Before storing foods in your refrigerator, turn on both the refrigerator and freezer compartments and wait for 24 hours, to make sure that they are working correctly and to allow both compartments to reach the correct temperatures.

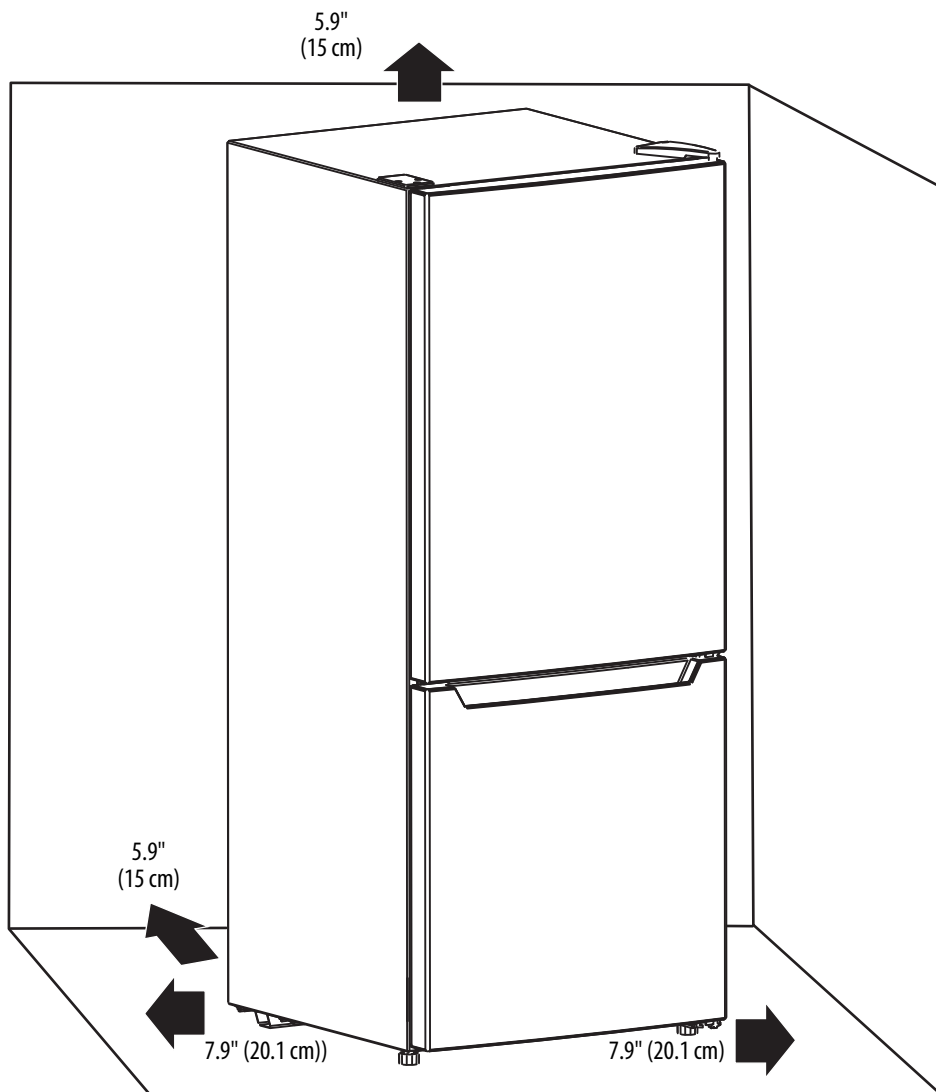
Finding a suitable location

- Place your refrigerator on a floor that is strong enough to support your refrigerator when it is fully loaded.
- Do not install your refrigerator on carpeting or a rug.
- Your refrigerator is designed to be free standing and should not be recessed or built-in.
- Do not install your refrigerator in a garage or any other outside installation.
- Adjust the feet to keep your refrigerator level.
- If you locate your refrigerator next to a fixed wall, allow sufficient space on the hinge side for the door to swing open.
- Position your refrigerator away from direct sunlight and sources of heat, such as a stove, heater, or radiator. Direct sunlight may affect the acrylic coating and heat sources may increase electrical consumption. Extremely cold temperatures may also prevent your refrigerator from performing correctly.
- Avoid locating your refrigerator in moist areas.

Your refrigerator is designed to operate in a temperature range of 50°F (10°C) and 109°F (43°C). If you operate your refrigerator outside this temperature range, your refrigerator may not work correctly.

Providing correct ventilation

Allow at least 7.9" (20.1 cm) between the left and right sides of your refrigerator and surrounding walls and at least 5.9" (15 cm) between the back and top of your refrigerator and the surrounding wall and ceiling.



Providing the correct power source

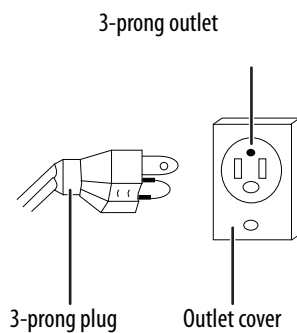
Check your power outlet. Your refrigerator requires a 110~115V, 60Hz power supply.

WARNINGS:

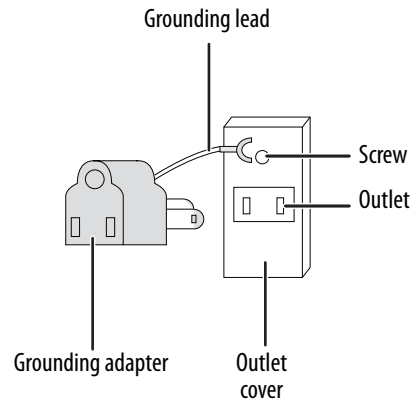
Make sure that:

- The power outlet accepts a 3-prong grounding plug. The third prong on the power cord plug grounds your refrigerator to minimize the possibility of electric shock. Do not modify the power plug.
- You DO NOT plug anything else into the same power outlet as your refrigerator. You may overload the circuit which can cause a fire.
- You DO NOT use an extension cord. If your refrigerator is too far from the power outlet, move your refrigerator or have an electrician install an outlet closer to your refrigerator.
- The power outlet cannot be turned off with a switch or pull string.

Using a 3-prong plug and outlet

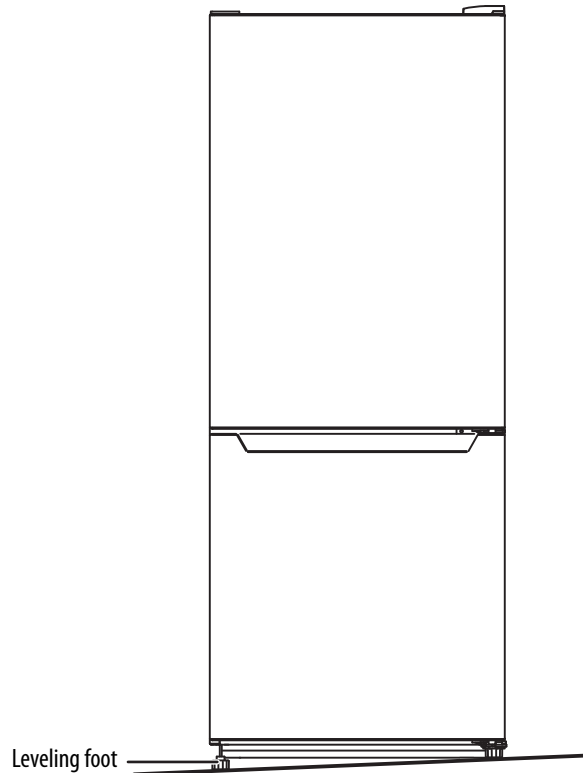


Using a grounding adapter



Leveling your refrigerator

Leveling your refrigerator is important. If you do not level your refrigerator during installation, the doors may not close or seal correctly which can cause cooling, frost, or moisture problems.



- Rotate the adjustable feet clockwise to raise or counter-clockwise to lower your refrigerator.

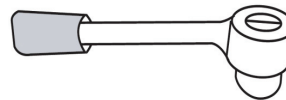
Note: To make it easier to adjust the feet, have someone tilt your refrigerator while you adjust the feet.

Reversing the doors

You need the following tools to reverse the refrigerator doors:



Phillips screwdriver

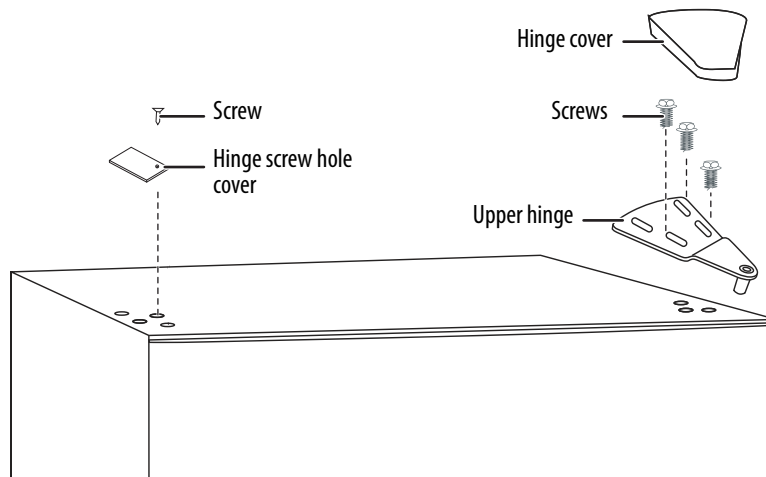


8mm wrench

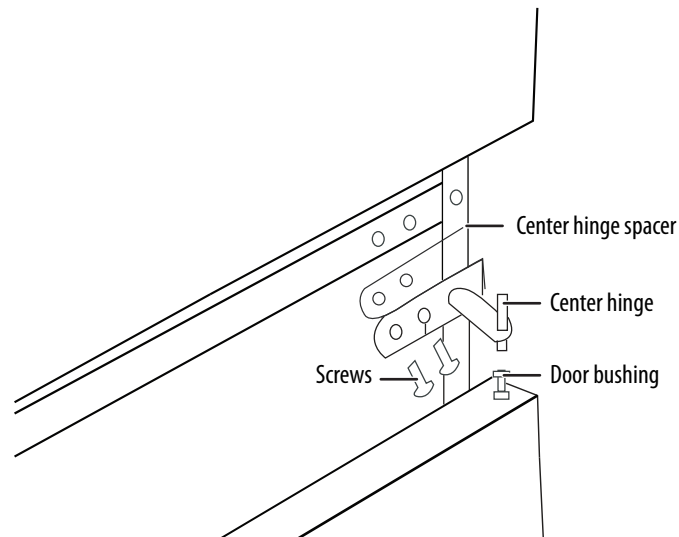
CAUTION: If you lay your refrigerator on its back or side for any length of time, wait for six hours after you stand it up again before you plug it in. Otherwise, you may damage internal components.

- 1 Make sure that your refrigerator is unplugged.
- 2 Pry the hinge cover up and off, remove the three screws that secure the upper hinge to the door, then remove the hinge.
- 3 Remove the screw that secures the hinge screw hole cover from the top left side of the cabinet, then remove the cover.

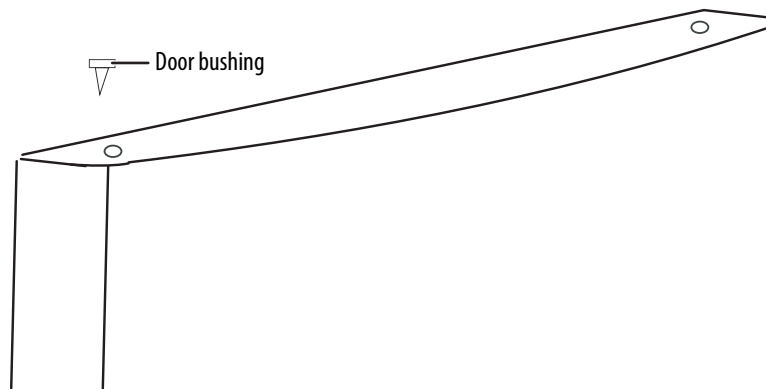
- 4 Remove the refrigerator compartment door from the cabinet.



- 5 Remove the two screws that secure the center hinge, then remove the center hinge and the center hinge spacer.
6 Remove the freezer compartment door.



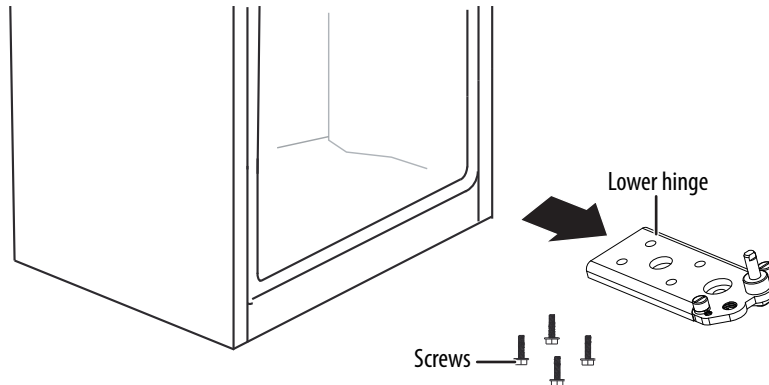
- 7 Move the door bushing from the top right side of the freezer door to the top left side of the door.



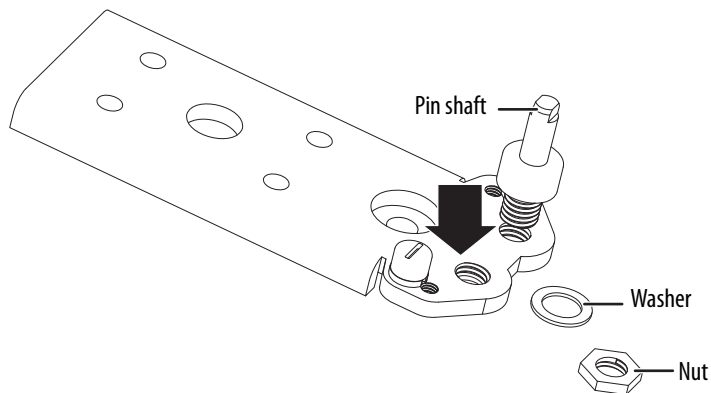
- 8** Remove the screw that secures the door stops from the bottom of the freezer door, then remove the door stops.



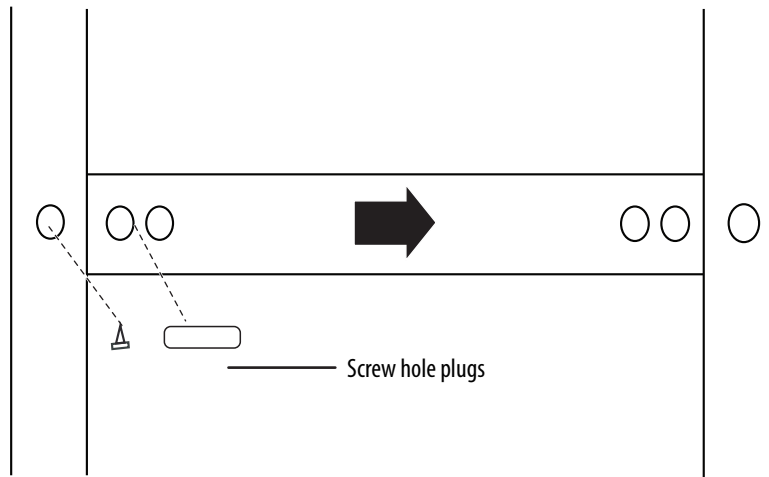
- 9** Remove the four screws that secure the lower hinge to the right side of the cabinet, then remove the hinge.
10 Install the lower hinge on the left side of the cabinet.



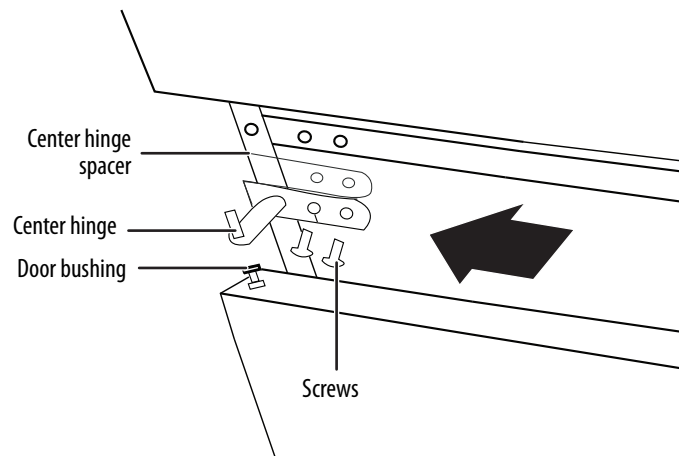
- 11** Remove the washer and nut that secure the pin shaft to the right hole on the lower hinge, then remove the shaft.
12 Insert the pin shaft into the left hole on the lower hinge, then secure the shaft with the washer and nut.



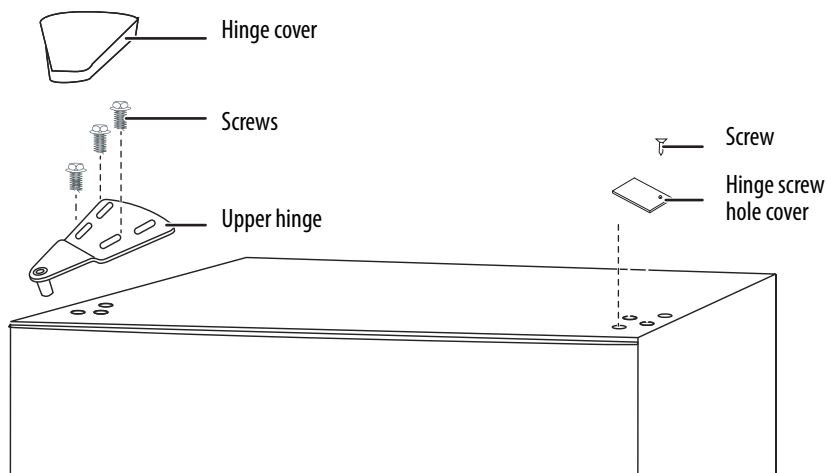
- 13** Remove the center hinge screw hole plugs on the left side of the cabinet, then install the plugs in the screw holes on the right side of the cabinet.



- 14** Install the freezer compartment door, then secure the center hinge with the two screws you removed previously. Make sure that the center hinge spacer is installed with the hinge. The spacer provides the full range of motion for the door.
- 15** Remove the door stop from the bottom right side of the refrigerator compartment door, then install it to the bottom left side of the refrigerator compartment door.



- 16** Install the refrigerator compartment door, then secure the upper hinge to the top left side of the cabinet with the three screws you removed previously. Before you tighten the upper hinge screws, make sure that the top of the door is level with the cabinet and that the rubber gasket makes a good seal.
- 17** Install the hinge cover over the hinge on the top left side of the cabinet.
- 18** Install the hinge screw hole cover on the top right side of the cabinet.



Using your refrigerator

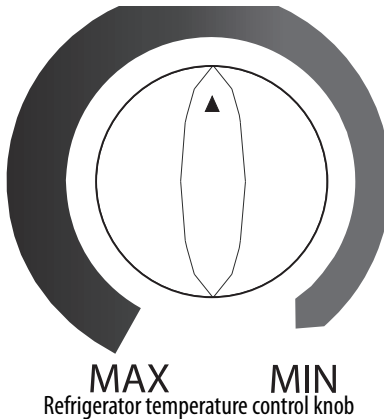
Setting the refrigerator and freezer compartment temperatures

Your refrigerator has separate temperature controls for the refrigerator and freezer compartments. The controls are at the back of the refrigerator compartment.

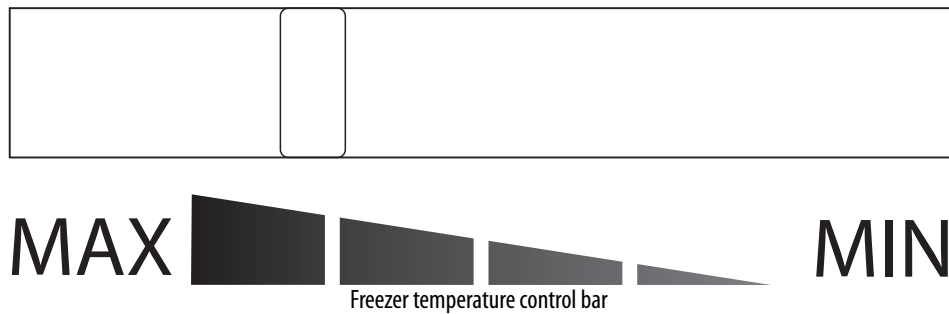
Before storing foods in your refrigerator, turn on both the refrigerator and freezer compartments and wait for 24 hours to make sure that they are working correctly and to let both compartments reach the correct temperatures.

After 24 hours, adjust the temperature controls to the settings that best suit your needs. Setting the refrigerator to **MAX** and the freezer to **MIN** should be correct for home or office refrigerator use.

To adjust the refrigerator temperature, turn the control knob.



To adjust the freezer temperature, slide the control bar.



Cleaning your refrigerator

CAUTIONS:

To prevent damage to the finish:

- Do not use gasoline, benzine, thinner, or other similar solvents.
- Do not use abrasive cleaners.
- Do not use sharp objects because they are likely to scratch the surface.

We recommend that you do the following every time you clean your refrigerator to keep it running odor-free and efficiently:

- 1 Unplug your refrigerator from the power outlet.
- 2 Remove all food.
- 3 If you want to remove the refrigerator compartment door racks, shelves, or crisper drawer, or freezer basket, see:
 - [Removing the refrigerator compartment shelves](#) on page 15
 - [Removing the crisper](#) on page 15
 - [Removing the door racks](#) on page 15
 - [Removing the freezer basket](#) on page 15
- 4 Clean the doors, handles, and cabinet surfaces with a mild detergent, then rinse with warm water using a wrung-out sponge or cloth.
- 5 Wash the inside with a damp warm cloth soaked in a solution of one quart of lukewarm water to two tablespoons of baking soda solution, then rinse with warm water using a wrung-out sponge or cloth.
- 6 Clean the baskets, shelves, and drawers with a mild detergent and soft cloth, then rinse with warm water.
- 7 Make sure that you keep the door gaskets (seals) clean so that the door seals tightly. This helps your refrigerator run efficiently.

CAUTION: Make sure that the door gaskets are completely dry before you plug your refrigerator into the power outlet.

- 8 Dry all surfaces and removable parts before putting them back into place.
- 9 Plug your refrigerator into the power outlet.

Removing the refrigerator compartment shelves

- 1 Open the refrigerator compartment door as far as it will go.
- 2 Lift the shelves up, then pull them out.
- 3 To replace the shelves, slide them into the compartment, then lower them into position.

Removing the crisper

- 1 Open the refrigerator compartment door as far as it will go.
- 2 Lift the crisper basket with its glass cover up, then pull the crisper out.
- 3 To replace the crisper, slide it into the compartment, then lower it into position.

Removing the door racks

- 1 Hold a door rack with one hand, then use the other hand to tap the bottom of the rack up several inches.
- 2 Remove the rack from the door.
- 3 To replace the rack, align the rack in the door, then press down to lock the rack in place.

Removing the freezer basket

Lift the freezer basket up and out of the freezer compartment.

Defrosting the freezer compartment

WARNING: Do not use electrical appliances such as hair dryers or heaters to defrost your refrigerator.

Tip: To avoid standing water when you defrost, place some towels on the floor in front of your refrigerator.

Although the freezer compartment automatically defrosts, a layer of frost may occur on the compartment's interior walls if the freezer is opened frequently or kept open too long. If the frost is too thick, choose a time when the freezer is nearly empty, then:

- 1 Unplug your refrigerator.
- 2 Remove all food from the freezer compartment, and place the food into containers that will prevent it from melting.
- 3 Leave the freezer compartment open.

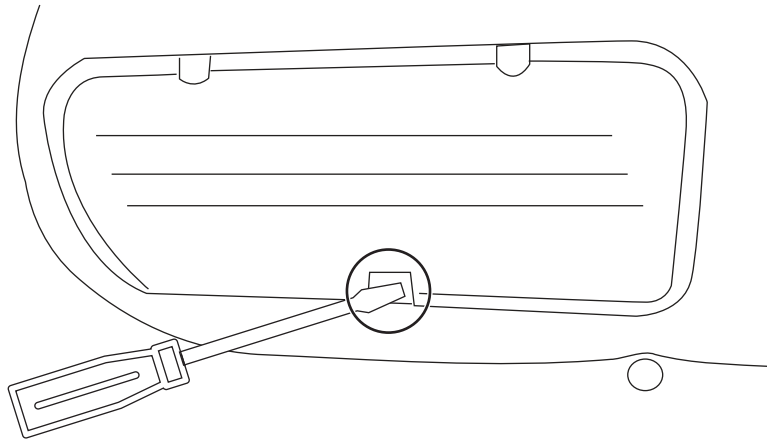
- 4 To speed the defrosting, you can:
 - Place open containers with hot water inside the freezer compartment.
 - Use a plastic or wooden ice shovel (like a spatula) to remove thick layers of ice or frost. Do not use a sharp utensil (like a knife) because you may damage the freezer compartment.
- 5 When you finish defrosting, wipe the inside with a dry towel. If you need to clean the compartment, see [Cleaning your refrigerator](#) on page 15.
- 6 Close the freezer compartment, plug your refrigerator into the power outlet, then put the food back into the freezer compartment.

Replacing the LED light

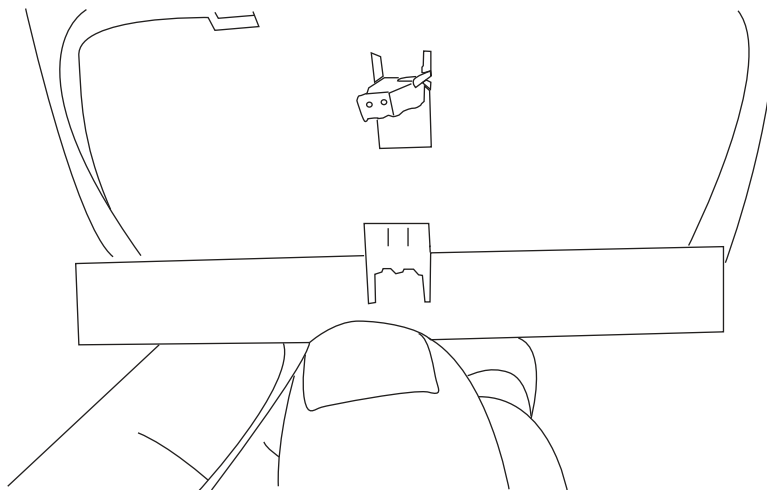
Make sure that the replacement LED light strip is a 110 × 12 × 12mm, 12V light strip with a JST(XH) terminal.

- 1 Unplug your refrigerator.
- 2 Insert a flat-blade screwdriver into the gap in the bottom of the light cover, then carefully pry the cover away from the housing. Pull the cover down and remove it.

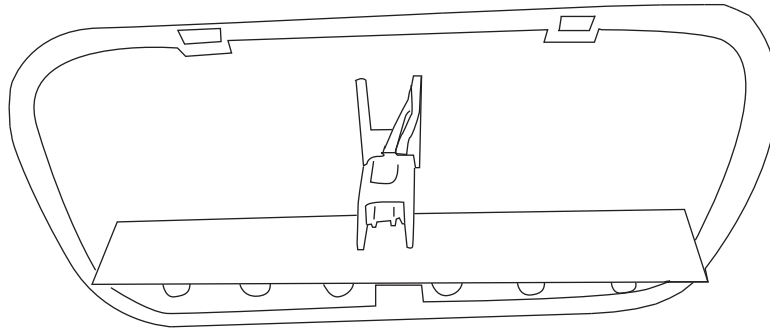
CAUTION: Make sure that you do not break the two tabs on the top of the cover as you remove the cover.



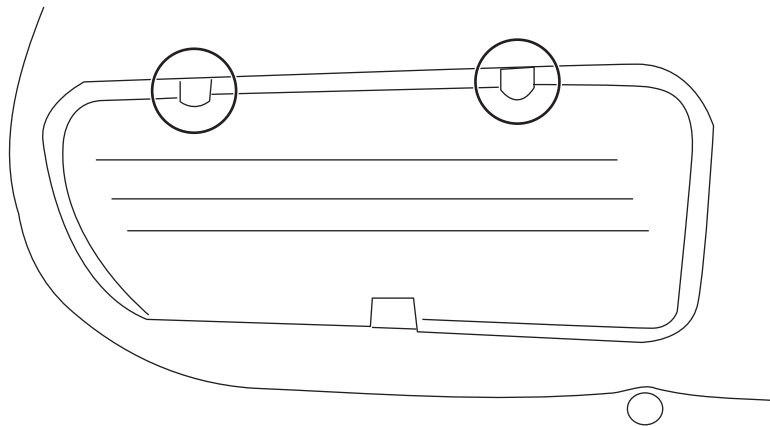
- 3 Gently pull the LED light strip down to unplug it from the connector.



- 4 Plug the new light strip into the connector, then tuck the strip into the housing.



- 5 Insert the two tabs on the top of the cover into the slots on the top of the housing, then press in on the bottom tab until it clicks into place.



Storing your refrigerator

- 1 Unplug your refrigerator from the power outlet.
- 2 Remove all food.
- 3 Clean your refrigerator.
- 4 Take off the doors, and leave the shelves in place so that children cannot easily fit inside.

WARNING: If a door accidentally closes while a child is inside your refrigerator, the child may suffocate.

Moving your refrigerator

- 1 Unplug your refrigerator from the power outlet.
- 2 Remove all food.
- 3 Securely tape down all loose items inside your refrigerator.
- 4 Tape the door shut.
- 5 Make sure that your refrigerator does not tilt more than 45° from the upright position during transportation.

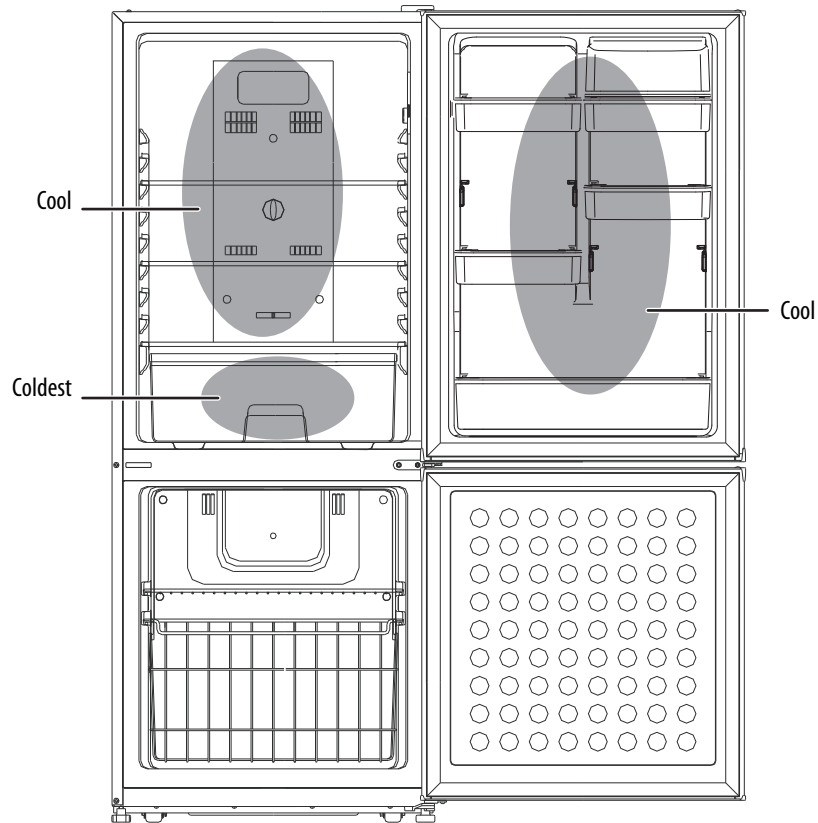
Tips on saving energy

- Locate your refrigerator in the coolest area of the room, away from heat producing appliances or heating ducts and out of direct sunlight.
- Let hot foods cool to room temperature before placing them in your refrigerator. Overloading your refrigerator forces the compressor to run longer. Foods that freeze too slowly may lose quality or spoil.
- Wrap foods correctly and wipe containers dry before placing them in your refrigerator. This cuts down on frost build-up.
- Do not line the refrigerator storage shelves with aluminum foil, wax paper, or paper toweling. Liners interfere with cold air circulation and make your refrigerator less efficient.
- Organize and label food to reduce door openings and extended searches. Remove as many items as needed at one time, and close the door as soon as possible.

Tips on storing food in the refrigerator compartment

- Always store cooked meats on a shelf above raw meats to avoid bacterial transfer. Keep raw meat on a plate which is large enough to collect juices, and cover the plate with cling film or foil. Leave space around food. This allows cold air to circulate around your refrigerator so that all parts of your refrigerator are kept cool.
- To prevent transfer of flavors and food drying out, wrap or cover each food item separately. Fruit and vegetables need not be wrapped.
- Let hot food cool down before placing it in your refrigerator. This helps stop the internal temperature in your refrigerator from rising.
- To prevent cold air from escaping, try to limit the number of times you open the doors. When returning from shopping, sort foods to be kept in your refrigerator before opening the doors. Only open the door to put food in or take it out.

Where to store food in your refrigerator



Cool areas—Store foods which keep longer if they are kept cool, for example:

- Dairy products like eggs, milk, and yogurt
- Fruit juices
- Hard cheeses like cheddar
- Opened jars and bottles like salad dressings, sauces, and jams
- Butter or margarine
- Low-fat spreads
- Cooking fats and lard

Coldest area—Store foods which must be cold to keep them safe, for example:

- Raw and uncooked foods which should always be wrapped
- Pre-cooked chilled foods like ready meals, meat pies, and soft cheeses
- Pre-cooked meats like ham
- Prepared salads like pre-packed mixed green salads, rice salads, and potato salads
- Desserts like pies and cheesecakes.
- Home-prepared food and leftovers

Crisper—Store foods that need to stay moist, for example:

- Vegetables
- Fruit
- Fresh salad items like unwashed whole lettuce, whole tomatoes, and radishes

Notes:

- We recommend that you wrap all produce stored in the crisper.
- Always wrap and store raw meat, poultry, and fish on the lowest shelf at the bottom of the refrigerator compartment. This helps keep them from dripping onto, or touching, other foods.
- Do not store inflammable gases or liquids in the fridge.

Troubleshooting

CAUTION: Do not try to repair your refrigerator yourself. Doing so invalidates the warranty.

PROBLEM	SOLUTION
My refrigerator does not work.	<ul style="list-style-type: none"> • Make sure that your refrigerator is securely plugged into a working outlet. • Make sure that your power source has the correct voltage. Your refrigerator's voltage rating is on a label on the back of your refrigerator. • Check the house fuse or circuit breaker box and replace the fuse or reset the circuit breaker.
The refrigerator compartment has a bad odor.	<ul style="list-style-type: none"> • Make sure that all food with a strong odor (like onions) is wrapped or stored in airtight packaging. • Certain containers and wrapping materials (such as paper, foil, or plastic) can cause odors. If you think this might be the case, try using different containers or a different brand of wrapping material. • Check for spoiled food and remove it. • Clean the inside of your refrigerator. See Cleaning your refrigerator on page 15.
The refrigerator doors do not close completely.	<ul style="list-style-type: none"> • Make sure that no food packages are in the way. • Make sure that the door gaskets (seals) are clean. See Cleaning your refrigerator on page 15. • Cold temperatures can make the seal brittle or stiff. If the door gasket does not seal, try heating then cooling the seal. You can use an electric hair dryer to heat the seal. DO NOT use a hair dryer to defrost the freezer compartment. • Make sure that your refrigerator is level. See Leveling your refrigerator on page 10.
The temperature is too hot.	<ul style="list-style-type: none"> • You may have left the doors open too long or opened them too frequently. • Make sure that no obstacle is keeping the doors from closing correctly. • Adjust the refrigerator or freezer compartment temperature. See Setting the refrigerator and freezer compartment temperatures on page 14. • Your refrigerator may not have enough clearance from walls or the ceiling. See Providing correct ventilation on page 8. • Lower the temperature. If you do not hear a humming noise, your refrigerator is not working. Contact a authorized repair technician.
The temperature is too cold.	<ul style="list-style-type: none"> • Adjust the refrigerator or freezer compartment temperature. See Setting the refrigerator and freezer compartment temperatures on page 14.
A layer of frost occurs in one of the compartments.	<ul style="list-style-type: none"> • A layer of frost may occur on the compartment's interior walls if the freezer is opened frequently or kept open too long. • Make sure that the air outlets are not blocked by food. • Make sure that the doors are fully closed. <p>To remove the frost, see Defrosting the freezer compartment on page 15.</p>
The refrigerator door is hard to open.	<ul style="list-style-type: none"> • When you open the refrigerator door, warm air rushes inside. When you close the door, the warm air rushes to the condenser which causes a vacuum. This causes the door to be hard to open for about 10 to 15 seconds after closing. • If the door is hard to open at other times, try rubbing paraffin wax or petroleum jelly along the edges of the entire gasket. Paraffin wax is used for canning and is safe for use around food.
The compressor runs for a long time or turns on and off frequently.	<p>The compressor runs longer if:</p> <ul style="list-style-type: none"> • The room temperature is high. • You just added a large amount of food. Wait for the food to freeze, then check again. • You open and close the door frequently. • The door gasket is dirty. Clean the gasket. See Cleaning your refrigerator on page 15. • Your refrigerator has been disconnected for a period of time. Wait for your refrigerator to cool (about four hours) before adding food. • You have the temperature set too low.
The light inside the refrigerator does not turn on.	<ul style="list-style-type: none"> • Make sure that your refrigerator is plugged into a working outlet. • If a door stays open too long, your refrigerator automatically turns off the light. Close then open the door again. • Check to see if the light is damaged. If the light is damaged, have it replaced by a qualified service technician. See Replacing the LED light on page 16.

PROBLEM	SOLUTION
The refrigerator makes unusual noises or vibrations.	<p>The following sounds are normal:</p> <ul style="list-style-type: none"> Compressor running noises. Air movement noise from the small fan motor in the freezer compartment or other compartments. Gurgling sound similar to water bubbling. Popping noise during automatic defrosting. Clicking noise before the compressor starts. Motor running noises when you get ice. <p>Other unusual noises or vibrations may occur:</p> <ul style="list-style-type: none"> If you have items on the top of your refrigerator. Remove the items. If your refrigerator is not level. See Leveling your refrigerator on page 10. If your refrigerator is touching walls. Move it away from the walls. If the shelves or drawers are installed incorrectly.
The outside of the refrigerator is hot.	<p>Heat dissipation from the condenser may make the outside feel hot. This is normal and happens if:</p> <ul style="list-style-type: none"> The room temperature is high. You have too much food in your refrigerator. You open and close the doors excessively.
Water condenses on the outside of the refrigerator.	<ul style="list-style-type: none"> Condensation on the exterior surface and door seal is normal when the room humidity is high. When you open the door, warm, moist outside air meets the cold dry air inside your refrigerator. This is normal.

Specifications

General

Exterior dimensions (W × D × H)	23.6 × 26.4 × 59.9 in. (60 × 67.1 × 152.1 cm)
Refrigerator compartment dimensions (W × D × H)	20 × 20 × 30 in. (50.9 × 50.7 × 76.1 cm)
Freezer compartment dimensions (W × D × H)	18.2 × 12.9 × 20.6 in. (46.3 × 32.8 × 52.4 cm)
Shelves (W × D)	19.4 × 14.3 in. (49.3 × 36.4 cm)
Fruit and vegetable crisper (W × D × H)	18 × 12.8 × 6.7 in. (45.7 × 32.4 × 17 cm)
Weight	Gross Weight: 136 lbs. (61.6kg) Net Weight: 125 lbs. (56.6kg)
Power requirements	115V ~ 60Hz
Power cord length	5.9 ft.(1.8 m)

ONE-YEAR LIMITED WARRANTY

Definitions:

The Distributor* of Insignia branded products warrants to you, the original purchaser of this new Insignia-branded product ("Product"), that the Product shall be free of defects in the original manufacture of the material or workmanship for a period of one (1) year from the date of your purchase of the Product ("Warranty Period").

For this warranty to apply, your Product must be purchased in the United States or Canada from a Best Buy branded retail store or online at www.bestbuy.com or www.bestbuy.ca, and is packaged with this warranty statement.

How long does the coverage last?

The Warranty Period lasts for 1 year (365 days) from the date you purchased the Product. Your purchase date is printed on the receipt you received with the Product.

What does this warranty cover?

During the Warranty Period, if the original manufacture of the material or workmanship of the Product is determined to be defective by an authorized Insignia repair center or store personnel, Insignia will (at its sole option): (1) repair the Product with new or rebuilt parts; or (2) replace the Product at no charge with new or rebuilt comparable products or parts. Products and parts replaced under this warranty become the property of Insignia and are not returned to you. If service of Products or parts are required after the Warranty Period expires, you must pay all labor and parts charges. This warranty lasts as long as you own your Insignia Product during the Warranty Period. Warranty coverage terminates if you sell or otherwise transfer the Product.

How to obtain warranty service?

If you purchased the Product at a Best Buy retail store location, please take your original receipt and the Product to any Best Buy store. Make sure that you place the Product in its original packaging or packaging that provides the same amount of protection as the original packaging. If you purchased the Product from a Best Buy online web site (www.bestbuy.com or www.bestbuy.ca), mail your original receipt and the Product to the address listed on the web site. Make sure that you put the Product in its original packaging or packaging that provides the same amount of protection as the original packaging.

To obtain warranty service, in the United States call 1-888-BESTBUY, Canada call 1-866-BESTBUY. Call agents may diagnose and correct the issue over the phone.

Where is the warranty valid?

This warranty is valid only in the United States and Canada at Best Buy branded retail stores or websites to the original purchaser of the product in the county where the original purchase was made.

What does the warranty not cover?

This warranty does not cover:

- Food loss/spoilage due to failure of refrigerator or freezer
- Customer instruction/education
- Installation
- Set up adjustments
- Cosmetic damage
- Damage due to weather, lightning, and other acts of God, such as power surges
- Accidental damage
- Misuse
- Abuse
- Negligence
- Commercial purposes/use, including but not limited to use in a place of business or in communal areas of a multiple dwelling condominium or apartment complex, or otherwise used in a place of other than a private home.
- Modification of any part of the Product, including the antenna
- Display panel damaged by static (non-moving) images applied for lengthy periods (burn-in).
- Damage due to incorrect operation or maintenance
- Connection to an incorrect voltage or power supply
- Attempted repair by any person not authorized by Insignia to service the Product
- Products sold "as is" or "with all faults"
- Consumables, including but not limited to batteries (i.e. AA, AAA, C etc.)
- Products where the factory applied serial number has been altered or removed
- Loss or Theft of this product or any part of the product
- Display panels containing up to three (3) pixel failures (dots that are dark or incorrectly illuminated) grouped in an area smaller than one tenth (1/10) of the display size or up to five (5) pixel failures throughout the display. (Pixel based displays may contain a limited number of pixels that may not function normally.)
- Failures or Damage caused by any contact including but not limited to liquids, gels or pastes.

REPAIR REPLACEMENT AS PROVIDED UNDER THIS WARRANTY IS YOUR EXCLUSIVE REMEDY FOR BREACH OF WARRANTY. INSIGNIA SHALL NOT BE LIABLE FOR ANY INCIDENTAL OR CONSEQUENTIAL DAMAGES FOR THE BREACH OF ANY EXPRESS OR IMPLIED WARRANTY ON THIS PRODUCT, INCLUDING, BUT NOT LIMITED TO, LOST DATA, LOSS OF USE OF YOUR PRODUCT, LOST BUSINESS OR LOST PROFITS. INSIGNIA PRODUCTS MAKES NO OTHER EXPRESS WARRANTIES WITH RESPECT TO THE PRODUCT, ALL EXPRESS AND IMPLIED WARRANTIES FOR THE PRODUCT, INCLUDING, BUT NOT LIMITED TO, ANY IMPLIED WARRANTIES OF AND CONDITIONS OF MERCHANTABILITY AND FITNESS FOR A PARTICULAR PURPOSE, ARE LIMITED IN DURATION TO THE WARRANTY PERIOD SET FORTH ABOVE AND NO WARRANTIES, WHETHER EXPRESS OR IMPLIED, WILL APPLY AFTER THE WARRANTY PERIOD. SOME STATES, PROVINCES AND JURISDICTIONS DO NOT ALLOW LIMITATIONS ON HOW LONG AN IMPLIED WARRANTY LASTS, SO THE ABOVE LIMITATION MAY NOT APPLY TO YOU. THIS WARRANTY GIVES YOU SPECIFIC LEGAL RIGHTS, AND YOU MAY ALSO HAVE OTHER RIGHTS, WHICH VARY FROM STATE TO STATE OR PROVINCE TO PROVINCE.

Contact Insignia:

For customer service please call 1-877-467-4289

www.insigniaproducts.com

INSIGNIA is a trademark of Best Buy and its affiliated companies.

Distributed by Best Buy Purchasing, LLC

7601 Penn Ave South, Richfield, MN 55423 U.S.A.

©2018 Best Buy. All rights reserved.

Made in China

INSIGNIA™

For product inquiries, please contact us with the information below:

1-877-467-4289

www.insigniaproducts.com

INSIGNIA is a trademark of Best Buy and its affiliated companies.

Distributed by Best Buy Purchasing, LLC

7601 Penn Ave South, Richfield, MN 55423 U.S.A.

©2018 Best Buy. All rights reserved.

Made in China

V5 ENGLISH
18-0620