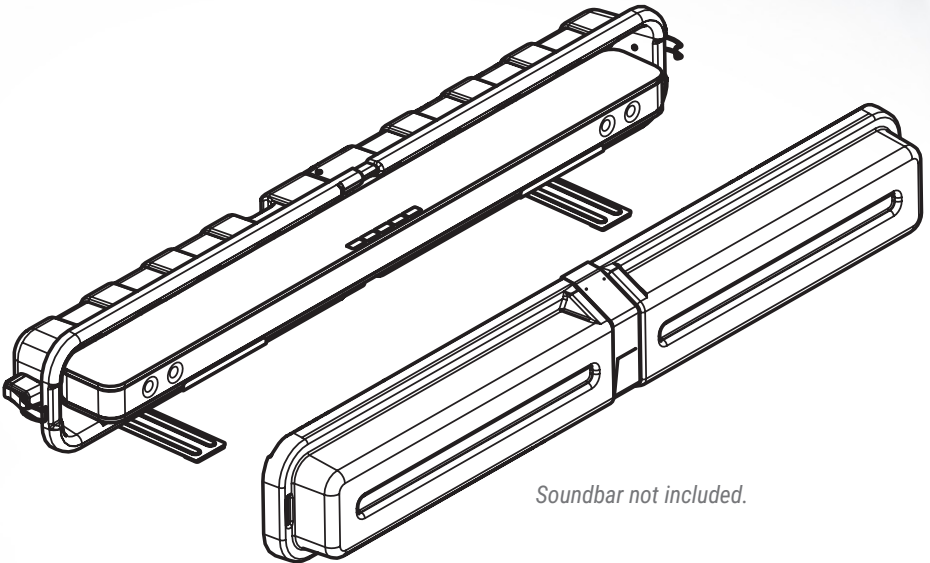




STORM SHELL

Soundbar Cover

Assembly & installation instructions



Soundbar not included.

SS-SB | A-SB

Compatible with most 44 in soundbars

V3.1

Table of contents:

Safety guidelines	page 3
Getting started	page 4
Supplied parts & hardware	page 7
Assembly and installation	page 9



Safety guidelines

Please read and understand this entire manual before attempting to assemble or operate the product. If the directions are not followed personal injury or property damage may occur.

Keep these installation instructions in an easily accessible location for future reference.

CAUTION

- The maximum soundbar load capacity is 20 lbs. Exceeding the maximum load capacity may cause serious injury.
- The wall structure must be capable of supporting at least five times the maximum load capacity. If not, the wall must be reinforced.
- DO NOT mount on drywall or plywood alone.
- DO NOT install on a structure prone to vibration, movement, or impact. Failure to follow this guideline may result in damage to the display or mounting surface.
- DO NOT install the Storm Shell Enclosure near a heater, fireplace, air conditioning unit, or any other heat-producing source. Failure to follow this instruction may cause damage to the display and/or hard cover and could increase the risk of fire.
- Proper assembly, as outlined in the installation instructions, must be performed by yourself or a qualified service technician. Failure to comply may result in serious personal injury.
- It is advised that two people perform the installation. Dropping or mishandling the display or hard cover may result in injury and/or damage.
- Make sure no water or natural gas lines are present where the mount is to be installed. Cutting or drilling into water or natural gas lines could cause personal injury or property damage.
- If you do not understand these installation instructions, please consult a professional installation specialist.



WARNING:

This kit contains small parts which can act as a choking hazard if swallowed.

Getting started

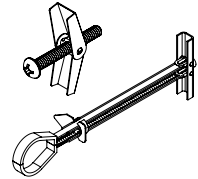
MAKE SURE THIS STORM SHELL WILL WORK FOR YOU!

Included hardware supports installation on:

- Drywall over wood studs
- Solid concrete, structural brick, or masonry (minimum 8 inch thick)
- Outdoor siding (aluminum, vinyl, stucco, brick veneer, etc.) installed over wood studs.

For the following materials, use toggle bolts (1/4" or 5/16") available at your local hardware store:

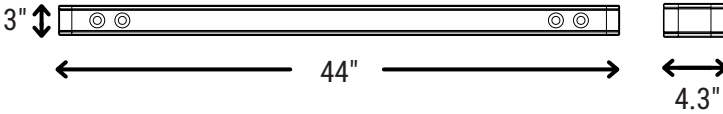
- Drywall over metal studs
- C90 hollow concrete block
- Structural brick or masonry (less than 8 inch thick)



SOUNDBAR COMPATIBILITY

MAX soundbar dimensions:

44"L x 3"H x 4.3"D

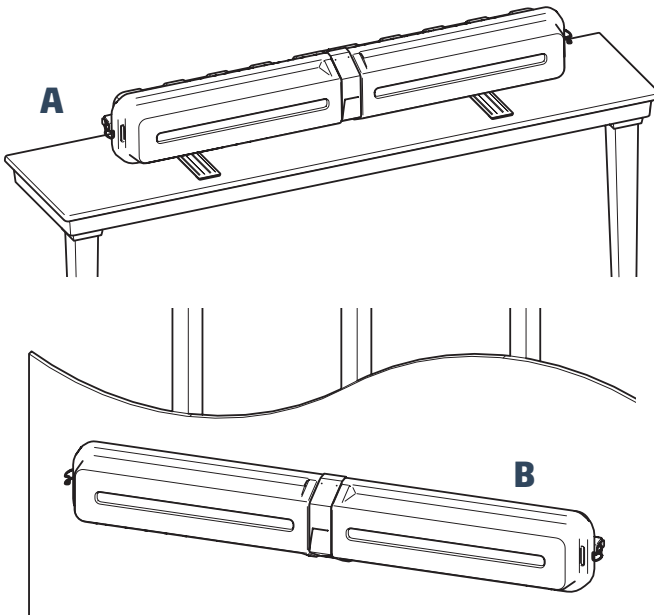


WEIGHT CAPACITY

Maximum soundbar weight (including accessories): 20 LBS max

MOUNTING STYLE

The Storm Shell Soundbar Cover can be mounted as either (A) on a flat surface with included feet, or (B) wall mounted.

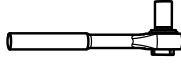


ASSEMBLY TOOLS (NOT INCLUDED)

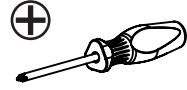
All installations



Measuring tape



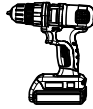
Socket wrench



Phillips screwdriver



Level



Power drill



Pencil or pen

Wood stud installation



Wood drill bits:
5/32" (4mm)

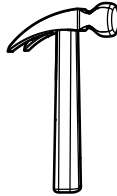


Stud finder

Solid concrete, brick, & masonry installation



Crescent wrench



Hammer



Masonry drill bits:
5/16" (8mm)

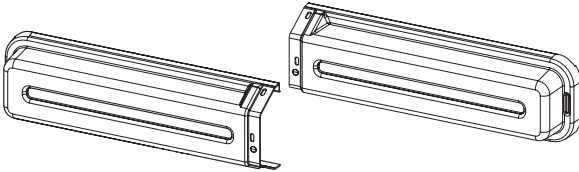


Hammer drill

Parts & hardware

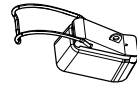
Soundbar not included.

Note: If you are missing any parts, contact us at cs@stormshelltv.com.

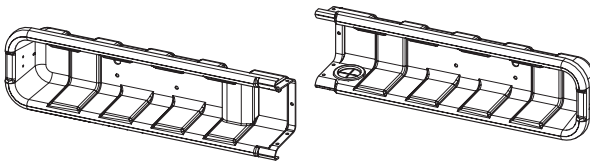


Storm Shell front left
Qty. 1

Storm Shell front right
Qty.1

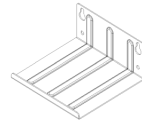


Buckle latch
Qty.2

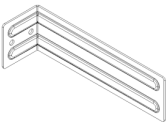


Storm Shell back left
Qty.1

Storm Shell back right
Qty.1



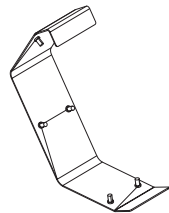
Soundbar
mounting bracket
Qty.2



Foot bottom bracket
Qty.2



Foot top bracket
Qty.2



Middle connecting
plate
Qty.1

STORM SHELL ASSEMBLY HARDWARE



M6x15mm
Qty. 10



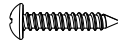
M6 flange nut
Qty. 10



M4x12mm
Qty. 5



M4 flange nut
Qty. 5



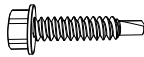
ST3.5x20mm
Qty. 6



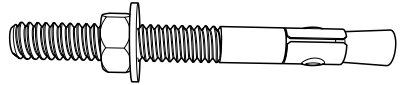
M4 nut
Qty. 6



D4 Washer
Qty. 6



ST6x30mm
Qty. 4



Concrete sleeve anchor
Qty. 2

Assembly & installation

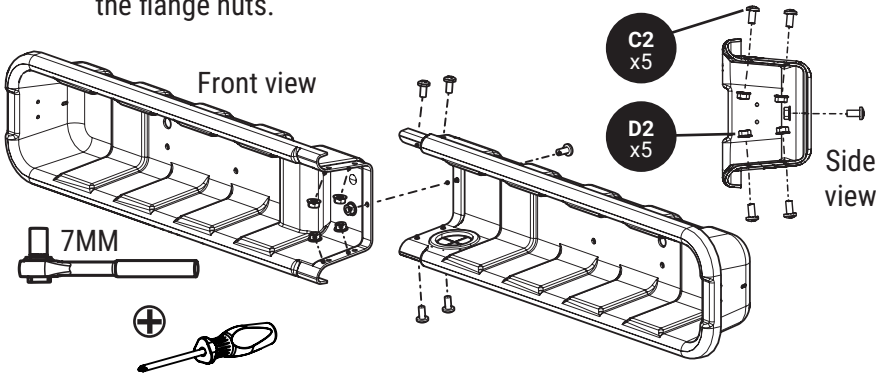
Follow each step as instructed to avoid any unwanted obstacles. Work in a spacious area near where the item will be used. Check your item list to make sure all parts and hardware are included before you begin the assembly process.

If you need any assistance with your new item, please don't hesitate to call or email us. We're happy to guide you through the assembly process.

STEP 1: PREPARE THE STORM SHELL

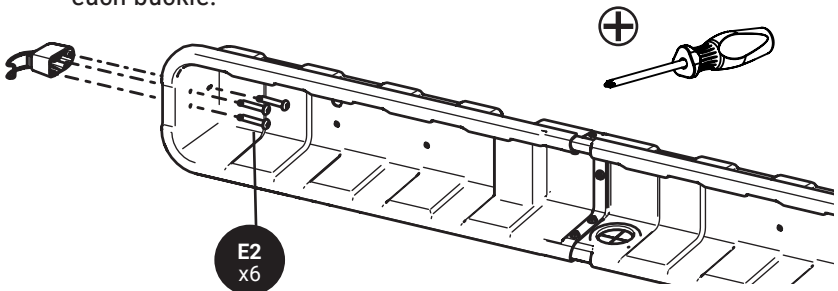
1-1 Assemble Storm Shell back

Use a 7 mm socket wrench and a Phillips screwdriver to tighten the flange nuts.



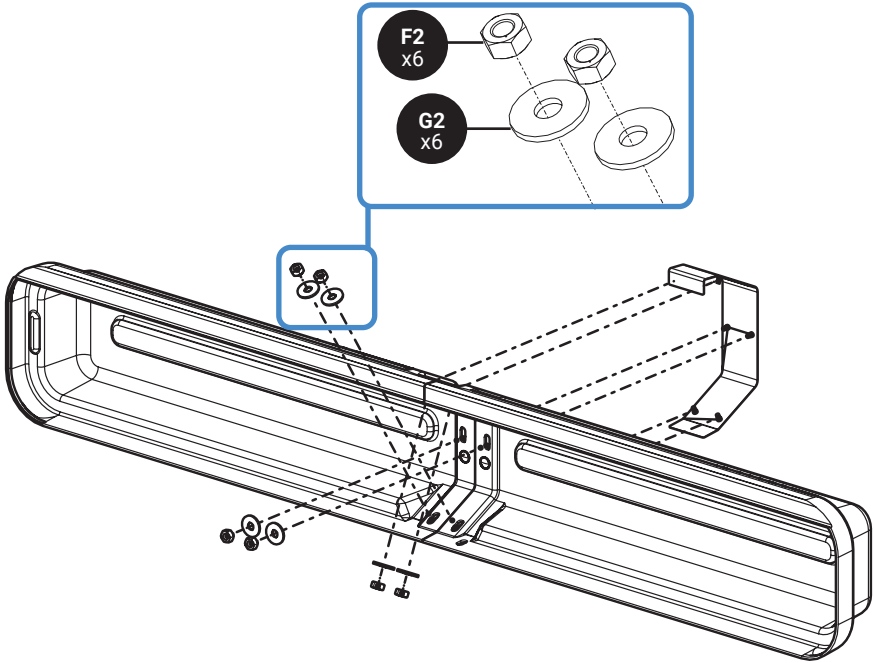
1-2 Attach buckle latches

Secure the two buckles on each side using three screws for each buckle.



1-3 Assemble Storm Shell Front

Start all hardware loosely, then fully **hand tighten** the nut, being careful not to over-tighten. Over-tightening may cause dimples on the front of the middle connecting plate.

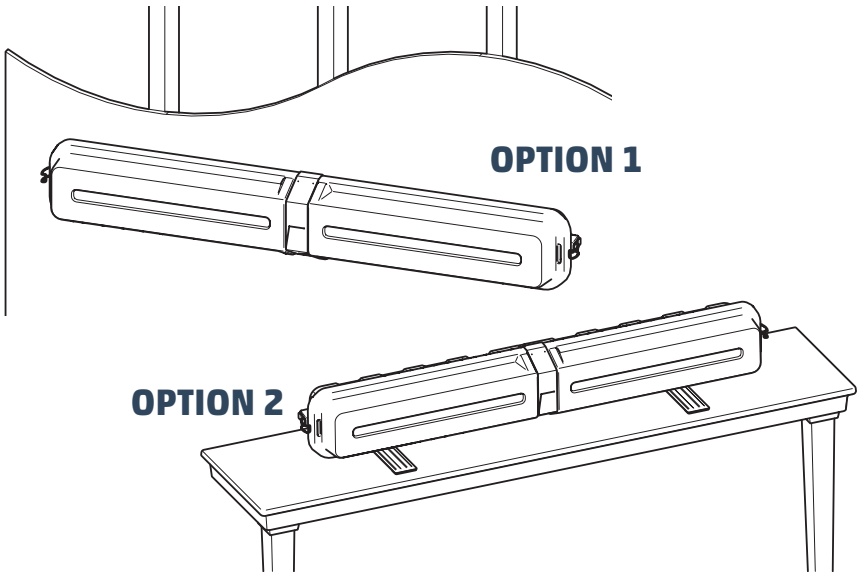


STEP 2: MOUNT YOUR STORM SHELL

Now that you have built your Storm Shell, it's time to mount it using one of the following methods:

Option 1: Wall mountedcontinue on page 11

Option 2: Free standingcontinue on page 21



Identify your wall supports to choose the appropriate installation method

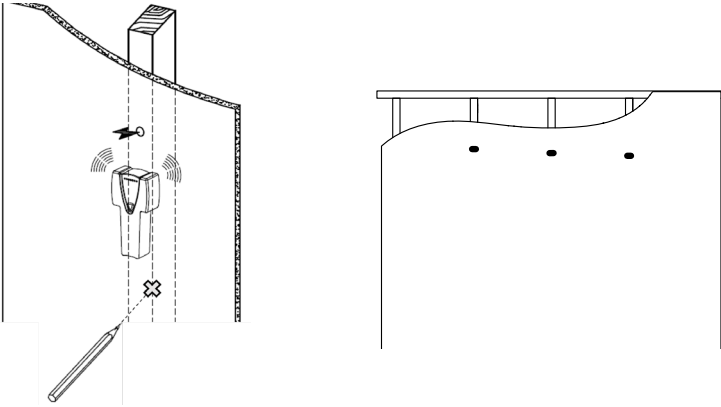
Wall Supports:	Installation:
Wood studs	A (page 12)
Solid concrete	B (page 17)
Metal studs	A* (page 12)
Hollow wall: C90 (cinderblock) or masonry wall less than 8" thick	B* (page 17)

**Note: Replace the hardware in the TV mount installation (Step A-3 & A-5 or B-6) with toggle bolts. Refer to the specific steps for further details.*

A | WOOD STUD INSTALLATION

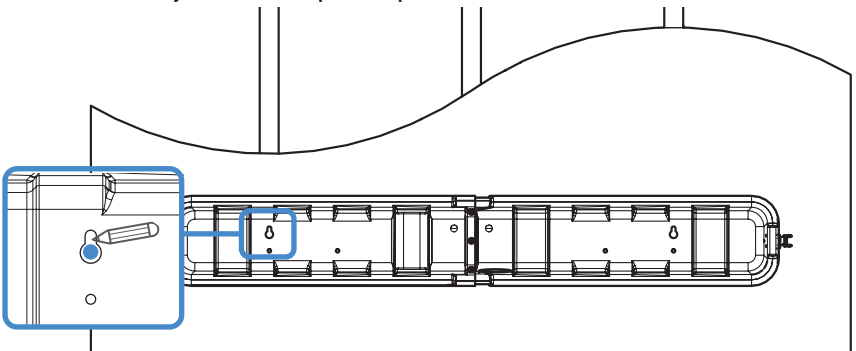
A-1 Locate and mark 3 studs

If the wall material is outdoor siding (vinyl or aluminum), stucco, or brick veneer, finding wood studs with a stud finder may be difficult due to multiple layers of construction cladding. In this case, you may need to locate the wood studs from the inside wall and take measurements to determine their position on the outdoor wall.



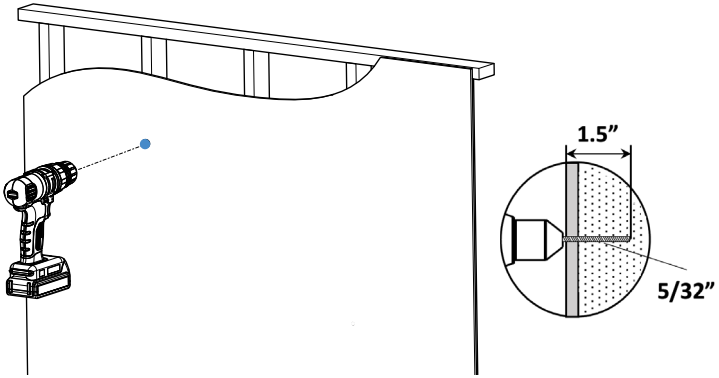
A-2 Place and mark

Hold the Storm Shell in the desired installation location and mark the left keyhole with a pen or pencil.

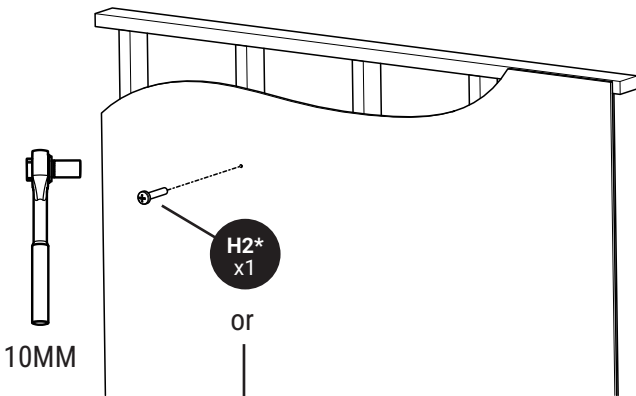


A-3 Drill the hole & insert screw

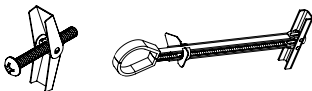
Remove the back of the Storm Shell and use a power drill with a 5/32" drill bit to drill 1.5" deep at the top left mark.



Use a 10mm socket wrench to install H2* into the hole you just created. Leave a small gap between the screw head and the wall.

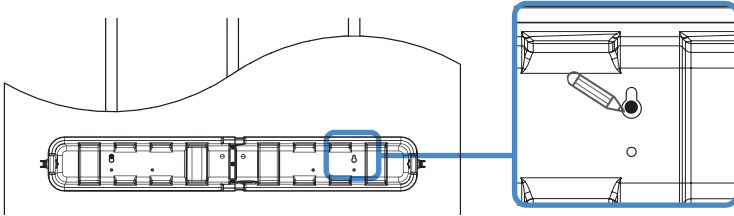
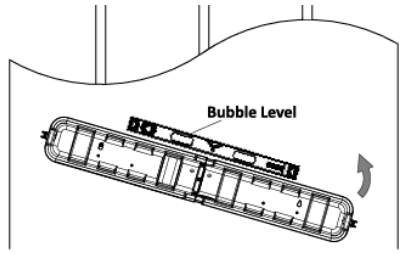


***METAL STUD INSTALLATION:
1/4" or 5/16" toggle bolts**



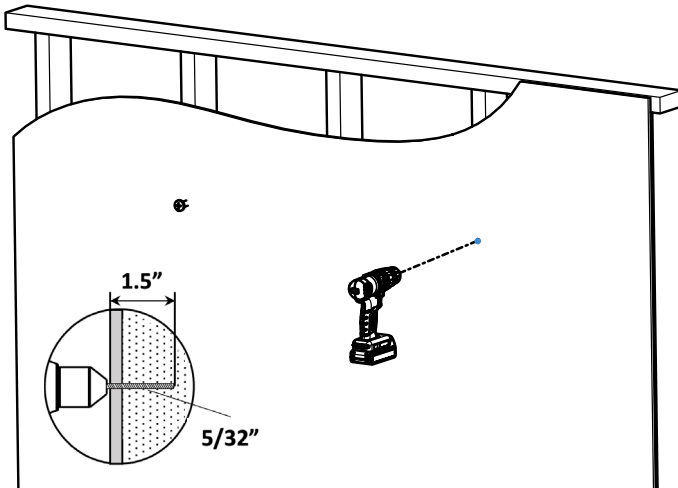
A-4 Level Storm Shell

Hang the top left key-hole on the installed H2 screw. Place a bubble level on the Storm Shell and adjust until it is level. Once leveled, mark the position of the right key-hole.

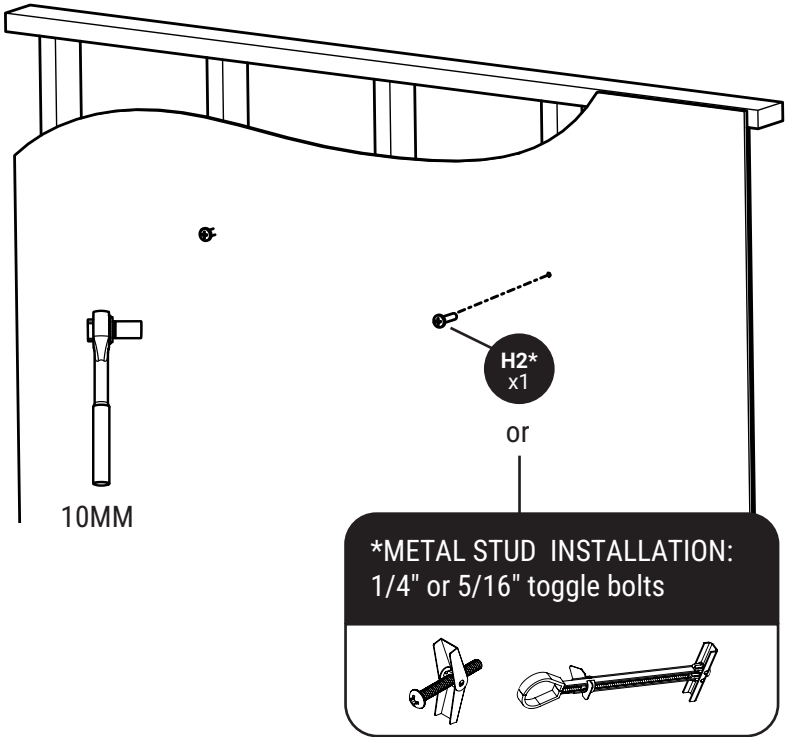


A-5 Drill the hole & insert screw

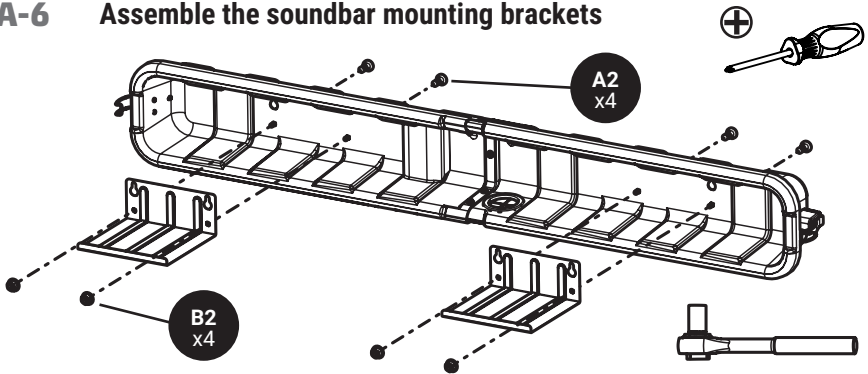
Remove the back of the Storm Shell and use a power drill with a 5/32" drill bit to drill 1.5" deep at the top right mark.



Use a 10mm socket wrench to install H2* into the hole you just created. Leave a small gap between the screw head and the wall.

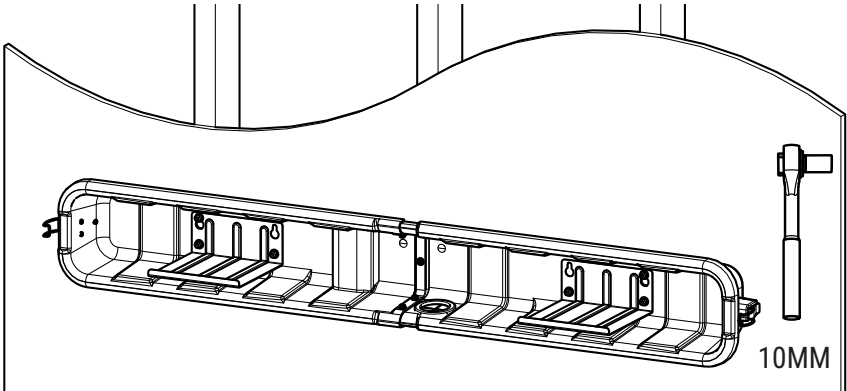


A-6 Assemble the soundbar mounting brackets



A-7 Hang Storm Shell back

Place the Storm Shell back on the wall using the mounted H2 screws through the keyholes. Tighten the H2 screws to firmly secure the Storm Shell to the wall.



Skip to page 22

B | CONCRETE WALL INSTALLATION

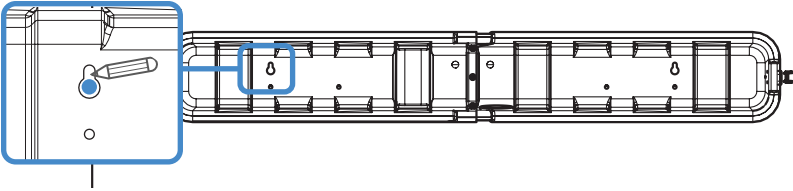


WARNING:

Be aware of electrical conduit, gas, or water pipes!

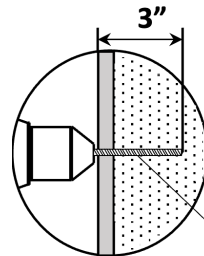
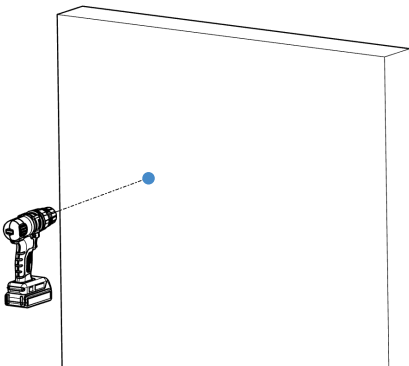
B-1 Place and mark

Hold Storm Shell in the desired installation location and mark the left key-hole with a pen or pencil.



B-2 Drill the hole & insert the screw

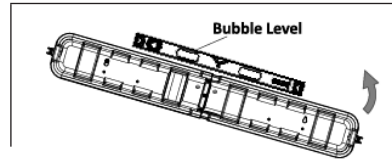
Remove the back of the Storm Shell and use a hammer drill with a 5/16" masonry drill bit to drill 3" deep at the top left mark. Test the hole to ensure that the J2 concrete sleeve anchor will fit snugly (note: do not tap the concrete sleeve anchor into the hole yet.)



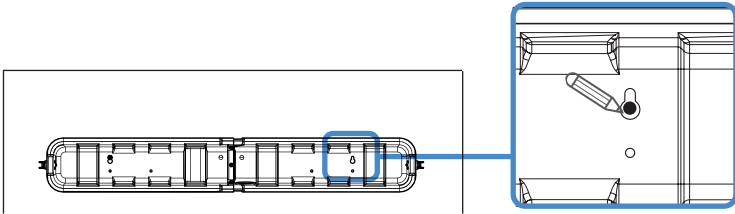
5/16"

B-3 Level Storm Shell

Insert an H2 screw through the left mounting keyhole of the Storm Shell and into the drilled hole. This screw will be loose, which is fine because it is used temporarily to support and level the unit.

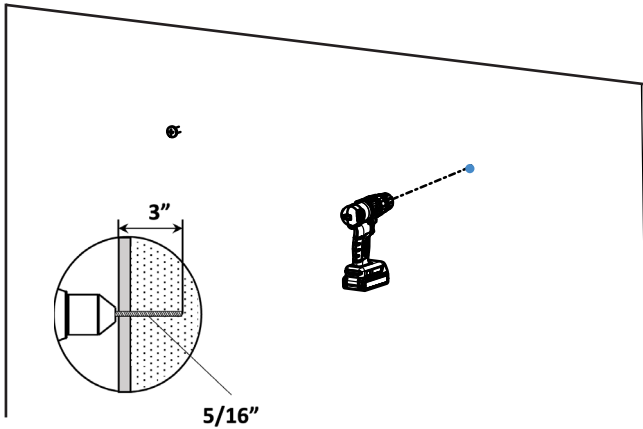


Place a bubble level on the Storm Shell and adjust until level. Once level, mark the position of the top-right keyhole.

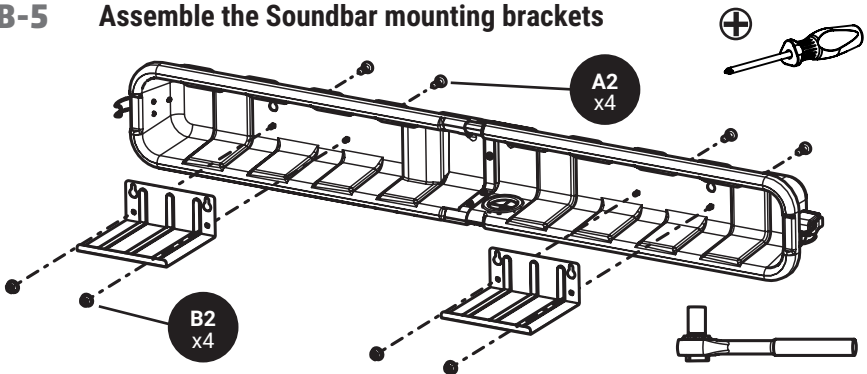


B-4 Drill the hole & insert screw

Remove the back of the Storm Shell and screw, then use a hammer drill with a 5/16" drill bit to drill 3" deep at right keyhole mark. Test the hole to ensure that the J2 concrete sleeve anchor will fit snugly (note: do not tap the concrete sleeve anchor into the hole yet.)



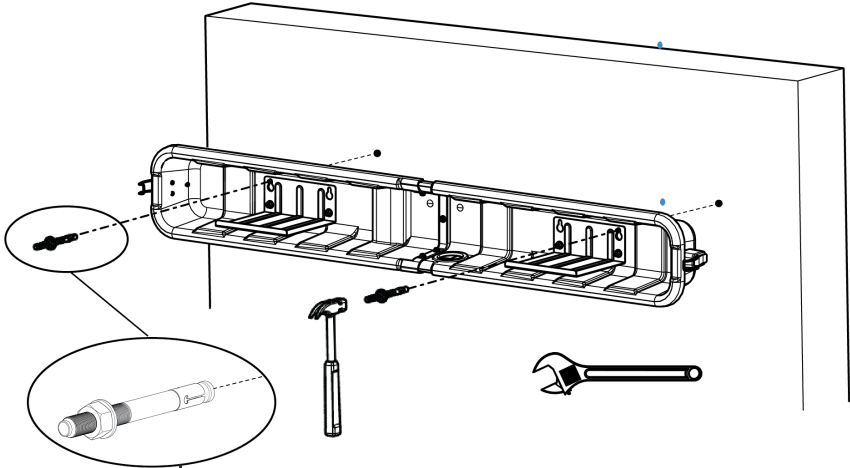
B-5 Assemble the Soundbar mounting brackets



B-6 Mount the back

Tap-in J2* with hammer, then tighten nuts with crescent wrench. Do not overtighten the nut or the masonry around the sleeve anchor may crack.

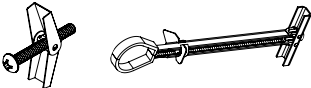
**NOTE: If the wall is less than 8" thick or is hollow C90 (Cinder Block) you will need to replace the J2 with toggle bolts.*



J2*
x2

or

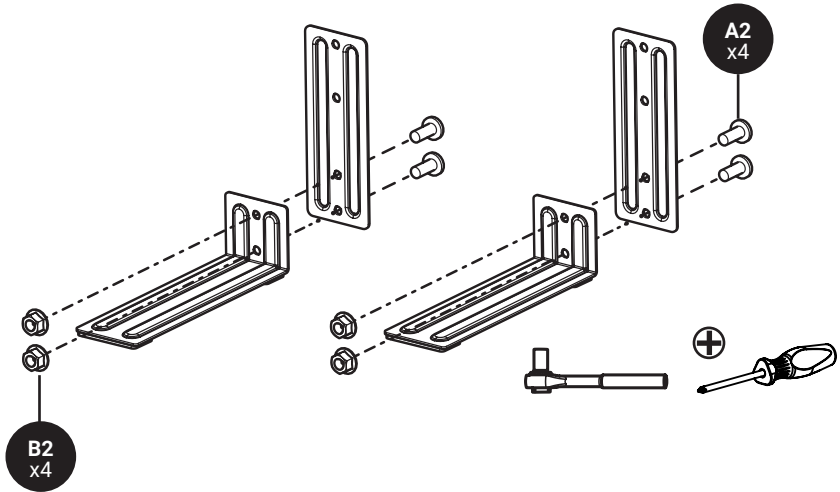
***HOLLOW WALL INSTALLATION:**
1/4" or 5/16" toggle bolts



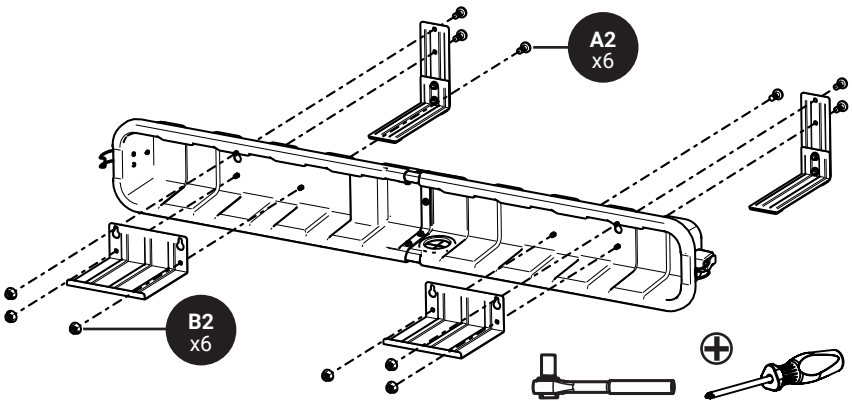
Skip to page 22

C | ASSEMBLY FOR FLAT SURFACE WITH FEET

C-1 Connect foot bottom bracket to foot top bracket

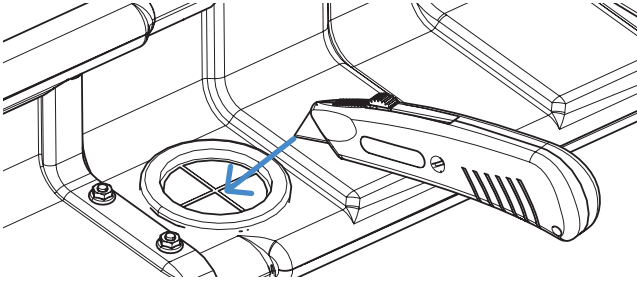


C-2 Attach foot brackets and sound bar mounting brackets

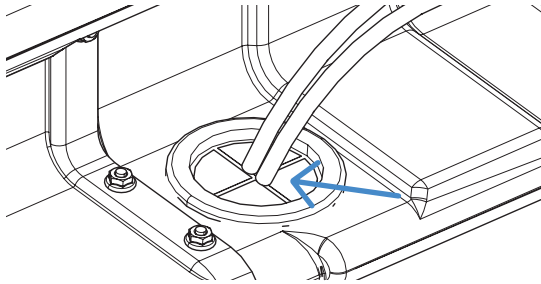


STEP 3: INSTALL SOUNDBAR

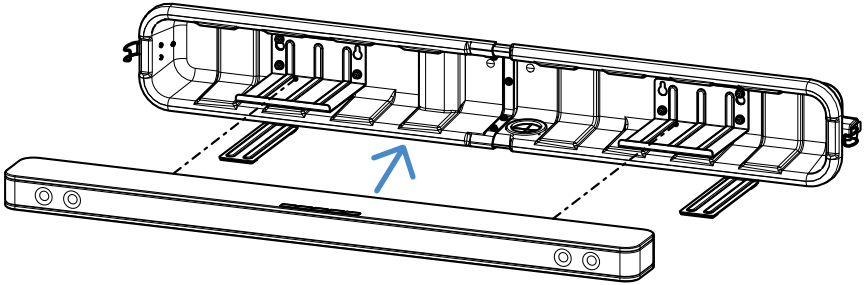
- 3-1** **Cut cable grommet along the X pattern**
Using a box cutter, follow the X pattern along the grommet. This will allow you to push the cords through.



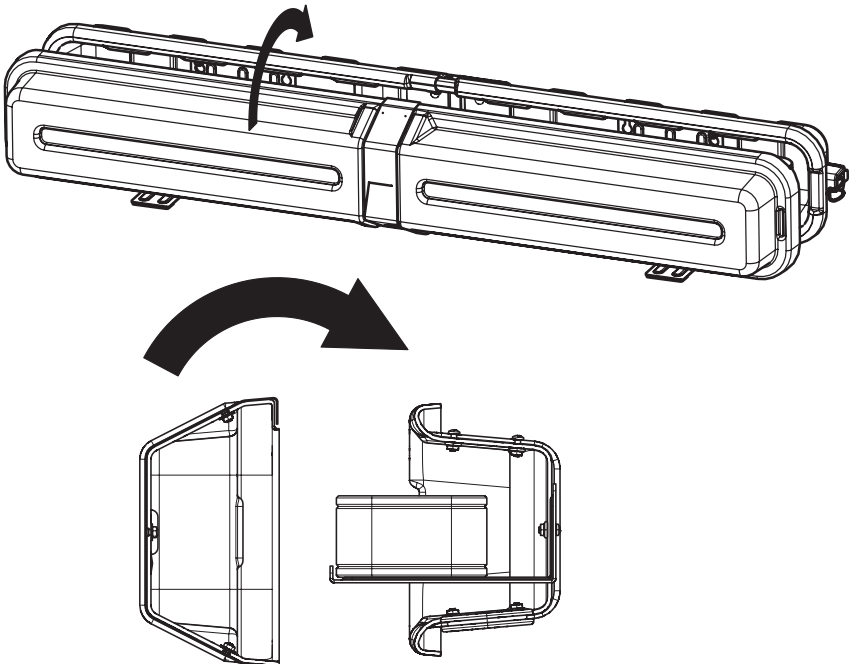
- 3-2** **Route cords through the grommet**



- 3-3 Install the Soundbar on the Soundbar Mounting brackets**
Place the soundbar onto the mounting brackets. The soundbar is designed to rest on the brackets but may be secured for additional stability if desired (hardware not included).



- 3-4 Install Storm Shell front - check the fit**





Need help?

435-752-6611

cs@stormshelltv.com

stormshelltv.com