

BEFORE YOU START

Things You Need To Know

Number of people required to assemble

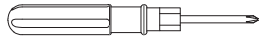
Two people are required to assemble this item



Time to assemble



50 Min.



NOT Supplied

Guidelines

**FAILURE TO FOLLOW THESE WARNINGS
WHEN IN USE COULD RESULT IN INJURY**

DO



- We suggest you spend a short time reading through the leaflet before you start
- When you are ready to start, make sure that you have the right tools, plenty of space and a clean, dry area for assembly.
- Unwrap all packing materials and place the components on a clean surface to protect them from damage. We recommend using the product packaging to protect your floor during assembly.
- Carefully check that you have all the parts before beginning assembly.
- Due to the size of this product, we recommend assembly in the room intended for use.
- Make sure the product is fully assembled as illustrated and that all connections are fully tightened before use.
- Wipe occasionally with a soft, damp cloth then buff dry with a soft clean dry cloth.
- The wood will mellow and change color over time. As a result, we recommend that ornaments and items placed on the surface are moved regularly for the first few months to prevent an uneven mellowing.
- Check all bolts and screws every 90 days. As necessary tighten if any are loose.
- Keep small parts and pieces away from children and pets until fully assembled.

DON'T

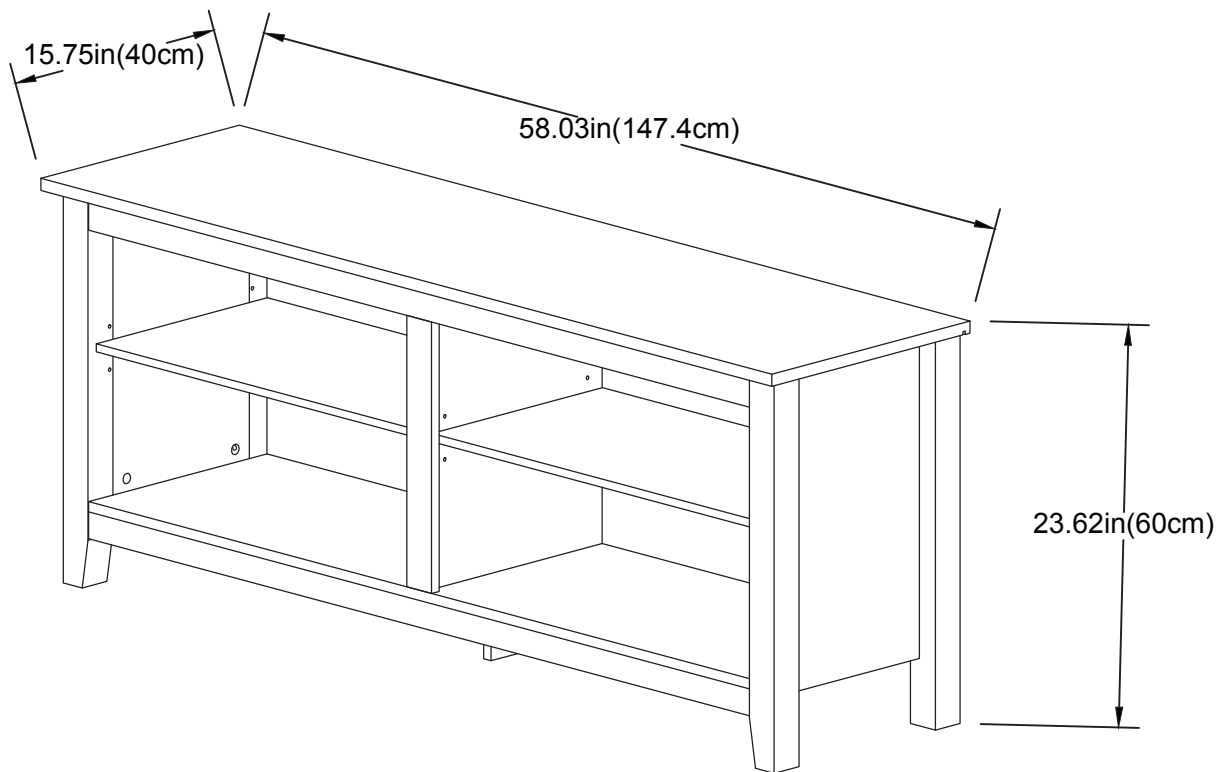


- Do not drag or pull your furniture.
- Do not rub or scrub the surface when cleaning.
- Do not use silicone based furniture polish. Silicone in furniture polishes can break down the finish.
- Never allow any kind of liquid to remain on your furniture. Absorption can cause wood to warp or finishes to de-laminate.
- Do not place hot items (e.g. hot drinks) directly on to the wood surface. Please make sure you use a placement or coaster.
- Do not stand on the item or use as a step ladder.
- **WARNING: DO NOT LET CHILDREN PLAY IN OR AROUND THE UNIT DUE TO THE POSSIBLE RISK OF INJURY.**

TV Stand

Product Dimension

Actual product size
23.62" Height x 58.03" Width x 15.75" Depth



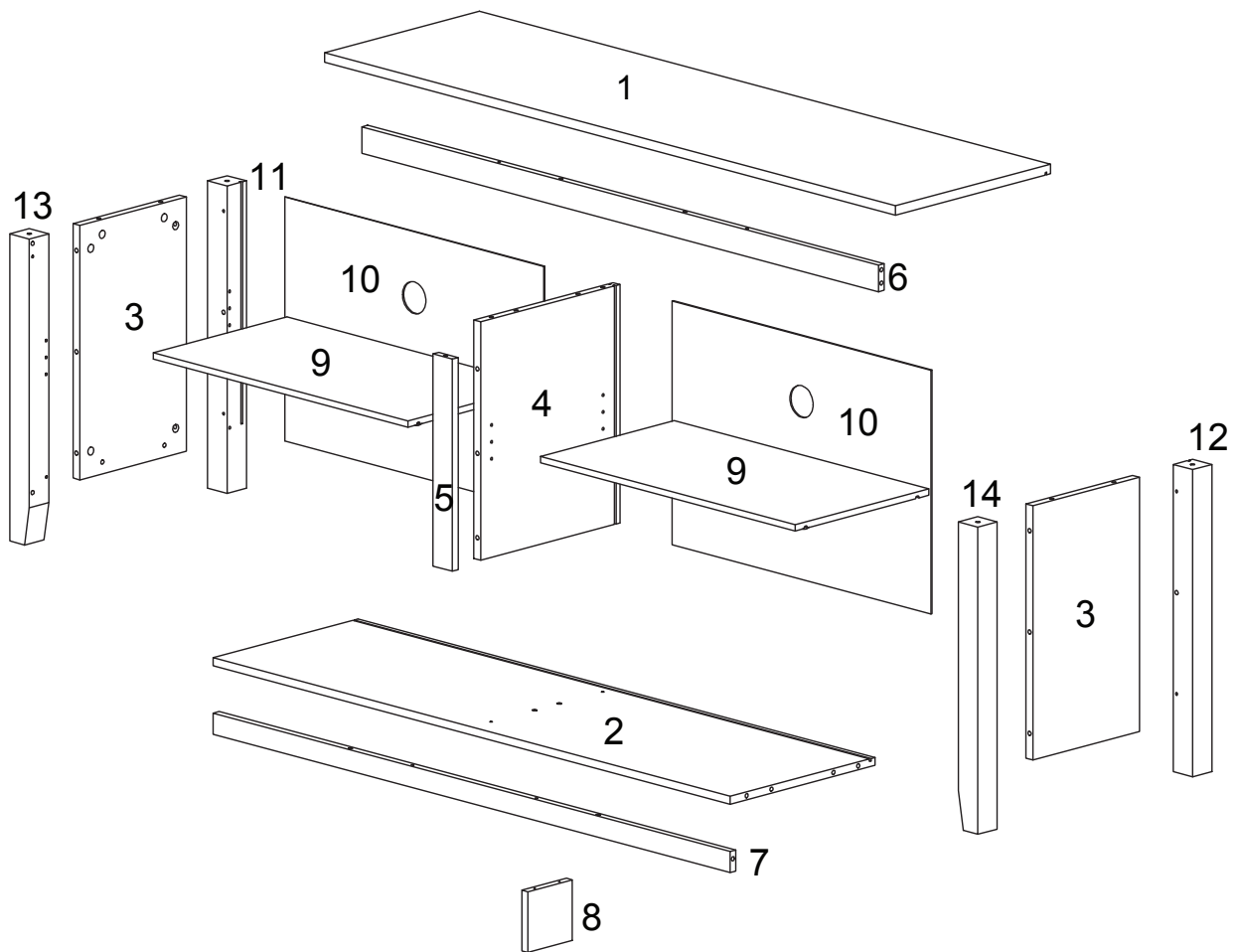
IMPORTANT-RETAIN FOR FUTURE REFERENCE

To speak to a customer
servicerepresentative,
please call toll free:

1-855-372-2315 U.S. 6am - 5pm PST,
0-800-051-6775 U.K. 2pm - 1am

TV Stand

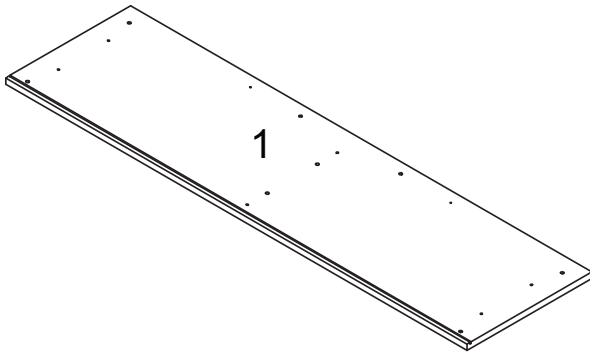
Getting To Know Your Product



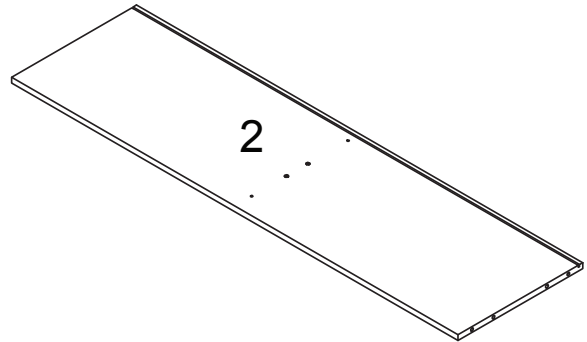
TV Stand

Things You Need To Know

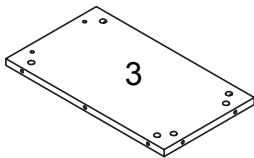
Components supplied. Please use this guide if you require replacement parts.
Fixtures and fittings supplied (not to scale)



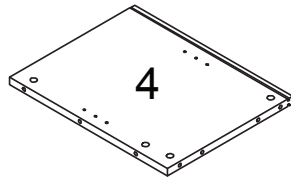
(1) Top Panel x1



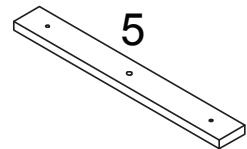
(2) Bottom Panel x1



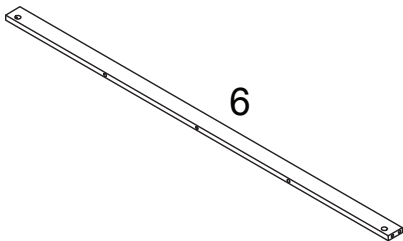
(3) Side Panel x2



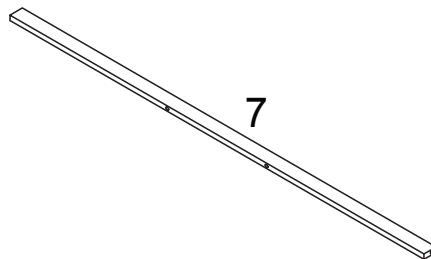
(4) Upright Panel x1



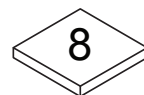
(5) Front Upright Rail x1



(6) Upper Rail x1



(7) Bottom Rail x1

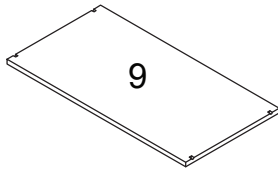


(8) Support Leg x1

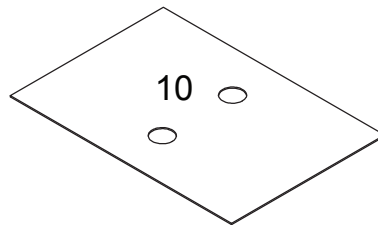
TV Stand

Things You Need To Know

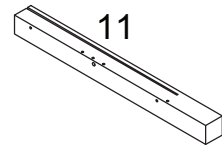
Components supplied. Please use this guide if you require replacement parts.
Fixtures and fittings supplied (not to scale)



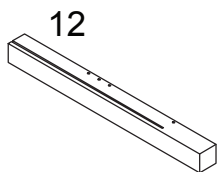
(9) Shelf x2



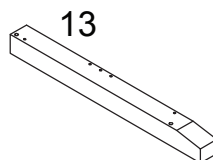
(10) Back Panel x3



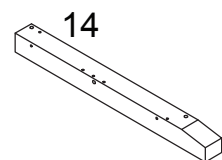
(11) Left Rear Leg x1



(12) Right Rear Leg x1



(13) Left Front Leg x1



(14) Right Front Leg x1

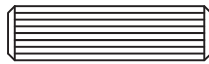
TV Stand

Things You Need To Know

Components supplied. Please use this guide if you require replacement parts.
Fixtures and fittings supplied (not to scale)



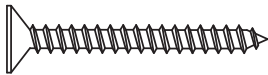
(A) Cam Bolt x22
M6x28mm
(Spare x2)



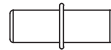
(B) Wood Dowel x24
M8x30mm
(Spare x2)



(C) Cam Lock x22
M15x11mm
(Spare x2)



(D) Long Screw x8
M4.5x42mm
(Spare x1)



(E) Shelf Holder x8
(Spare x1)



(F) Back Fasten x8
(Spare x1)



(G) Small Screw x8
M3x14mm
(Spare x1)



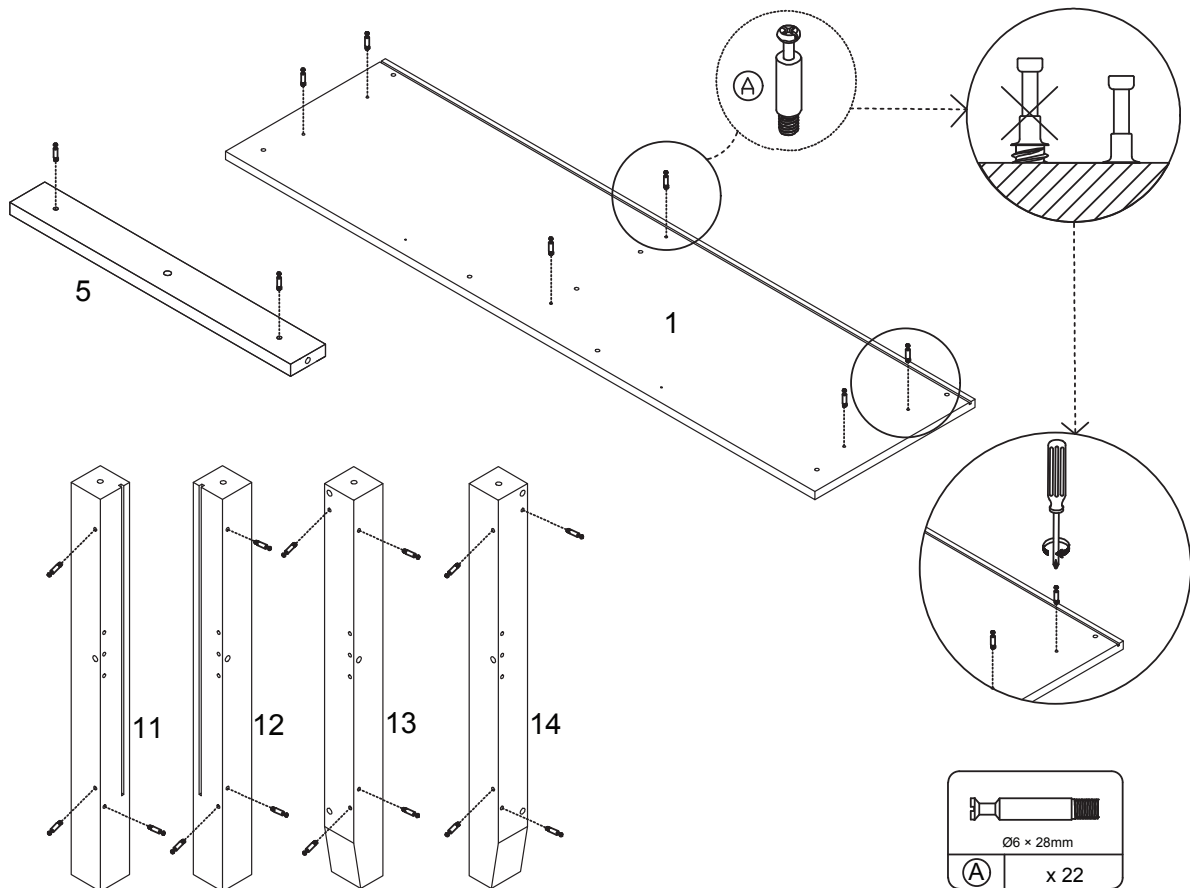
(H) Cam Lock Cover x22
20mm

TV Stand

Assembly Instructions

1 STEP

1. Ensure all parts have been removed from the carton and place on a protected surface or carpet.
2. Check all parts and hardware are the same as the "Parts List."
3. Insert 30 x Cam Bolts (A) into Parts 1, 5, 11, 12, 13 & 14 using a screwdriver (not supplied) to tighten.

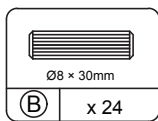
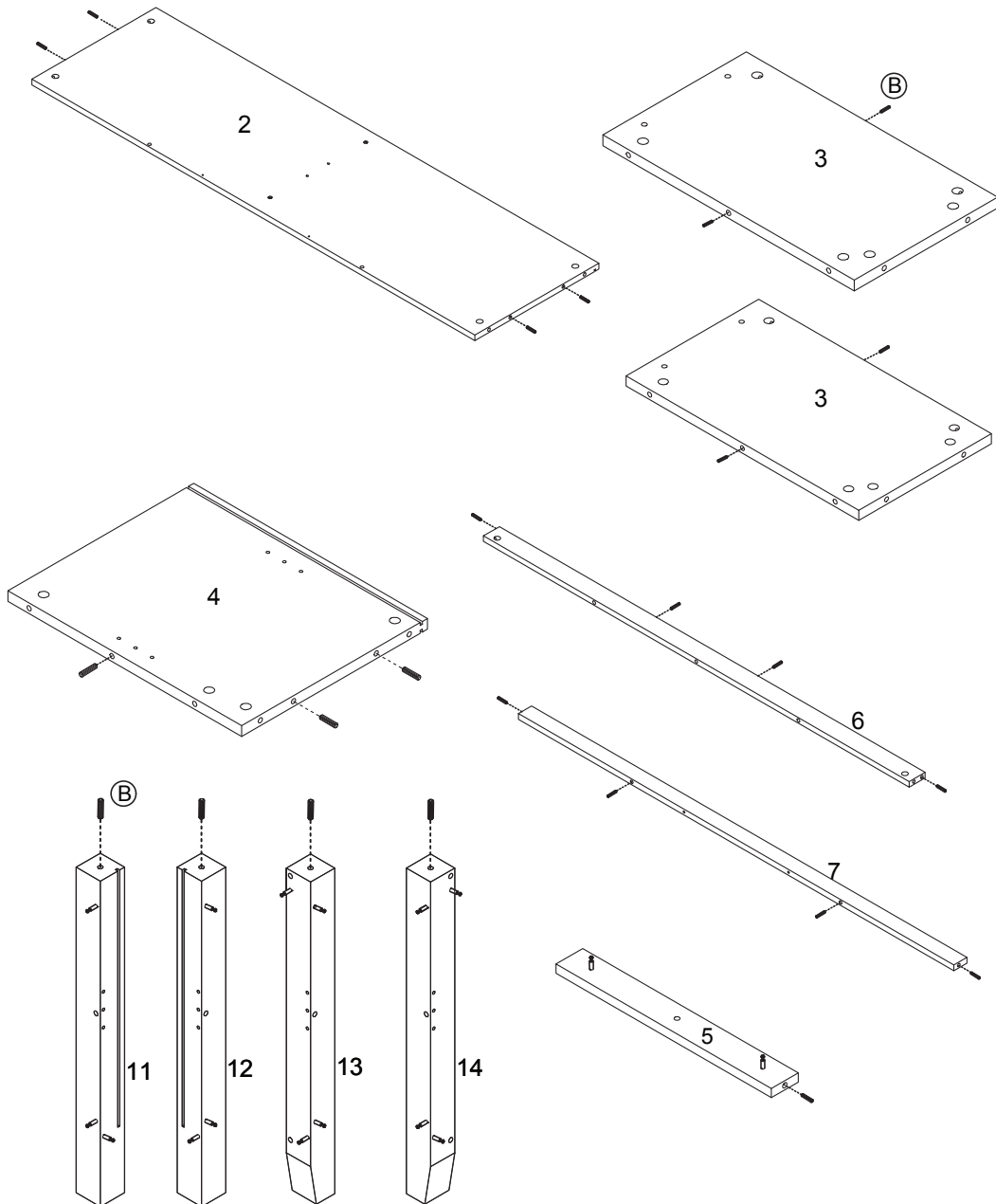


TV Stand

Assembly Instructions

2
STEP

1. Insert 24 x Wood Dowels (B) into Parts 2, 3, 4, 5, 6, 7, 11, 12, 13 & 14.

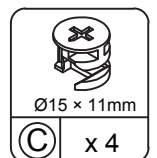
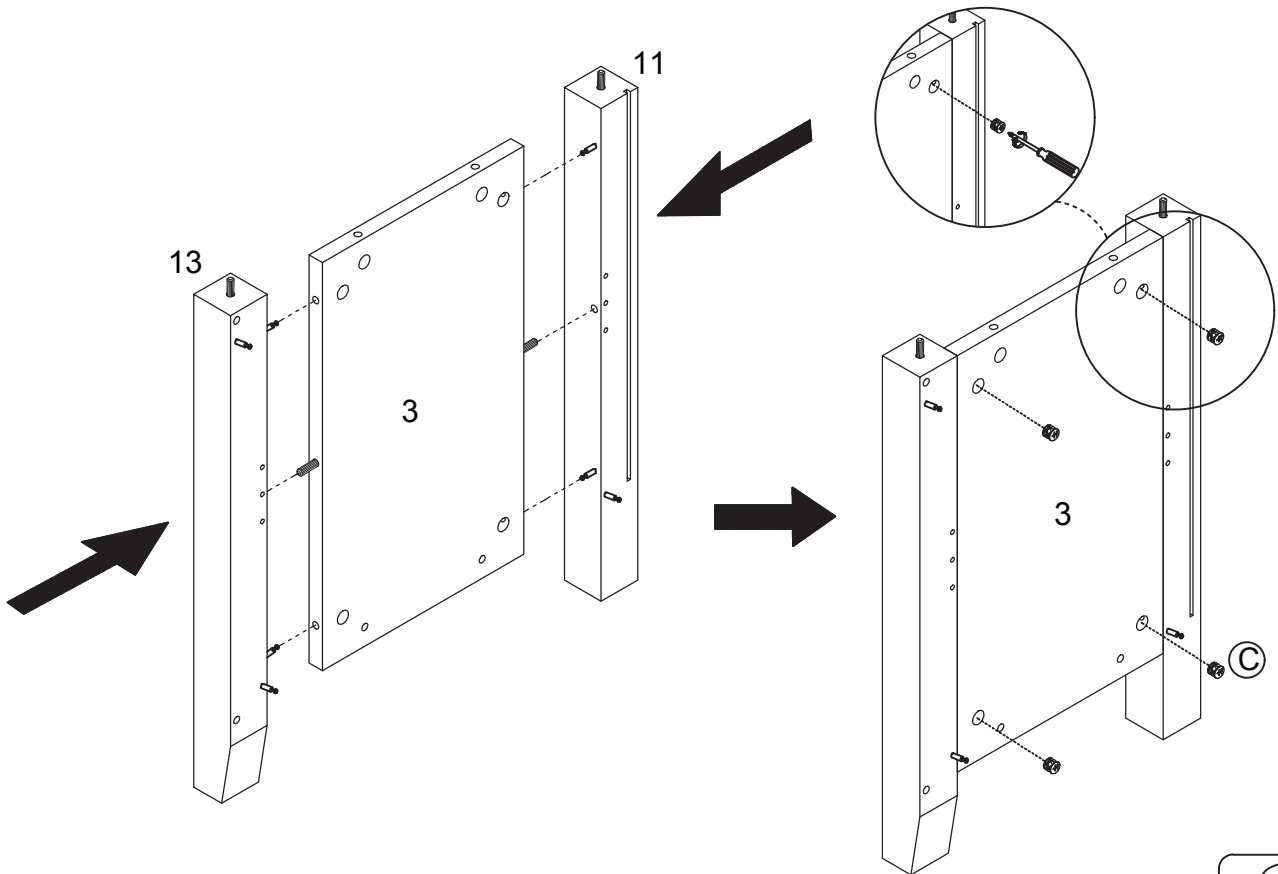


TV Stand

Assembly Instructions

3
STEP

1. Attach Left Front Leg (13) & Left Rear Leg (11) to Side Panel (3) as below image.
2. Insert 4 x Cam Locks (C) into Side Panels (3) and tighten with a screwdriver (not supplied).



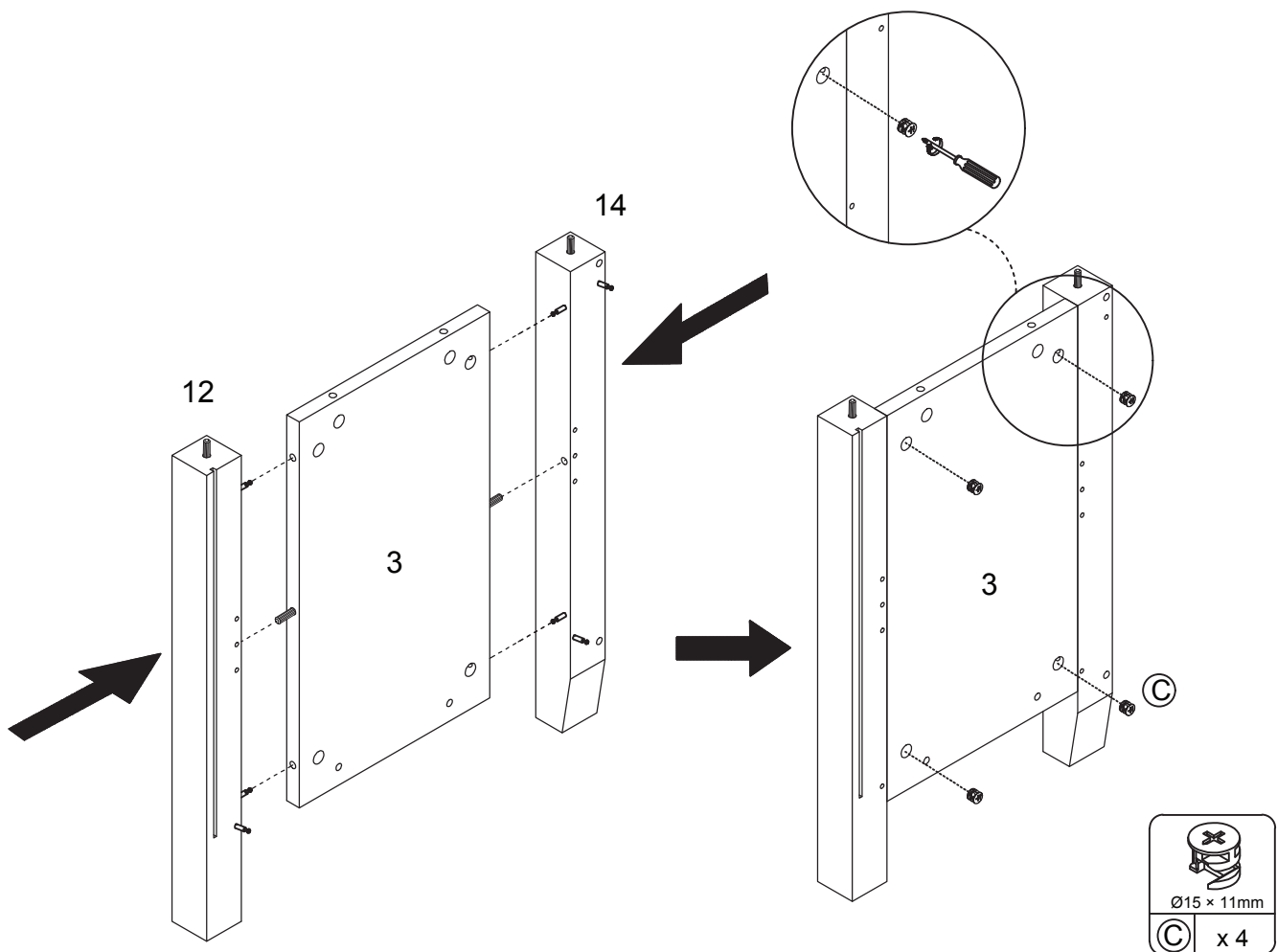
TV Stand

Assembly Instructions

4
STEP

1. Attach Right Front Leg (14) & Right Rear Leg (12) to Side Panel (3) as below image.

2. Insert 4 x Cam Locks (C) into Side Panels (3) and tighten with a screwdriver.

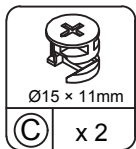
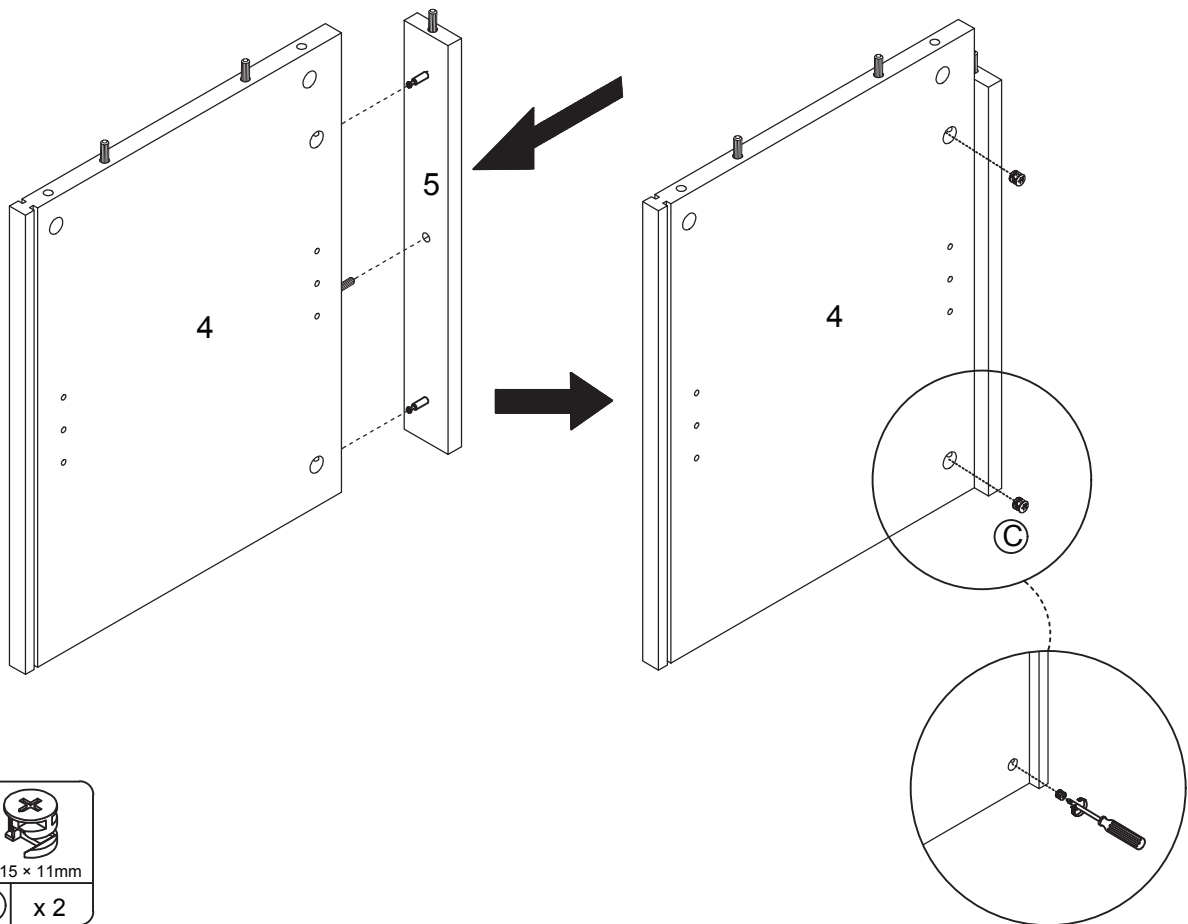


TV Stand

Assembly Instructions

5
STEP

1. Attach Front Upright Rail (5) to Upright Panel (4) as below image.
2. Insert 2 x Cam Locks (C) into Panel (4) and tighten with a screwdriver.

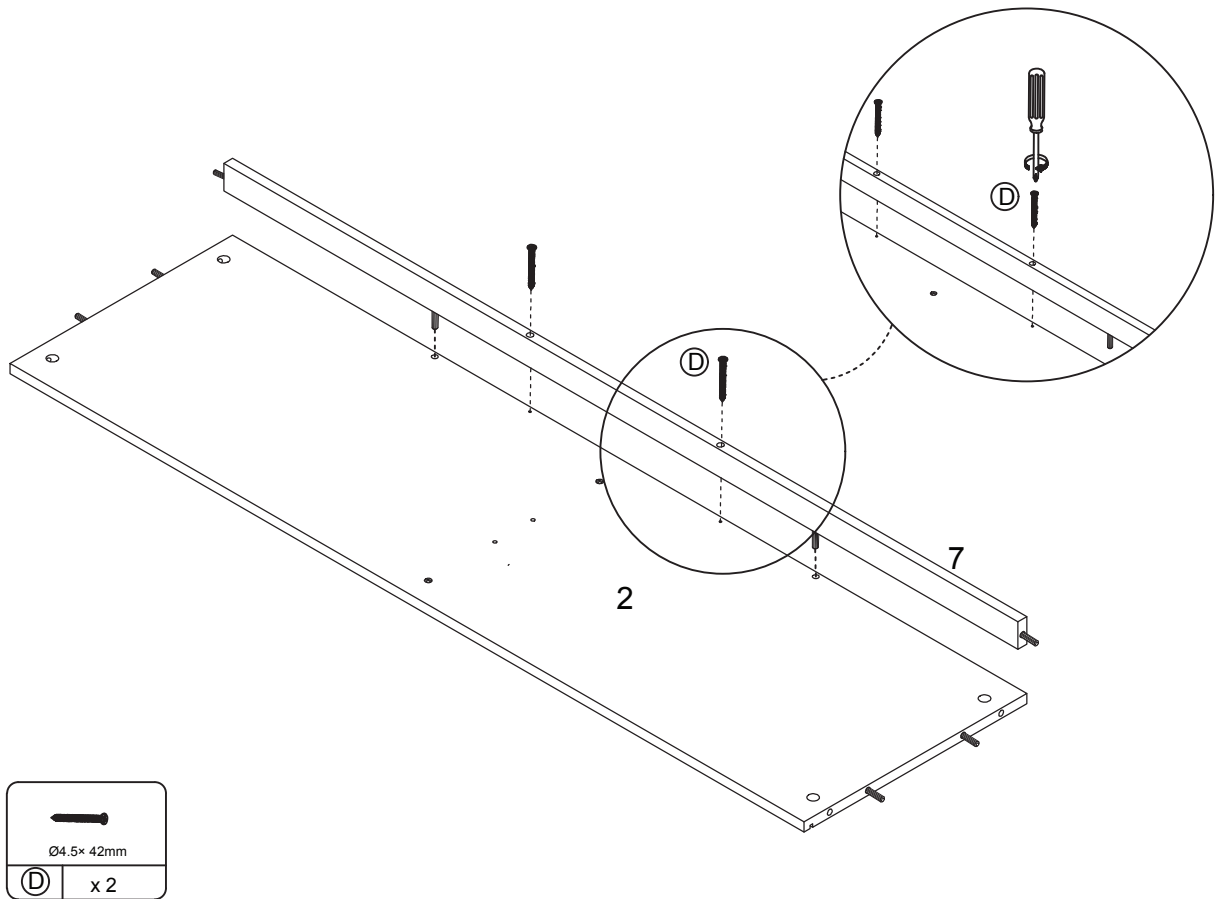


TV Stand

Assembly Instructions

6
STEP

1. Fix Bottom Rail (7) on Bottom Panel (2) as below image.
2. Fasten Bottom Rail (7) to Bottom Panel (2) with 2 x Long Screws (D) and tighten with a screwdriver.

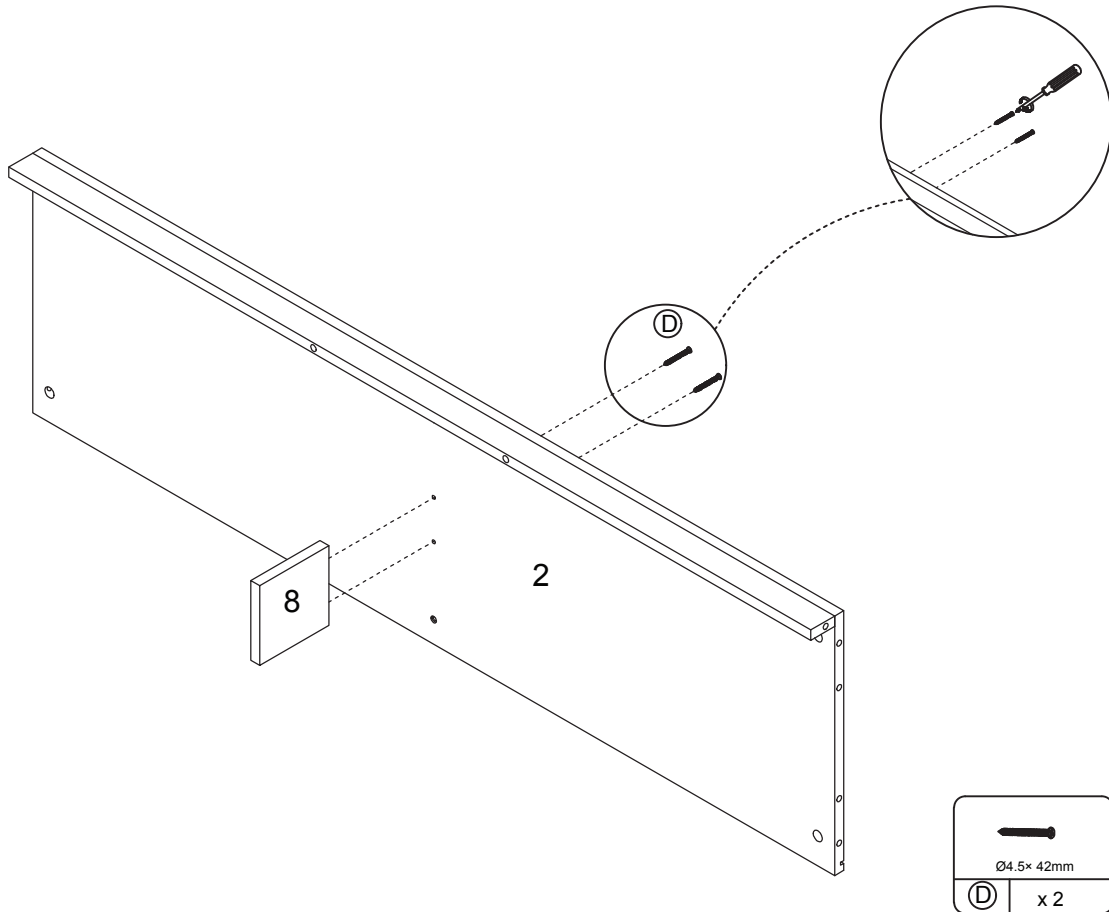


TV Stand

Assembly Instructions

7
STEP

1. Fix Support Leg (8) on Bottom Panel (2) as below image.
2. Fasten Support Leg (8) to Bottom Panel (2) with 2 x Long Screws (D) and tighten with a screwdriver.

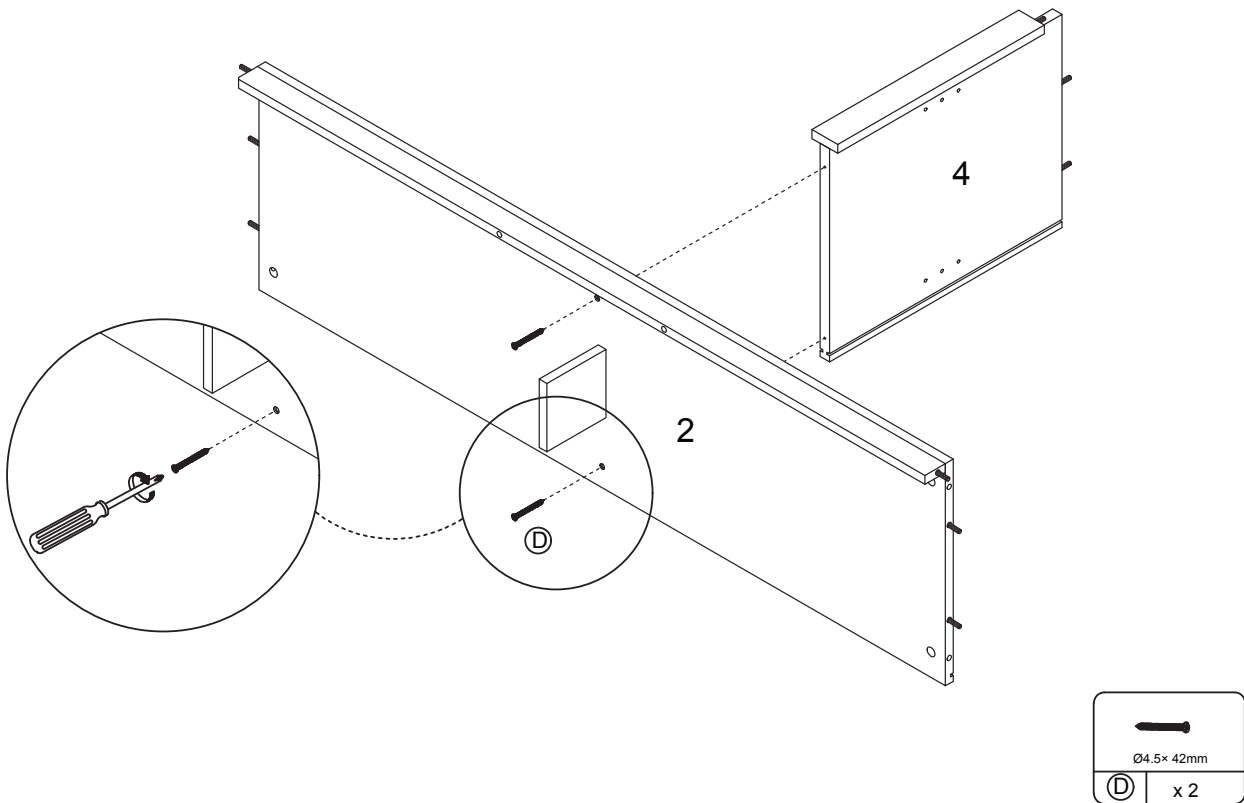


TV Stand

Assembly Instructions

8
STEP

1. Fix assembled Panels (4) on Bottom Panel (2) as below image.
2. Fasten Panels (4) to Bottom Panel (2) with 2 x Long screws (D) and tighten with a screwdriver.

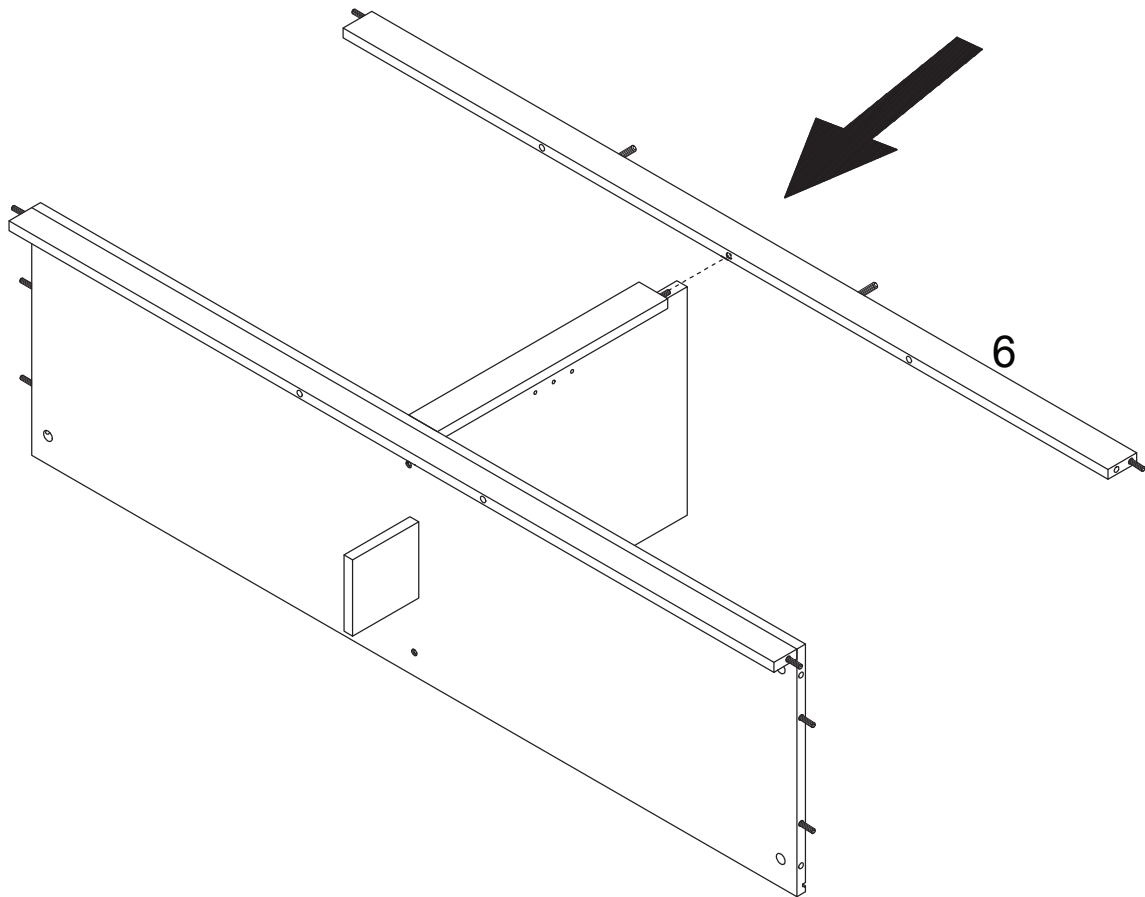


TV Stand

Assembly Instructions

9
STEP

1. Attach Upper Rail (6) to Front Upright Rail (15) with Wood Dowel as below image.



TV Stand

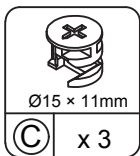
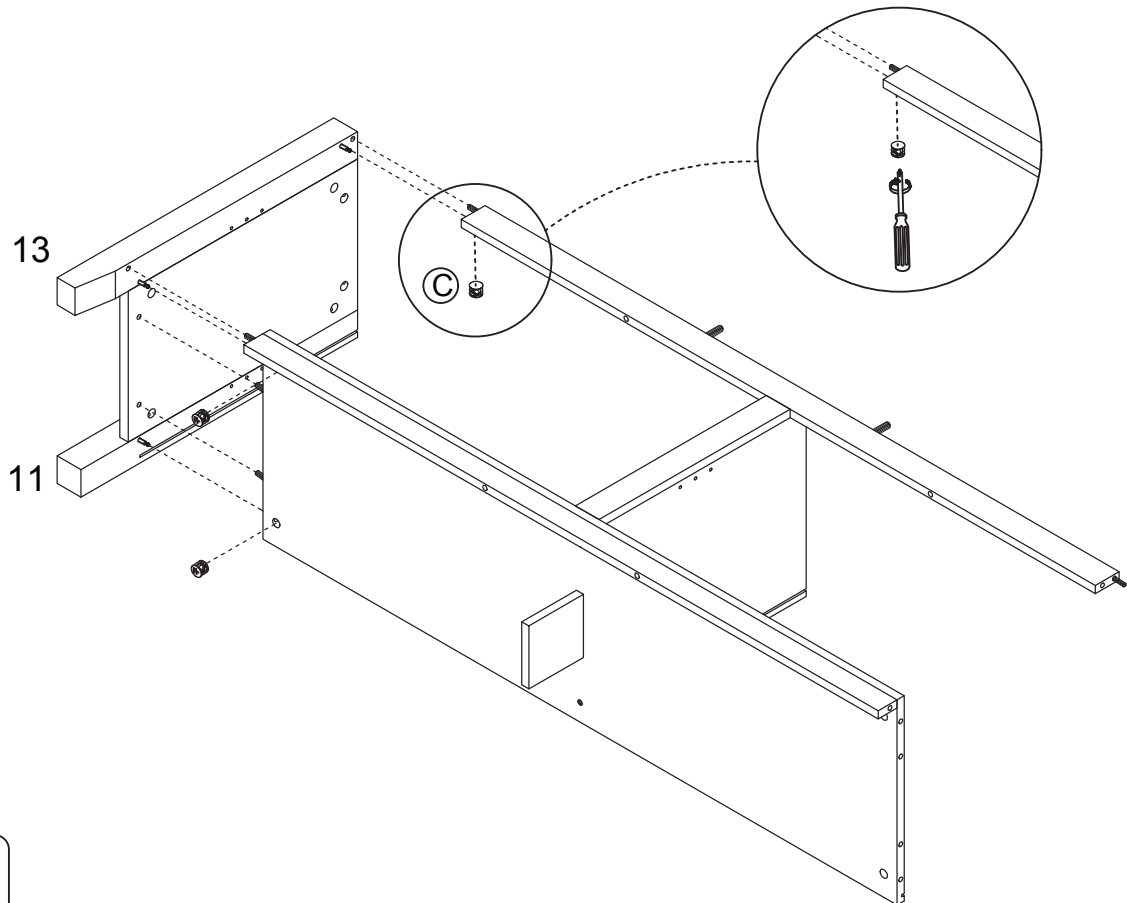
Assembly Instructions

10

STEP

1. Attach assembled Left Side Panel to assembled unit - Bottom Panel (2), Bottom Rail (7) & Upper Rail (6) as below image.

2. Insert 3 x Cam Locks (C) into Bottom Panel (2), Bottom Rail (7) & Upper Rail (6). Tighten with a screwdriver.



TV Stand

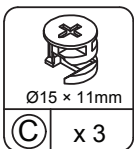
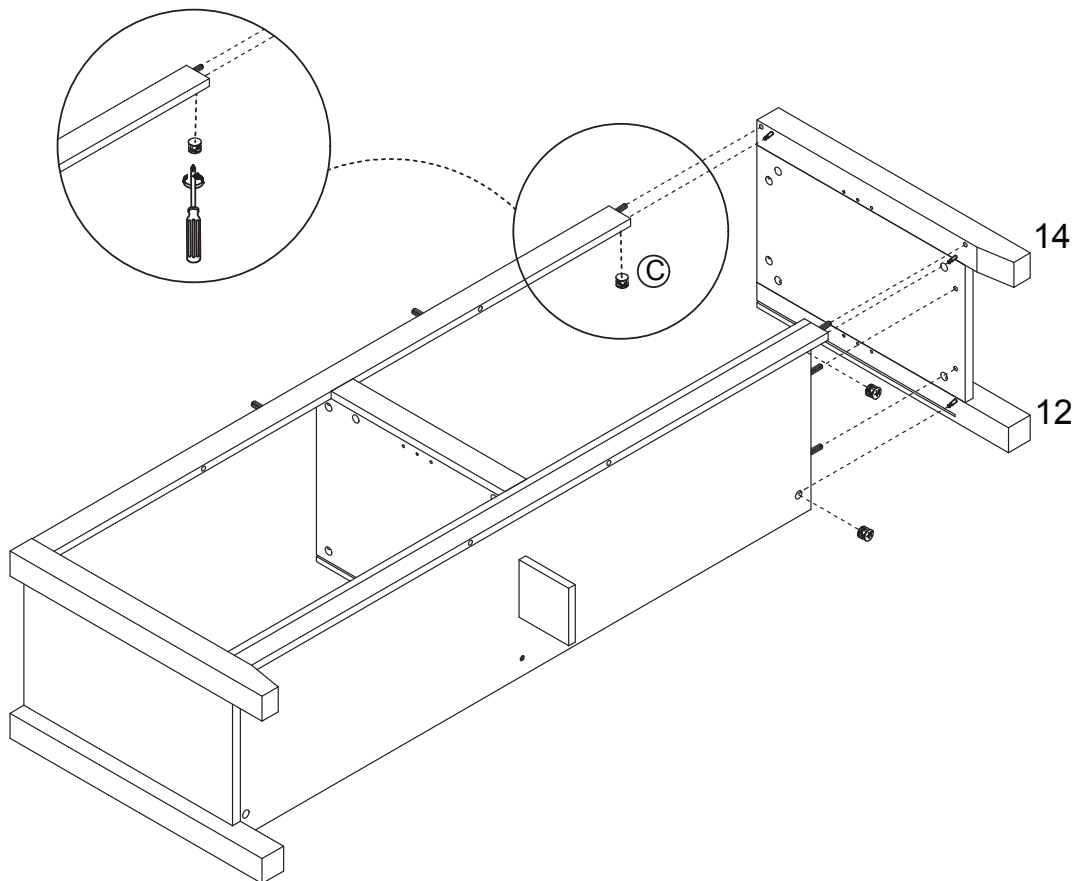
Assembly Instructions

11

STEP

1. Attach assembled Right Side Panel to assembled unit - Bottom Panel (2), Bottom Rail (7) & Upper Rail (6) as below image.

2. Insert 3 x Cam Locks (C) into unit - Bottom Panel (2), Bottom Rail (7) & Upper Rail (6). Tighten with a screwdriver.



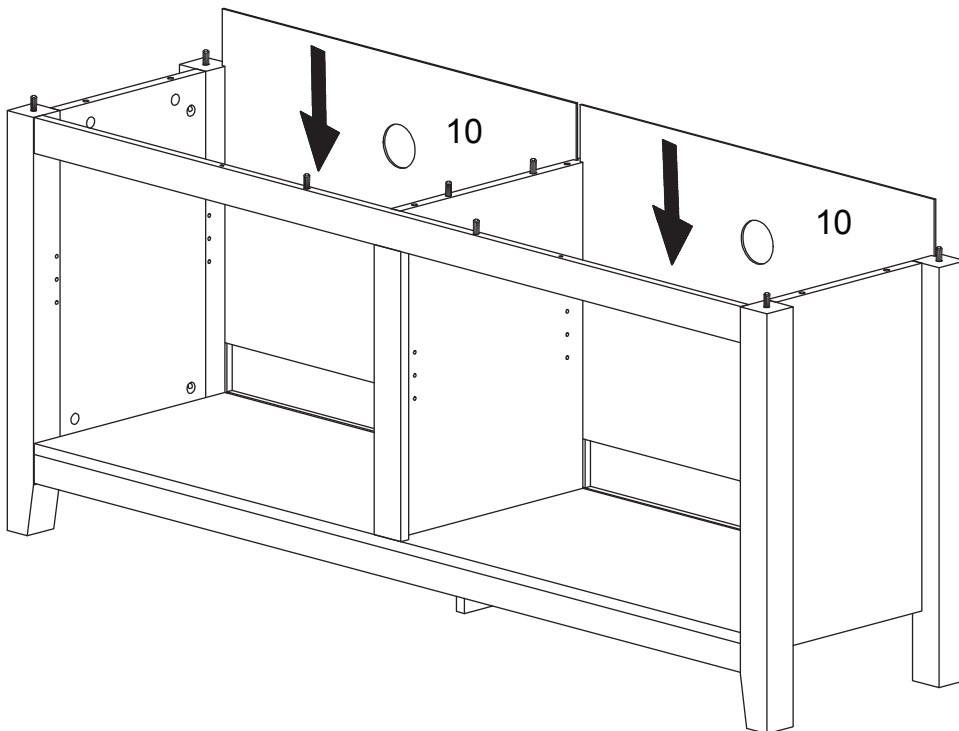
TV Stand

Assembly Instructions

12

STEP

1. Slide 2 x Back Panel (10) into back groove on assembly unit.



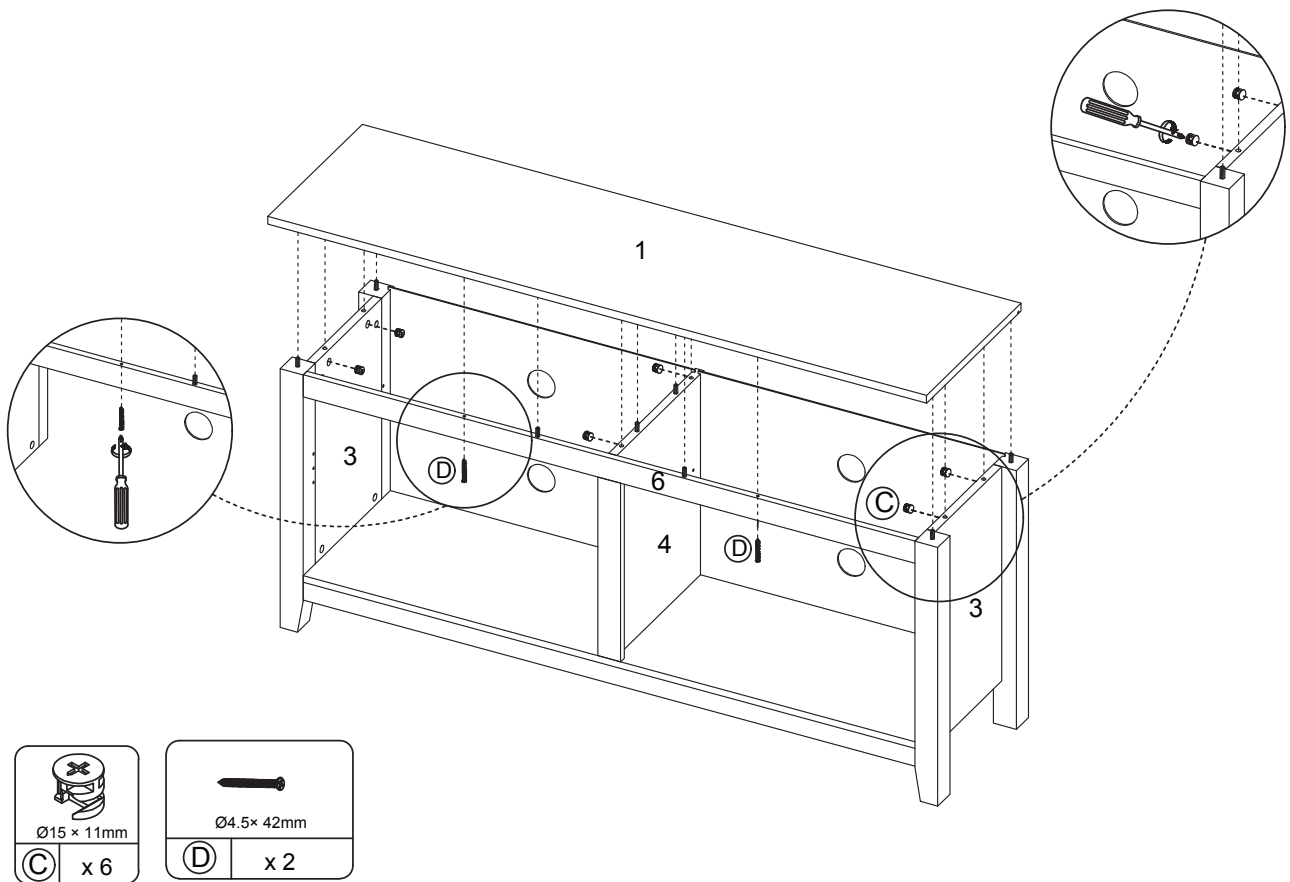
TV Stand

Assembly Instructions

13

STEP

1. Attach Top Panel (1) to assembled unit as below image.
2. Fasten Top Panel (1) to assembled unit on Upper Rail (6) with 2 x Long Screws (D) and tighten with a screwdriver.
3. Insert 6 x Cam Locks (C) into assembled unit and tighten with a screwdriver.

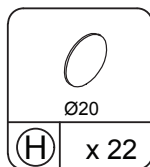
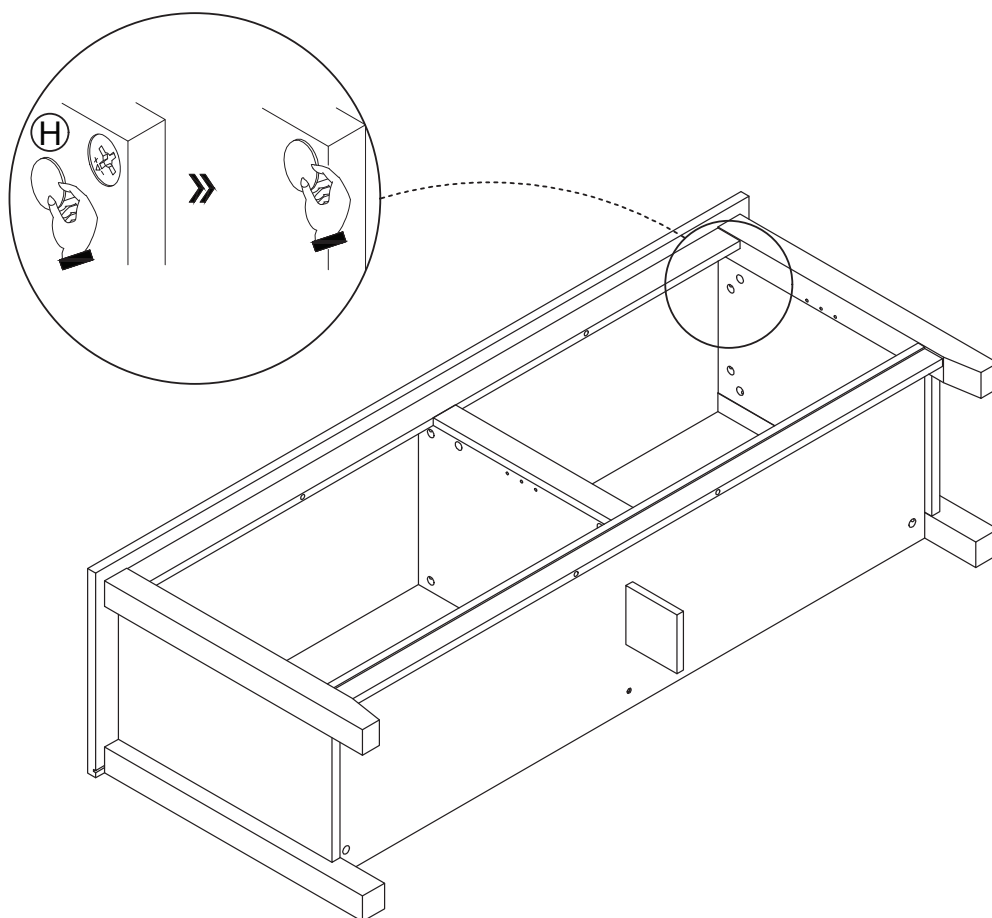


TV Stand

Assembly Instructions

14
STEP

1. Stick 22 x Cover (H) on all Cam Locks (C).



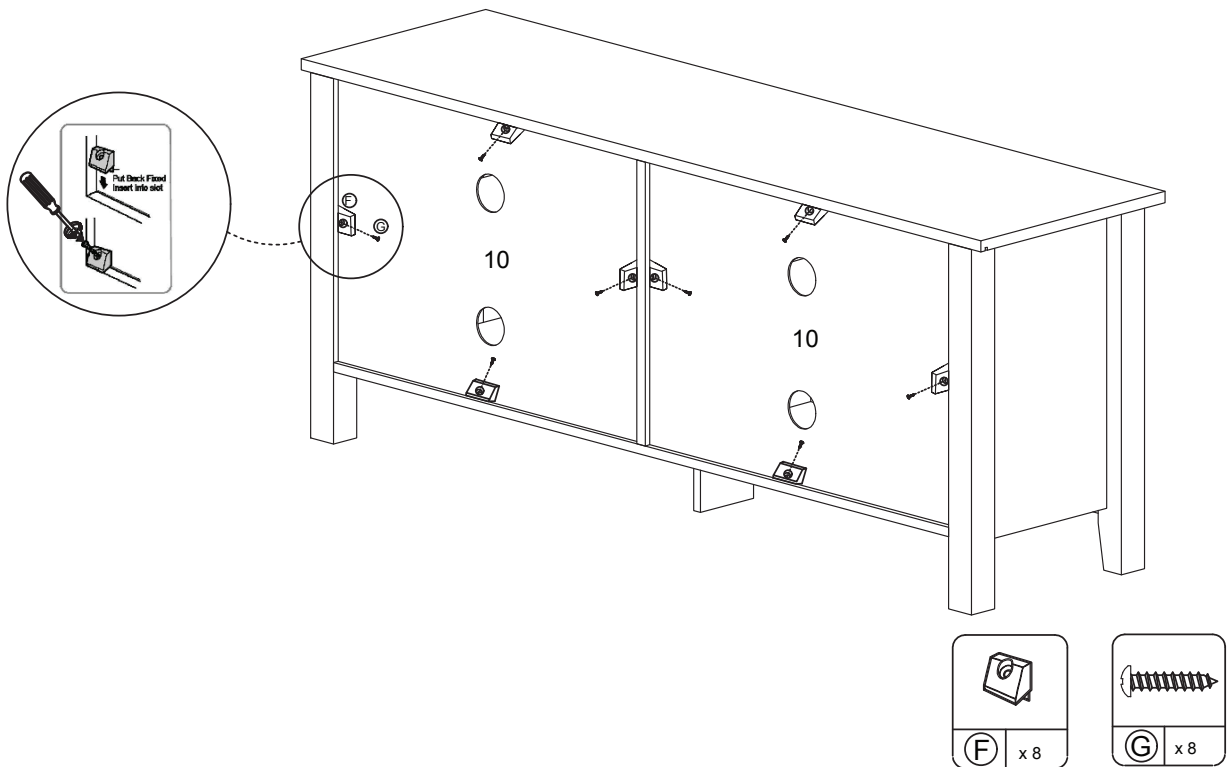
TV Stand

Assembly Instructions

15

STEP

1. Insert 8 x Plastic Fasteners (F) into grooves on back as below image. Use Small Screws (G) to tighten Plastic Fasteners (F) with a screwdriver.



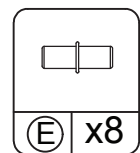
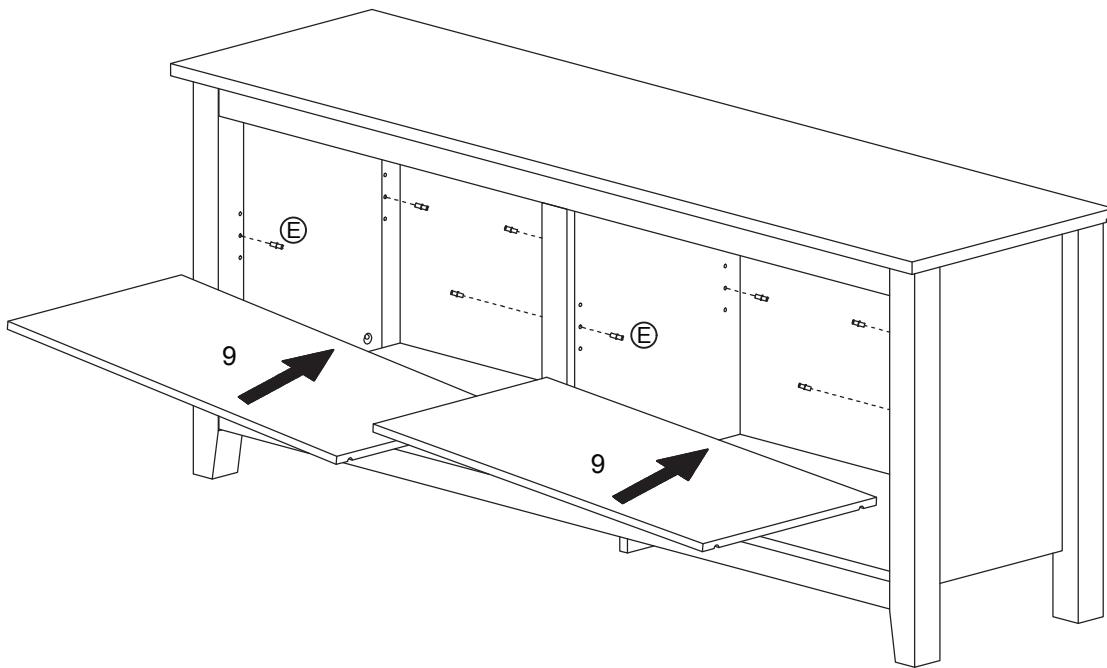
TV Stand

Assembly Instructions

16

STEP

1. Insert 8 x Shelf Holder (E) into the required position for the Shelf Panel (9).
2. Place Shelf Panel (9) on the Shelf Holder (E).

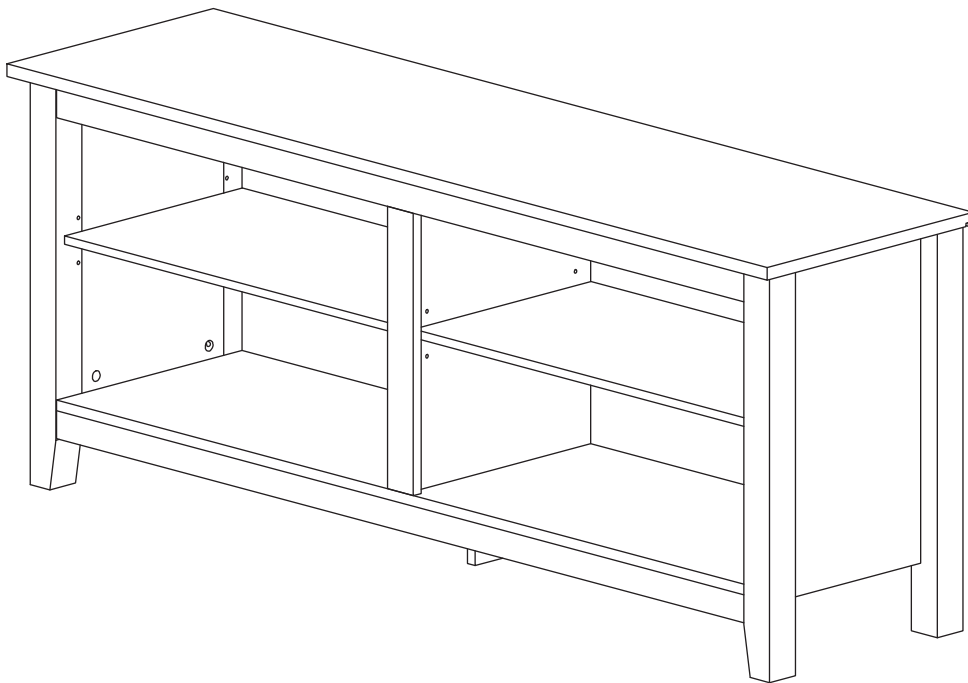


TV Stand

Assembly Instructions

17

STEP



Periodically (every 90 days) make sure that all screws are still fully tightened.
ATTENTION: Be certain that all screws are fully tightened before using this product.

Limited Warranty

The product you have purchased is warranted against defects in material and workmanship while owned by the "Original Purchaser." The term "Original Purchaser" is defined as the party or entity that purchases these products from an authorized dealer or retailer as shown by the original sales receipt. The warranty does not apply to "as is" or previously owned products.

The manufacturer warrants its products to be free from defects in materials and workmanship (normal wear and tear, fading and stretching excepted), for one year from the date of purchase, except as provided below under the limited warranty.

This warranty gives you specific rights, and you may also have other rights, which vary from state to state (or country to country). All warranties are limited to the Original Purchaser for normal use by a maximum of two users. Total weight capacity per chair is 250 pounds for a single user.

The exceptions or exclusions to this warranty are:

- Upholstery material and foam cushion material is warranted against defects in material and workmanship for a period of one year, beginning on the date of purchase as shown on the original sales receipt.
- Any warranty claim that is submitted after the limited warranty period, or without proper proof of purchase will not include the cost of parts, labor, or delivery on the warranted parts within a reasonable amount of time. We reserve the right to require damaged parts to be returned to us upon request. Natural markings such as scars, brands, grain variations, wrinkles, color variations, etc. will be considered normal characteristics and not construed as defects.
- For claims or questions concerning this warranty, please contact the Customer Service Department on the web at www.trueinnovations.com. Be prepared to provide your name, address, daytime phone number, the model and purchase order number of the product, date of purchase, and the store where it was purchased. The manufacturer requires that the original sales receipt be submitted with all requests to confirm that you are the Original Purchaser according to our written warranty.