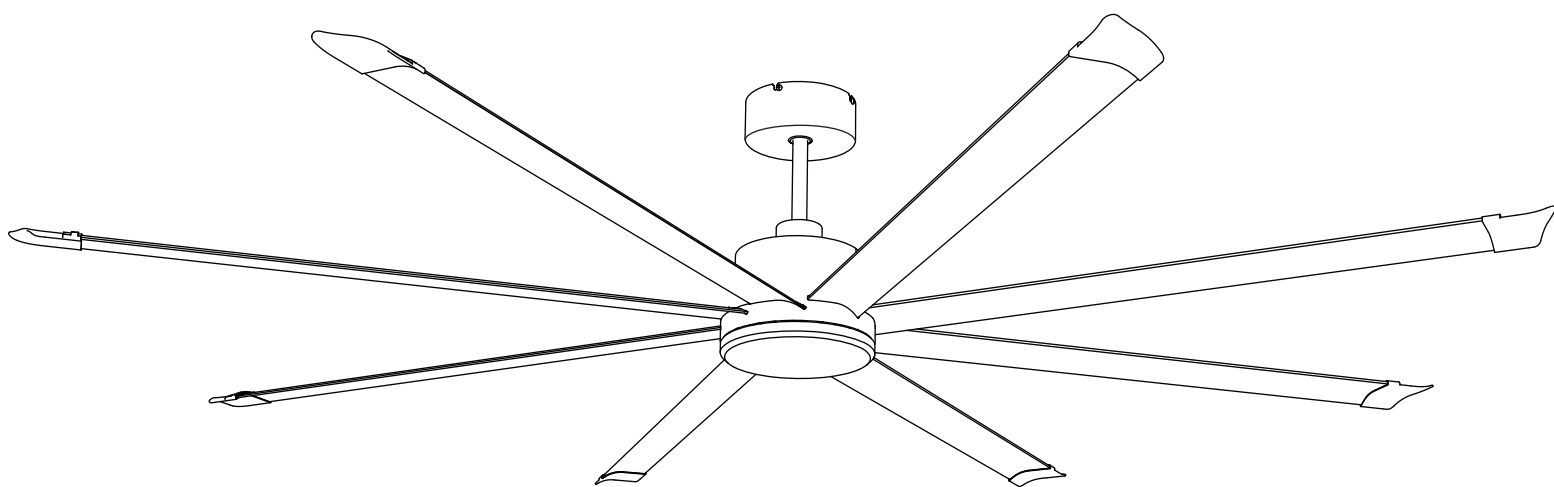


# CEILING FAN



USE AND CARE GUIDE

# CEILING FAN

# F8014 Installation

## Operating Instructions for the

**WARNING: SHUT POWER OFF AT FUSE OR CIRCUIT BREAKER**

### Safety Information

1. To reduce the risk of electric shock, the electricity has been turned off at the circuit breaker or fuse box before begin.
2. All wiring must be in accordance with the National Electrical Code NASI/NFPA 70-1999 and local electrical codes. Electrical installation should be performed by a qualified licensed electrician.
3. The outlet box and support structure must be securely mounted and capable of reliably supporting 35lb. (15.9kg). Use only UL listed outlet boxes marked "Acceptable for Fan Support of 35lbs(15.9kg)or less."
4. The fan must be mounted with a minimum of 7 ft. (2m) clearance from the trailing edge of the blades to the floor.
5. Do not operate the reversing switch while the fan blades are in motion. You must turn the fan off and stop the blades before you reverse the blade direction.
6. Do not place objects in the path of the blades.
7. To avoid personal injury or damage to the fan and other items, please be careful when working around or cleaning the fan.
8. Electrical diagrams are for reference only. Light kits that are not packed with the fan must be UL-listed and marked suitable for use with the model fan you are installing. Switches must be UL General Use Switches. Refer to the instructions packaged with the light kits and switches for proper assembly.
9. After making electrical connections, spliced conductors should be turned upward and pushed carefully up into the outlet box. The wires should be spread apart with the grounded conductor and the equipment-grounding conductor on one side of the outlet box.
10. All setscrews must be checked and retightened where necessary before installation.



**WARNING:** To reduce the risk of personal injury, do not bend the blade brackets (also referred to as flanges) during assembly or after installation. Do not insert objects in the path of the blades.



**WARNING:** Remove the rubber motor stops on the bottom of the fan before installing the blades or testing the motor.



**WARNING:** To reduce the risk of fire or electric shock, do not use this fan with any solid-state speed control device.



**WARNING:** To avoid possible electric shock, turn the electricity off at the main fuse box before wiring. If you feel you do not have enough electrical wiring knowledge or experience, contact a licensed electrician.



**WARNING:** To avoid possible electric shock, turn the electricity off at the main fuse box before wiring. If you feel you do not have enough electrical wiring knowledge or experience, contact a licensed electrician.



**WARNING:** Electrical diagrams are for reference only. Optional use of any light kit shall be UL-listed and marked suitable for use with this fan.



**WARNING:** To reduce the risk of fire, electric shock, or personal injury, mount to outlet box marked "Acceptable for fan support of 35 lbs. (15.9 kg) or less" and use the screws provided with the outlet box.

### TECHNICAL INFORMATION

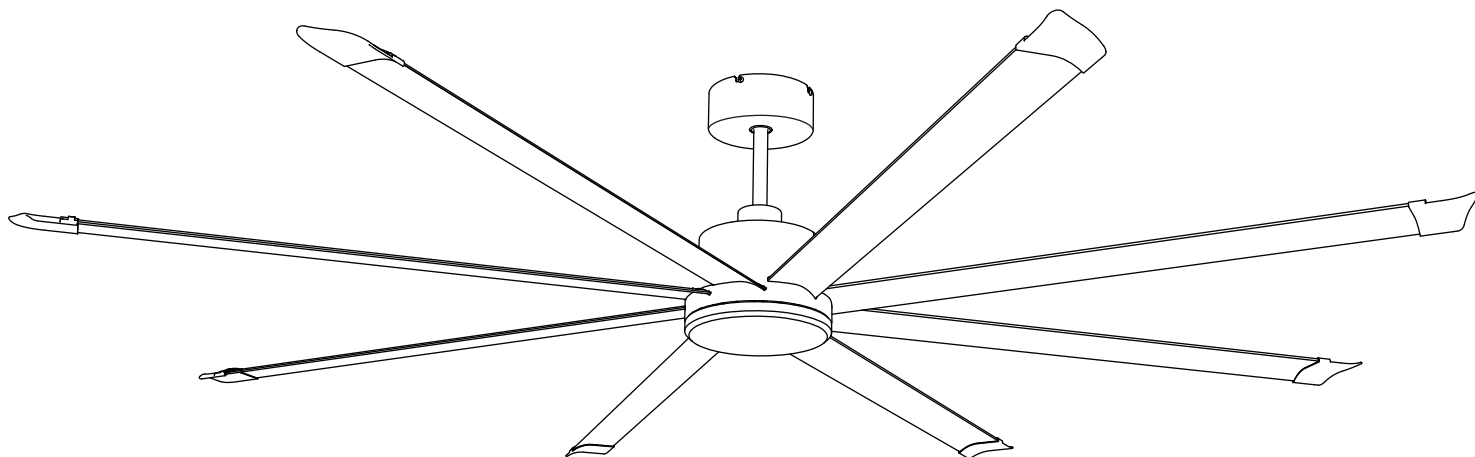
SKU	Nominal voltage	Nominal output(motor)	Light
F8014	120V/AC	98.8W	/

# CEILING FAN

# F8014 Installation

## Operating Instructions for the

**WARNING: SHUT POWER OFF AT FUSE OR CIRCUIT BREAKER**



### THANK YOU FOR YOUR PURCHASE

Thank you for purchasing this quality product. To ensure correct function and safety, please read and save all instructions before using the product

#### SAFETY TIP

1. To avoid possible electric shock, turn off the electricity at the main fuse box or circuit panel before you begin the fan installation or before servicing the fan or installing accessories.
2. Read all instructions and safety information carefully before installing your fan and save these instructions.
3. Make sure all electrical connections comply with local codes or ordinances and the National Electrical Code. If you are unfamiliar with electric wiring, please use a qualified and licensed electrician.
4. Make sure you have a location selected for your fan that allow clear space for the blades to rotate, and at least seven (7) feet of clearance between the floor and the fan blade tips. The fan should be mounted at least thirty (30) inches from walls or other upright structures.
5. **WARNING:** The outlet box and ceiling support joist used must be securely mounted, and capable of supporting at least 100 pounds. To reduce the risk of fire, electric shock or personal injury, mount to the outlet box marked acceptable for fan supported and use mounting screws provided with the outlet box. The box must be supported directly by the building structure.
6. **WARNING:** To reduce the risk of fire, electric shock or personal injury, mount to outlet box marked "acceptable for fan support" and use mountingscrews provided with the outlet box most outlet boxes commonly used for the support of lighting fixtures are not acceptable for fan support and may need to be replaced. Consult a qualified electrician if in doubt.
7. Electrical diagrams are for reference only. Light kits that are not packed with the fan must UL listed and marked suitable for use with the model fan you are installing. Switches must be UL general use switches. Refer to the instructions packaged with the light kits and switches for proper assembly.
8. After installation is complete, check that all connections are absolutely secure.
9. After making electrical connections, spliced conductors should be turned upward and pushed carefully up into outlet box. The wires should be spread apart with the grounded conductor and the equipment-grounding conductor on one side of the outlet box.
10. **WARNING:** To reduce the risk of electrical shock and fire, do not use this fan with any solid-state fan speed control device, or rheostat.
11. Do not separate the reverse switch until the fan has come to a complete stop.
12. Do not insert anything into the fan blades while they are rotating.
13. **WARNING:** To reduce the risk of personal injury, do not bend the blade brackets (also referred to as "flanges") during assembly or after installation. Do not insert objects in the path of the blades.
14. To avoid personal injury or damage to the fan and other items, be cautious when working around or cleaning the fan.
15. Do not use water or detergent when cleaning the fan or fan blades. A dry dust cloth or lightly dampened cloth will be suitable for most cleaning.

**NOTE:** The important safety precautions and instructions appearing in the manual are not meant to cover all possible conditions and situations that may

occur. It must be understood that common sense and caution are necessary factors in the installation and operation of this fan.

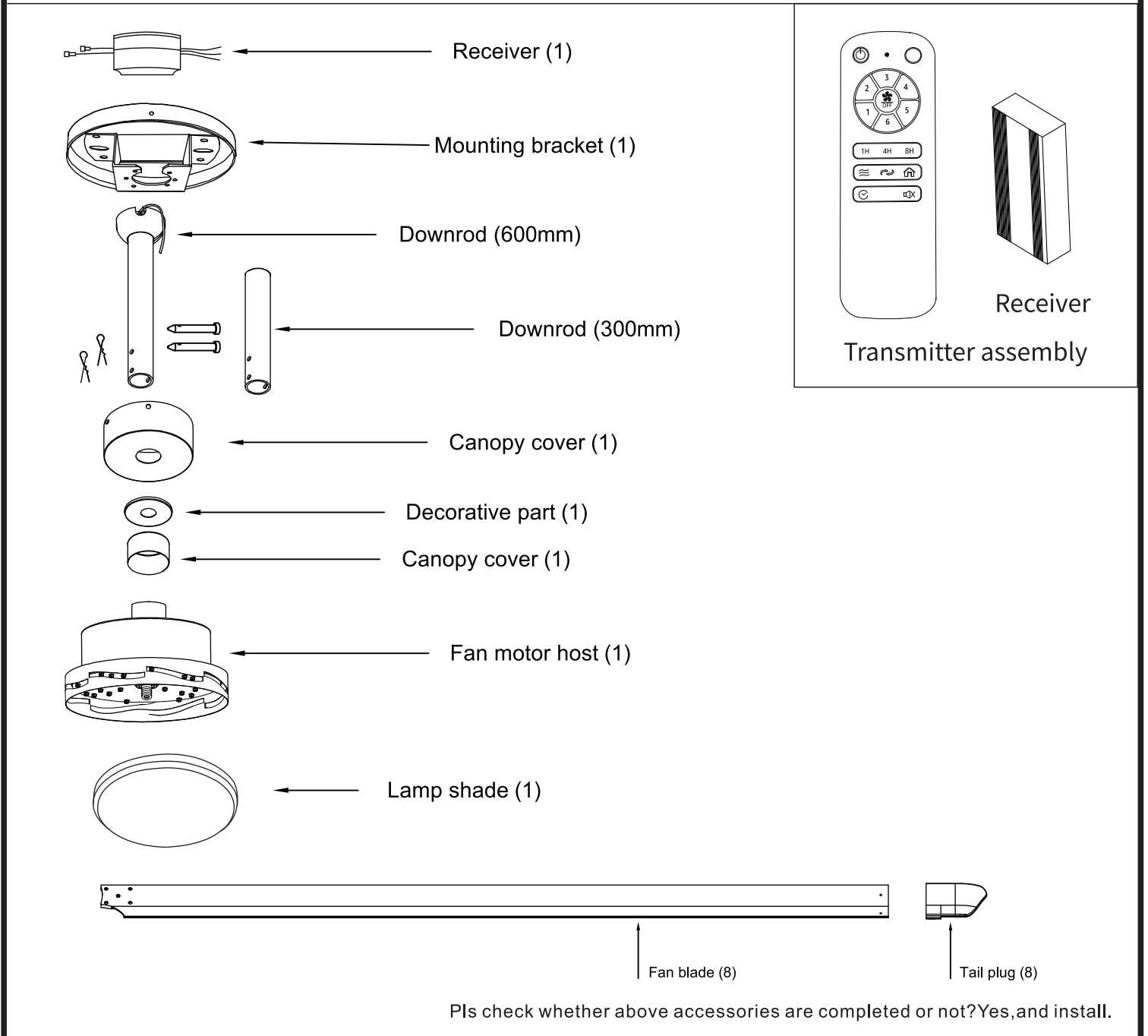
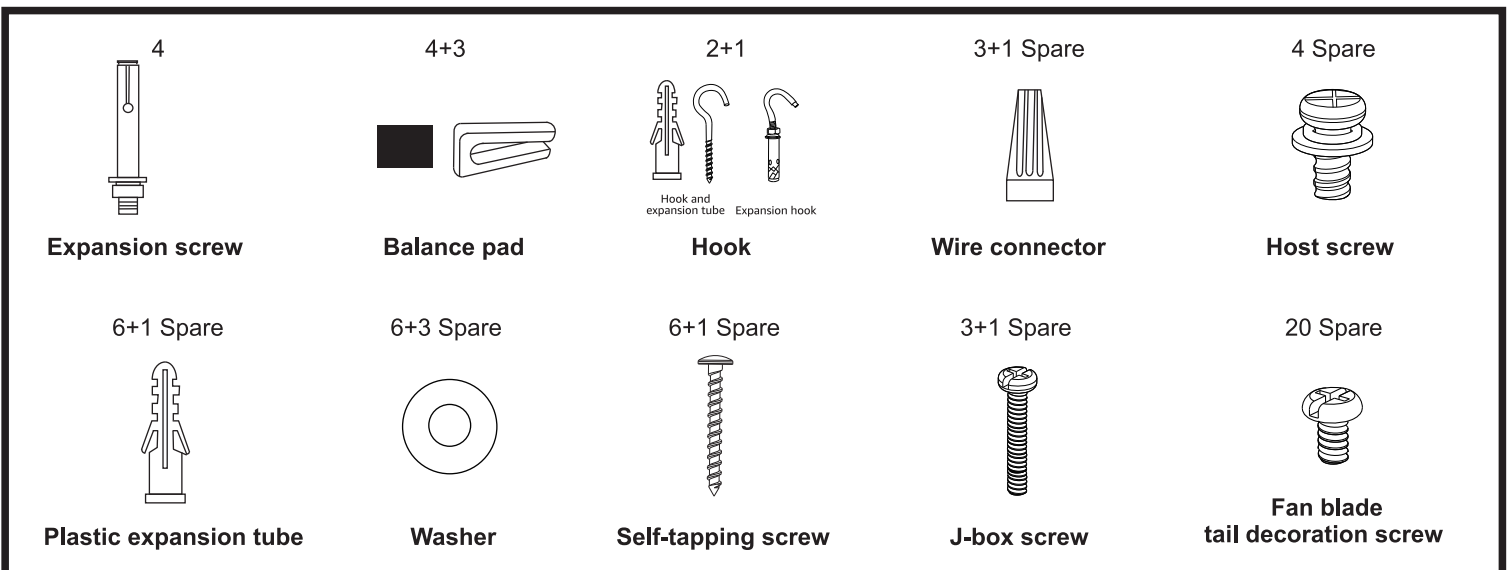
**NOTE:** This product is not intended for use by persons (including children) with reduced physical, sensory or mental capabilities are different or are impaired, or lack of experience or knowledge, unless such persons are supervised or trained to operate the appliance by a person responsible for their safety.

# CEILING FAN

# F8014 Installation

## Operating Instructions for the

**WARNING: SHUT POWER OFF AT FUSE OR CIRCUIT BREAKER**



# CEILING FAN

# F8014

## Installation

### Operating Instructions for the

**WARNING: SHUT POWER OFF AT FUSE OR CIRCUIT BREAKER**

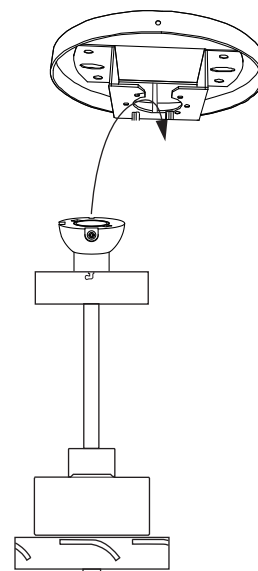
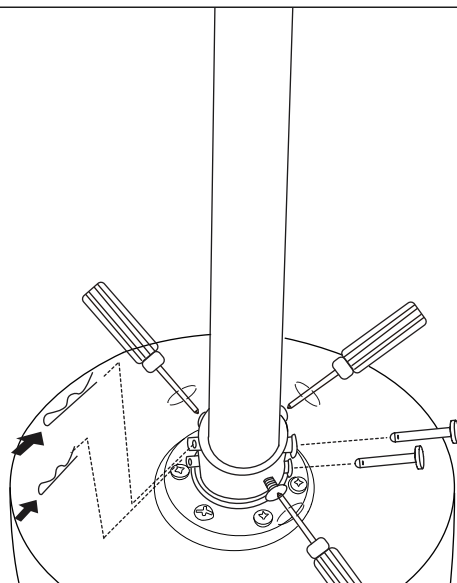
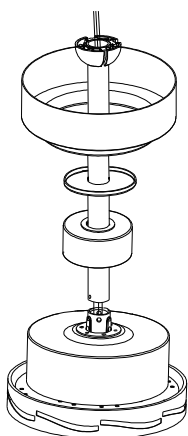
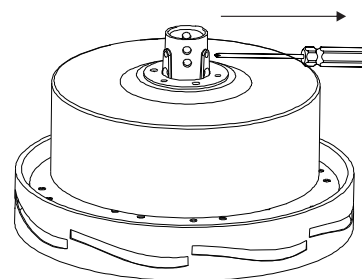
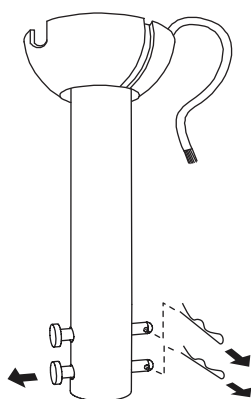
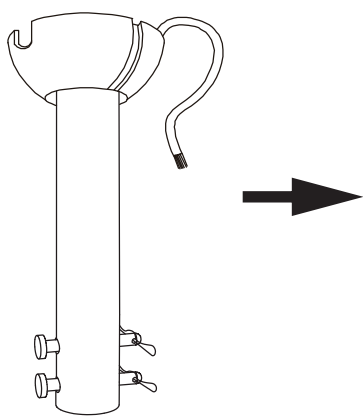
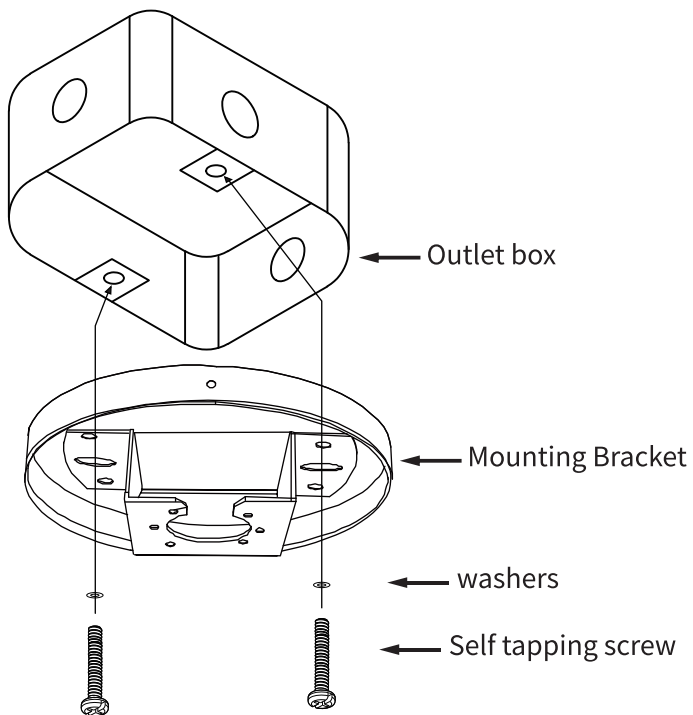
#### 1 Attaching the fan to the electrical box



**WARNING:** To reduce the risk of fire, electric shock or personal injury, mount to an outlet box marked "Acceptable for fan support of 35 lbs. (15.9kg) or less," and use the screws provided with the outlet box.



**NOTE:** The mounting bracket (A) is designed to slide into place on an outlet box with the outlet box screws (LL).



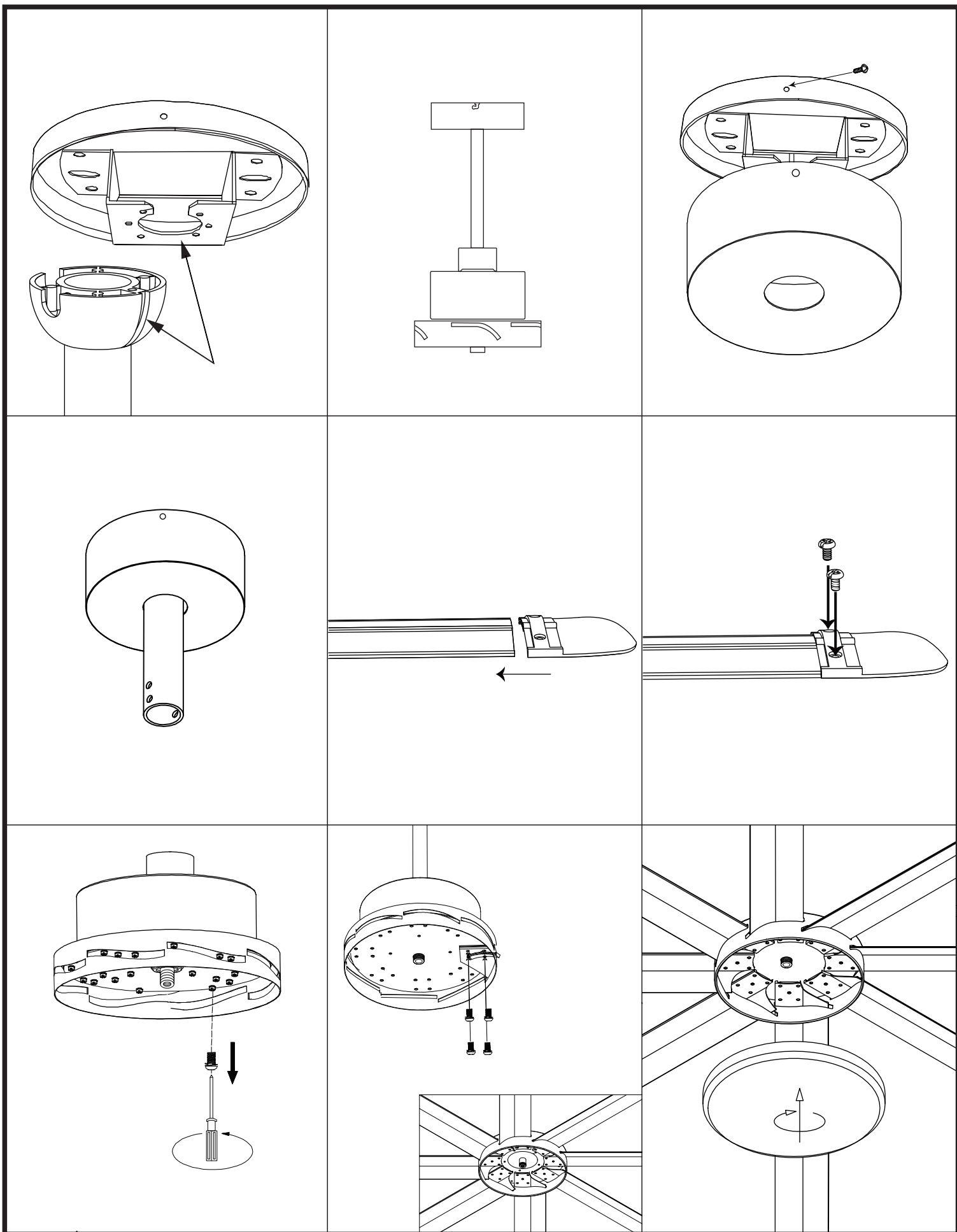
# CEILING FAN

# F8014

## Installation

### Operating Instructions for the

**WARNING: SHUT POWER OFF AT FUSE OR CIRCUIT BREAKER**



# CEILING FAN

**F8014**  
Installation

Operating Instructions for the

WARNING: SHUT POWER OFF AT FUSE OR CIRCUIT BREAKER

## INSTALLING RECEIVER IN CEILING FAN

### A. Safety precautions:

**WARNING: HIGH VOLTAGE!** Disconnect power by removing fuse or switching off circuit breaker  
Do not use with solid state fans.

Electrical wire must meet all local and national electrical code requirements.

Supply for fan must be 110/120 volt, 60Hz.

Maximum fan motor amps: 1.0. Maximum light watts: 180 incandescent or ballast and LED.

Otherwise power can cause serious injury or death.

### B. Installing receiver in fan:

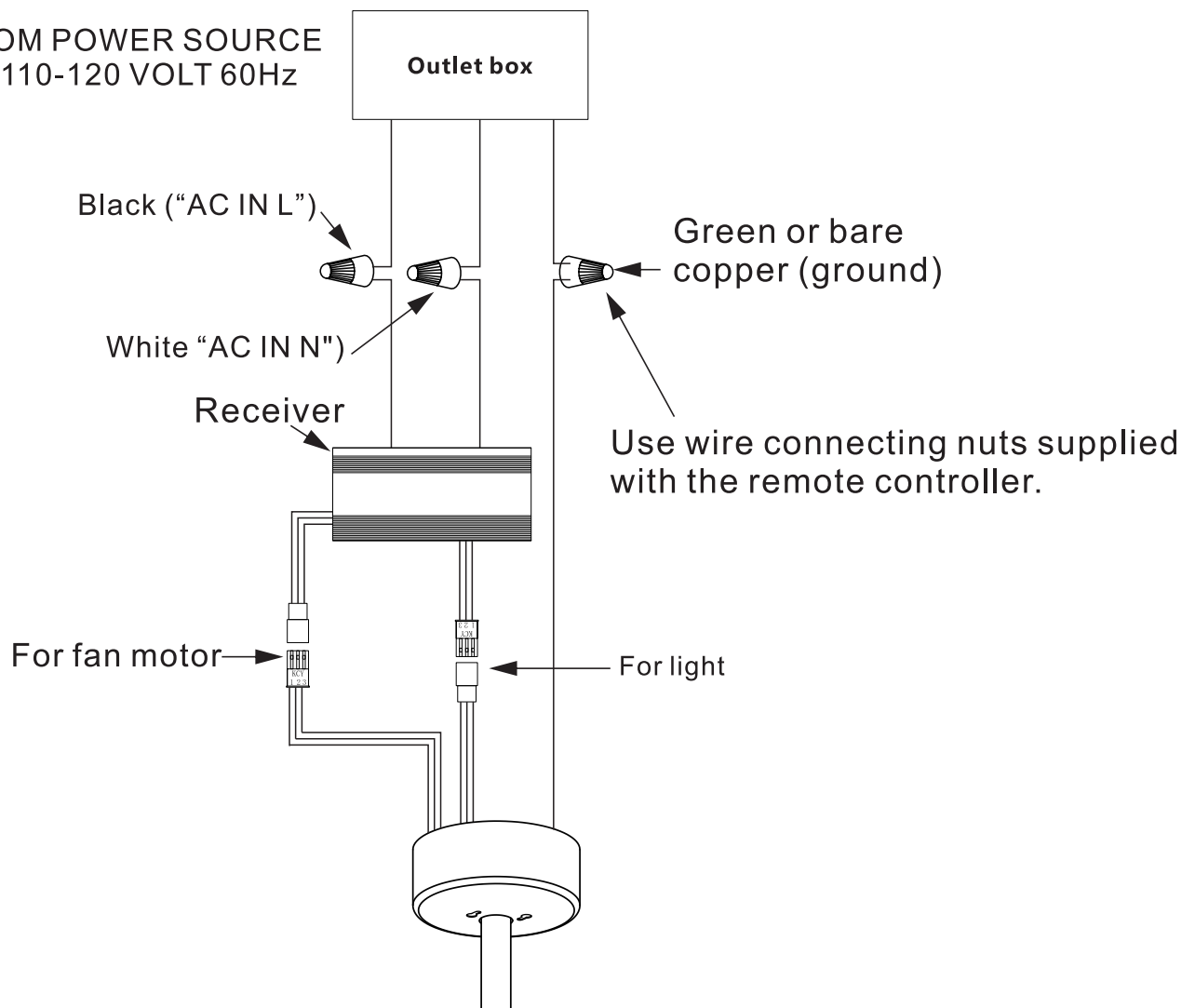
a. Remove power from the circuit.

b. Remove ceiling fan canopy from the mounting bracket.

c. Disconnect existing wiring between ceiling fan and supply in electrical junction box.

d. Make connections as follows, using the wire nuts supplied:

FROM POWER SOURCE  
AC 110-120 VOLT 60Hz



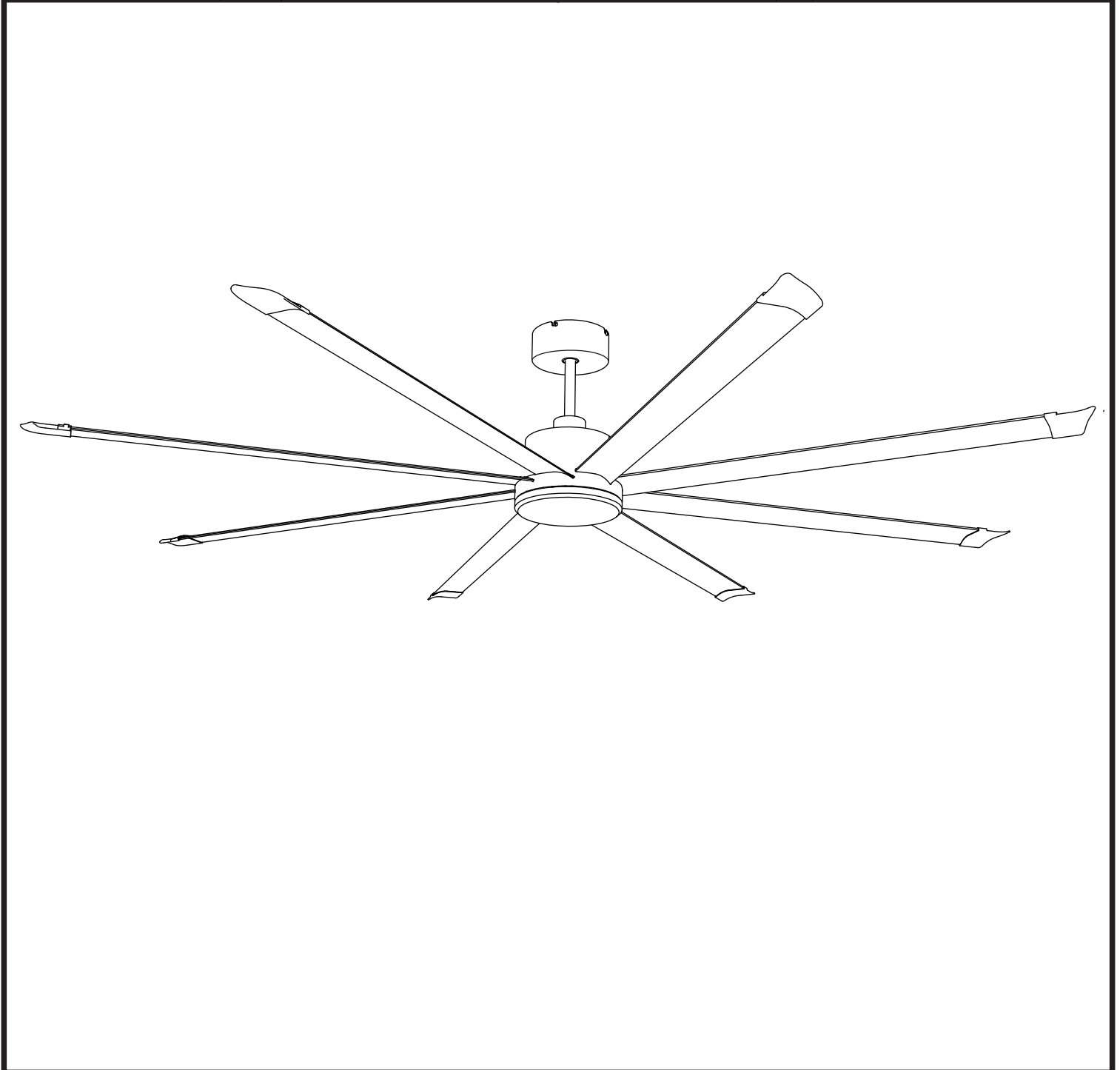
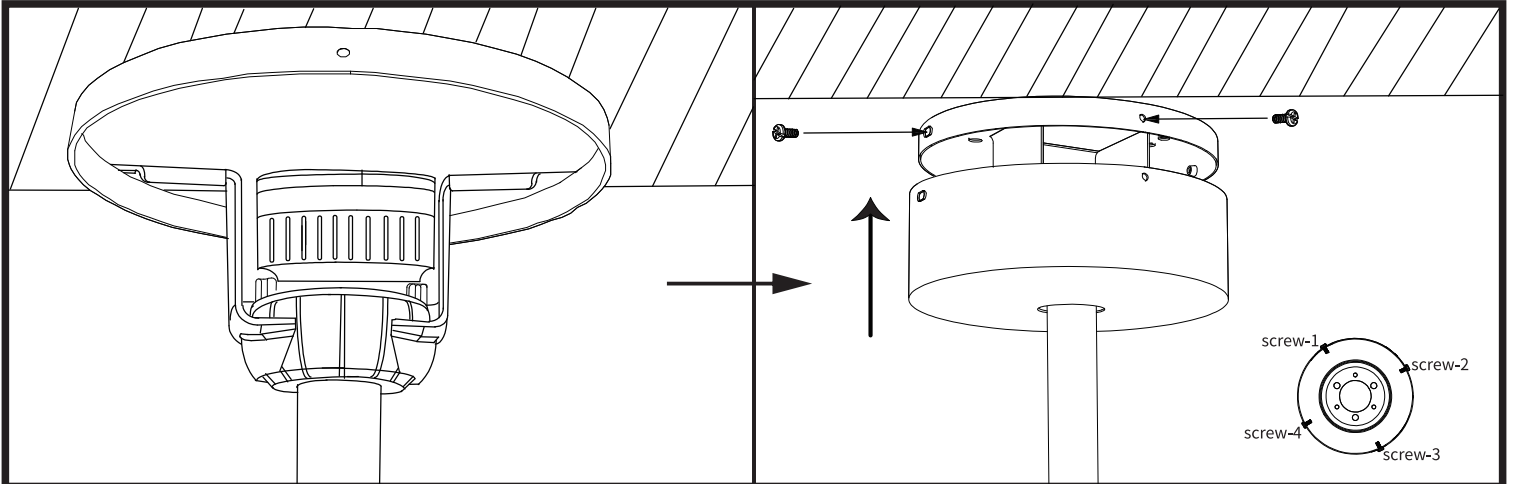
# CEILING FAN

# F8014

## Installation

### Operating Instructions for the

**WARNING: SHUT POWER OFF AT FUSE OR CIRCUIT BREAKER**

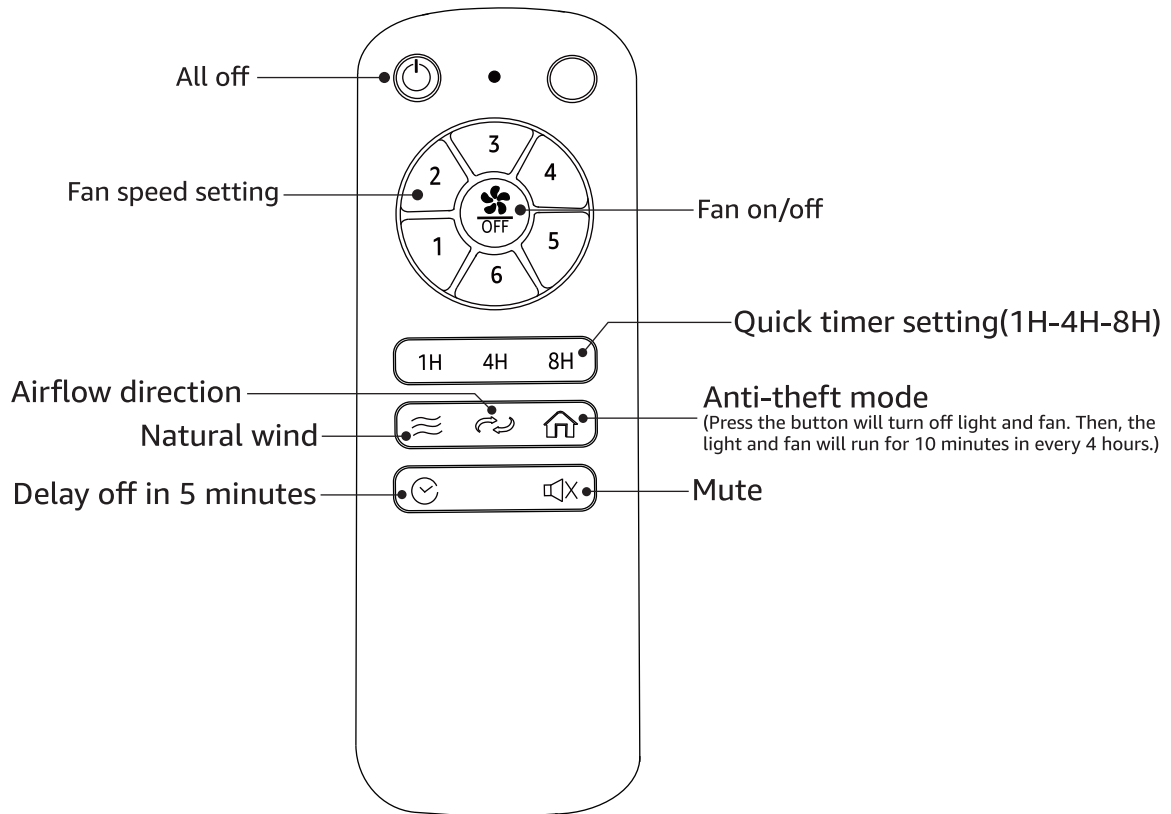


# CEILING FAN

# F8014 Installation

## Operating Instructions for the


**WARNING: SHUT POWER OFF AT FUSE OR CIRCUIT BREAKER**



### Pairing method:(single/multiple fans)

The remote control transmitter can be used to control multiple receivers.

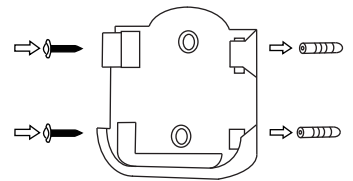
1. Wall switch power off the fan light for 60 seconds.

2. Power on the fan light. Once the light is on, within 3 seconds, press and hold  button until you hear a beep or see the light flash.

To operate the fan, please install 2 AAA batteries (included) in the handheld remote transmitters. If the pairing process is unsuccessful, repeat above steps.

### Installing Wall Plate :

Attach the wall plate using the two provided screws.



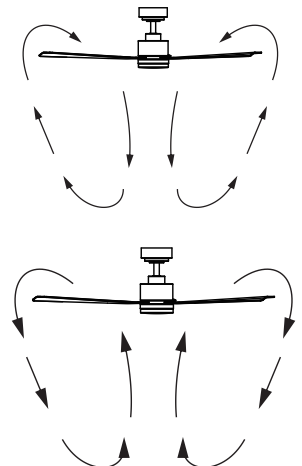
### Fan reverse button

**Warm weather-(Forward)** A downward airflow creates a cooling effect as shown in This allows you to set your air conditioner on a warmer setting without affecting your comfort.

**Cool weather-(Reverse)** An upward airflow moves warm air off the ceiling area as shown in This allows you to set your heating unit on a cooler setting without affecting your comfort.

**NOTE:** To operate the reverse function on this fan, press the reverse button while the fan is running at any speed.

Speed settings for warm or cool weather depend on factors such as the room size. Ceiling height, number of fans and so on.



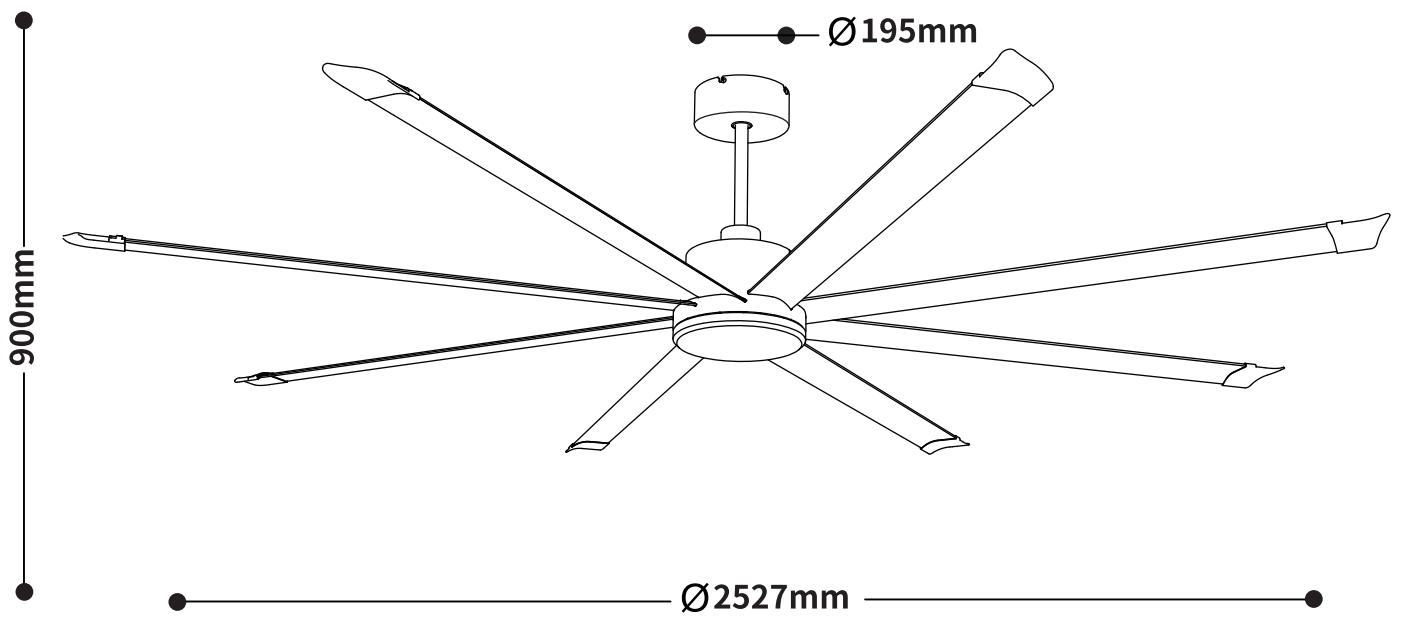
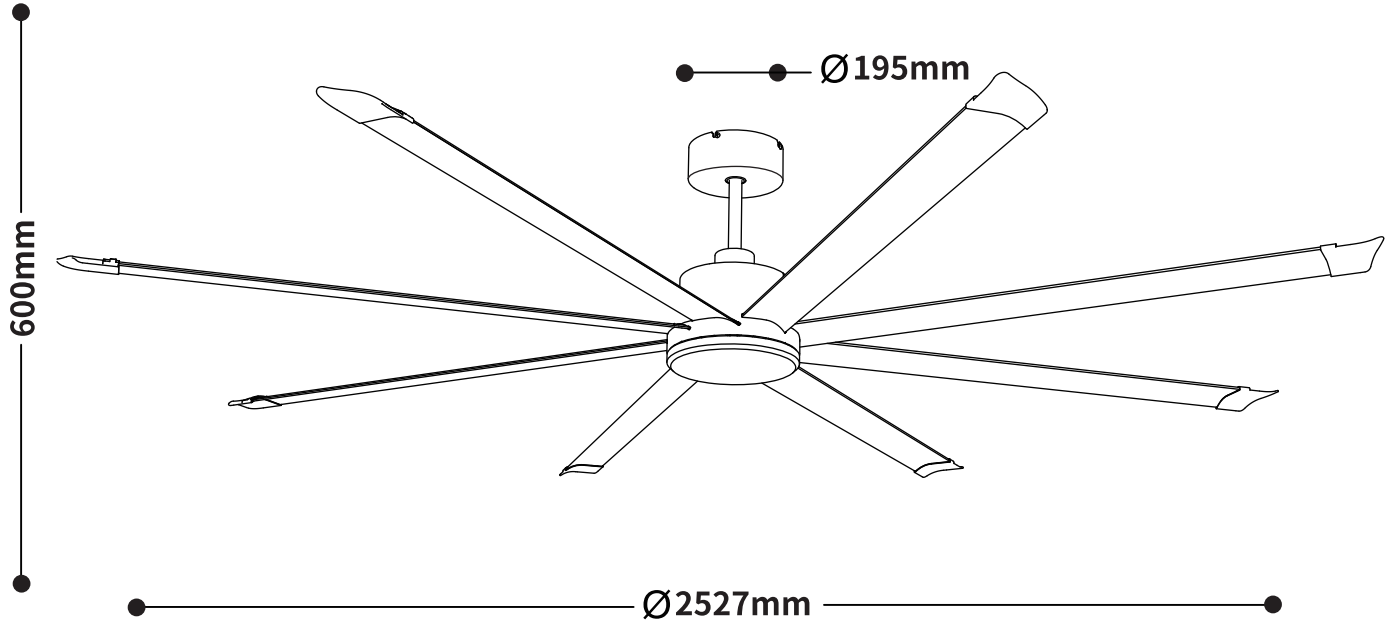
# CEILING FAN

## F8014

### Installation

### Operating Instructions for the

WARNING: SHUT POWER OFF AT FUSE OR CIRCUIT BREAKER



# TROUBLESHOOTING GUIDE

## Table of Contents

- 1. Fan / Remote is not working
- 2. Fan is noisy
- 3. Fan Wobbles

*Please refer to the instruction sheet for detailed directions and descriptions of installation steps and requirements.*

## 1. FAN / REMOTE IS NOT WORKING

### Ensure the remote is within the 20 foot range of the receiver

To reset the remote control: 1) Turn off power to fan using the wall switch or circuit breaker. 2) Remove batteries from remote. 3) Wait 10 seconds. 4) Replace batteries and turn power on

Check batteries to insure they are good and oriented correctly

Check the main and branch circuit fuses or breakers

If using a Variable Speed Wall Switch, ensure it is specifically designed for use with a ceiling fan.

Check the line wire connections to the fan and the switch wire connections in the switch housing per the instructions

If fan still does not work, please contact Customer Service Support@ parrotuncle.com

## 2. THE FAN IS NOISY

Make sure all motor housing screws are tightened

Make sure the screws that attach fan blade to motor are tight

Make sure the wire nut connectors are not rattling against each other or the interior wall of the switch housing

Allow 24-hour break in period. Most noises associated with the new fan may disappear during this time

If using a ceiling light kit, make sure the glassware is secured tightly

Make sure there is a short distance/gap from the ceiling to the top of the canopy. The canopy should not touch the ceiling!

Make sure your ceiling box is secure and that the rubber isolator pads are used between the mounting bracket and outlet box

# CEILING FAN

# F8014

## Installation

## Operating Instructions for the

**WARNING: SHUT POWER OFF AT FUSE OR CIRCUIT BREAKER**

### 1. FAN / REMOTE IS NOT WORKING

Verify all blades and blade bracket screws are secure (most fan wobble problems are caused by loose parts). Once fan is properly installed, run the ceiling fan for 10 minutes to let the fan self-adjust.

If wobble occurs at or running the fan for 10 minutes, verify blade level using the following process:

a) select a point on the ceiling above the tip of one of the blades. Then select the fan blade and measure from the center of the selected blade to point on the ceiling. Rotate the fan until the next blade is positioned and repeat the measurement using the same point from the ceiling for every blade. Measurements should be within 1/8 inch.

b) If all deviation are less than 1/8 inch and the fan continues to wobble, please contact Customer Service Support® [parrotunde.com](http://parrotunde.com) to order a complimentary Blade Balancing Kit

-If all deviations are less than 1/8 inch and the fan continues to wobble, please contact Customer Service Support® [parrotunde.com](http://parrotunde.com) to order a complimentary Blade Balancing Kit

# CEILING FAN

# F8014

## Installation

## Operating Instructions for the

**WARNING: SHUT POWER OFF AT FUSE OR CIRCUIT BREAKER**

### AFTER INSTALLATION

#### WOBBLE

The fan blades have been adjusted in the factory to minimize any wobble

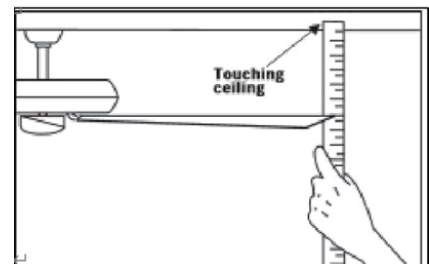
**NOTE: CEILING FANS TEND TO MOVE DURING OPERATION DUE TO THE FACT THAT THEY ARE MOUNTED ON A RUBBER CROMMET. IF THE FAN WAS MOUNTED RIGIDLY TO THE CEILING, IT WOULD CAUSE EXCESS VIBRATION. MOVEMENT OF A FEW CENTIMENTERS IS QUITE ACCEPTABLE AND DOES NOT SUGGEST ANY PROBLEM**

**TO REDUCE THE FAN WOBBLE: PLEASE CHECK THAT ALL SCREWS WHICH SECURED THE MOLNTINGBRACKET AND DOWNROD ARE SECURE.**

#### BALANCING A WOBBLING CEILING FAN:

For your convenience, a Balancing Kit is included; please follow this procedure when balancing the fan:

1. Check that all blade and blade arm screws are secure.
2. Most fan wobbling problems are caused when blade levels are unequal. Check this level by selecting a point on the ceiling above the tip of one of the blades. Measure this distance. Rotate the fan until the next blade is positioned for measurement. Repeat for each blade. The distance deviation should be equal within 1/8" (0.32cm). Teuching
3. Use the enclosed Blade Balancing Kit if the bladeeeiling wobble is still noticeable.
4. If the blade wobble is still noticeable, interchanging two adjacent (side by side) blades can redistribute the weight and possibly result in smoother operation.



**WARNING: TO REDUCE THE RISK OF PERSONAL INJURY, Do NOT BEND THE BLADE ARM WHILE INSTALLING, BALANCING THE BLADES, OR CLEANING THE FAN. DO NOT INSERT FOREIGN OBJECTS BETWEEN ROTATING FAN BLADES.**

#### NOISE

When it is quiet (especially at night) you may hear occasional small noises. This is normal. Please allow a 24-hour "breaking-in" period, most noises associated with a new fan disappear during the time.

#### CARE AND CLEANING

1. Periodic cleaning of your ceiling fan is the only maintenance required. Use a soft brush or lint free cloth to avoid scratching the paint finish.

Please make sure to turn off electricity power before you clean your fan

2. Do not use water when cleaning your ceiling fan. It could damage the motor or the blade and create the possibility of an electrical shock.

3. Motor has permanently lubricated ball bearing. No need to oil

**NOTE: MAKE SURE THE POWER IS OFF AT THE ELECTRICAL PANEL BOX BEFORE YOU ATTEMPT ANY CLEANING OR REPAIRS.**