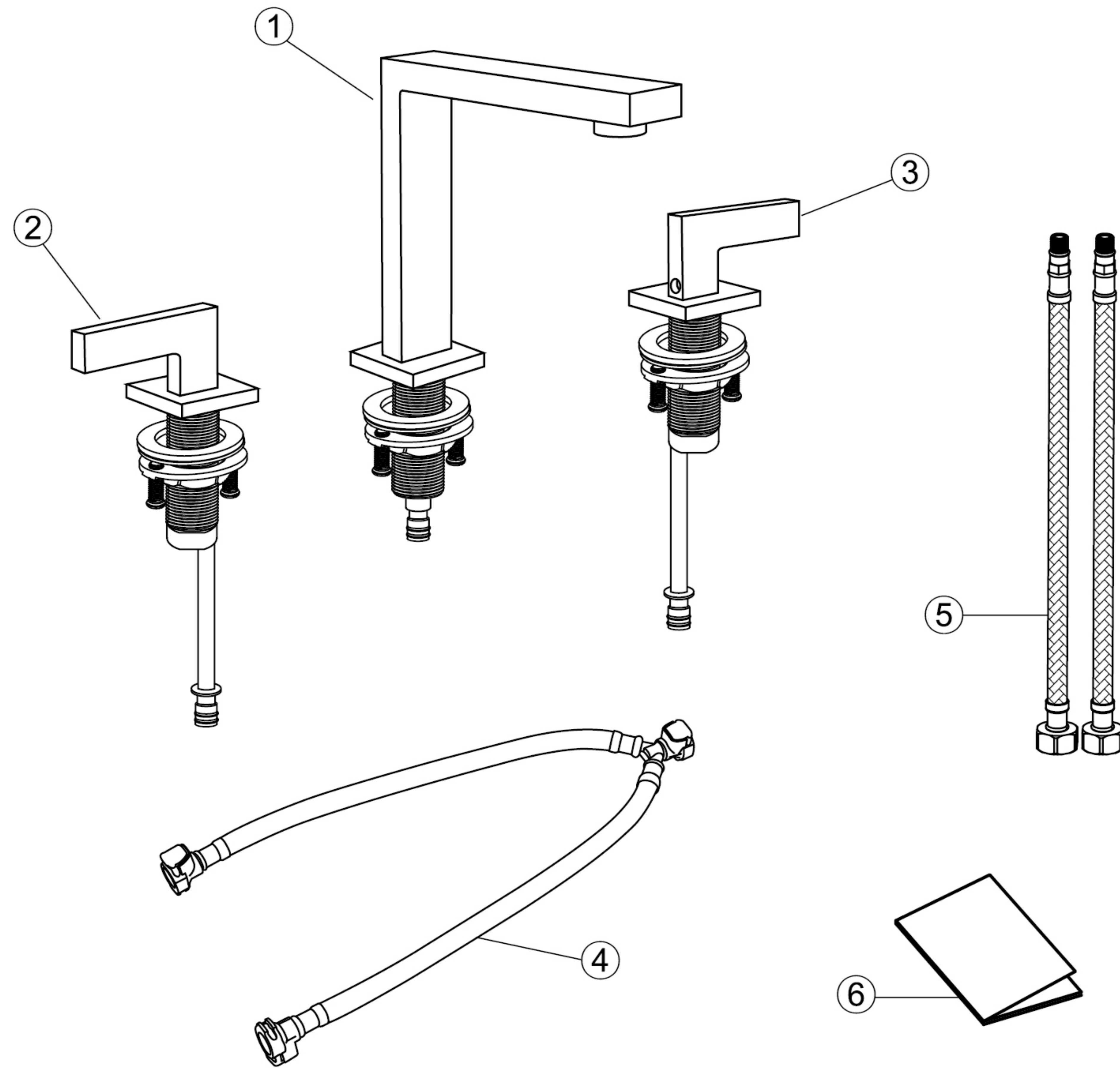


INSTALLATION INSTRUCTIONS



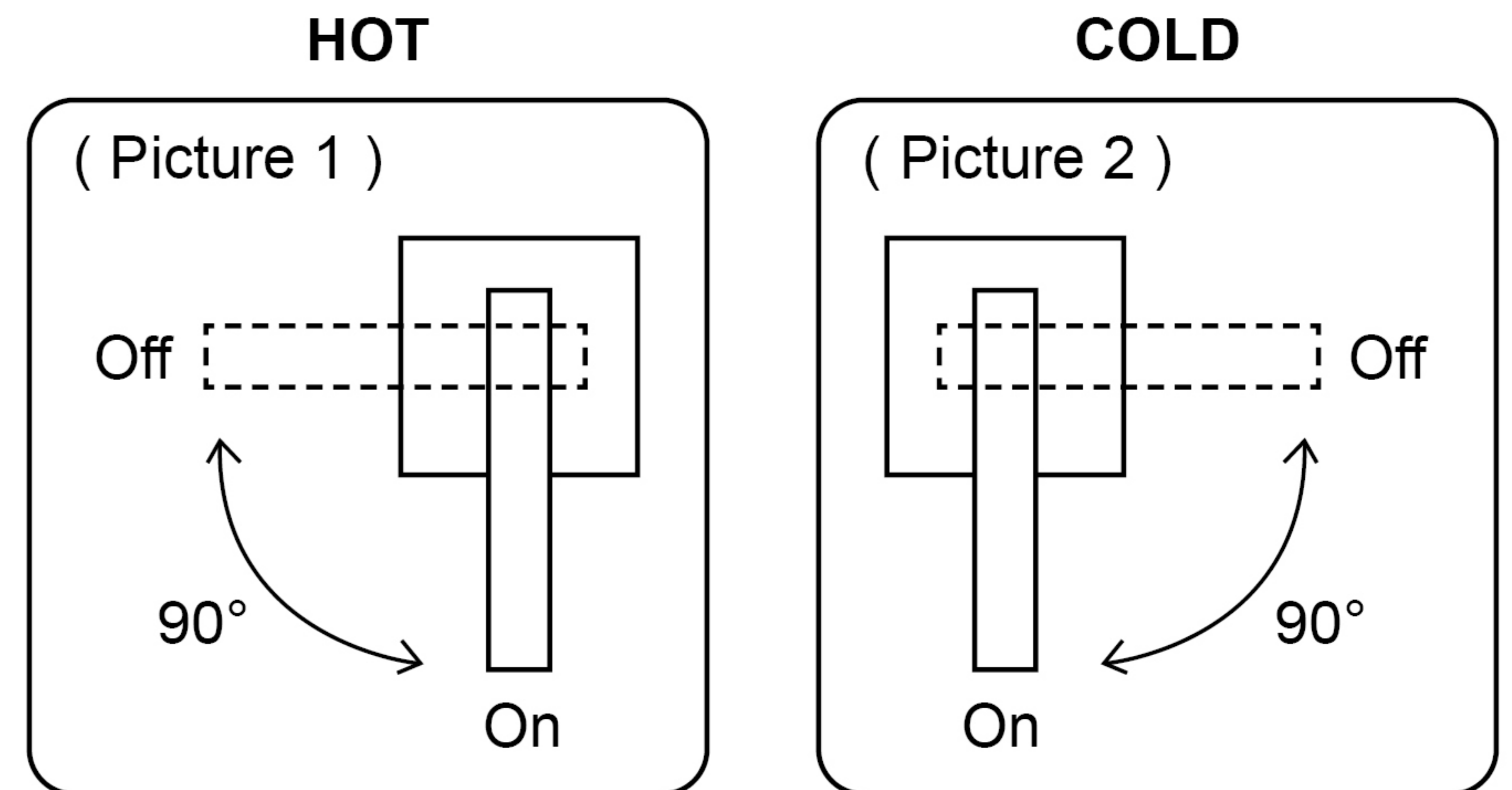
Parts list

NO	PART NAME	QTY	NO	PART NAME	QTY
①	Spout Parts	1	④	Quick Connector Hose	1
②	Hot Water Lever Parts	1	⑤	Water Supply Hose	2
③	Cold Water Lever Parts	1	⑥	Instructions	1

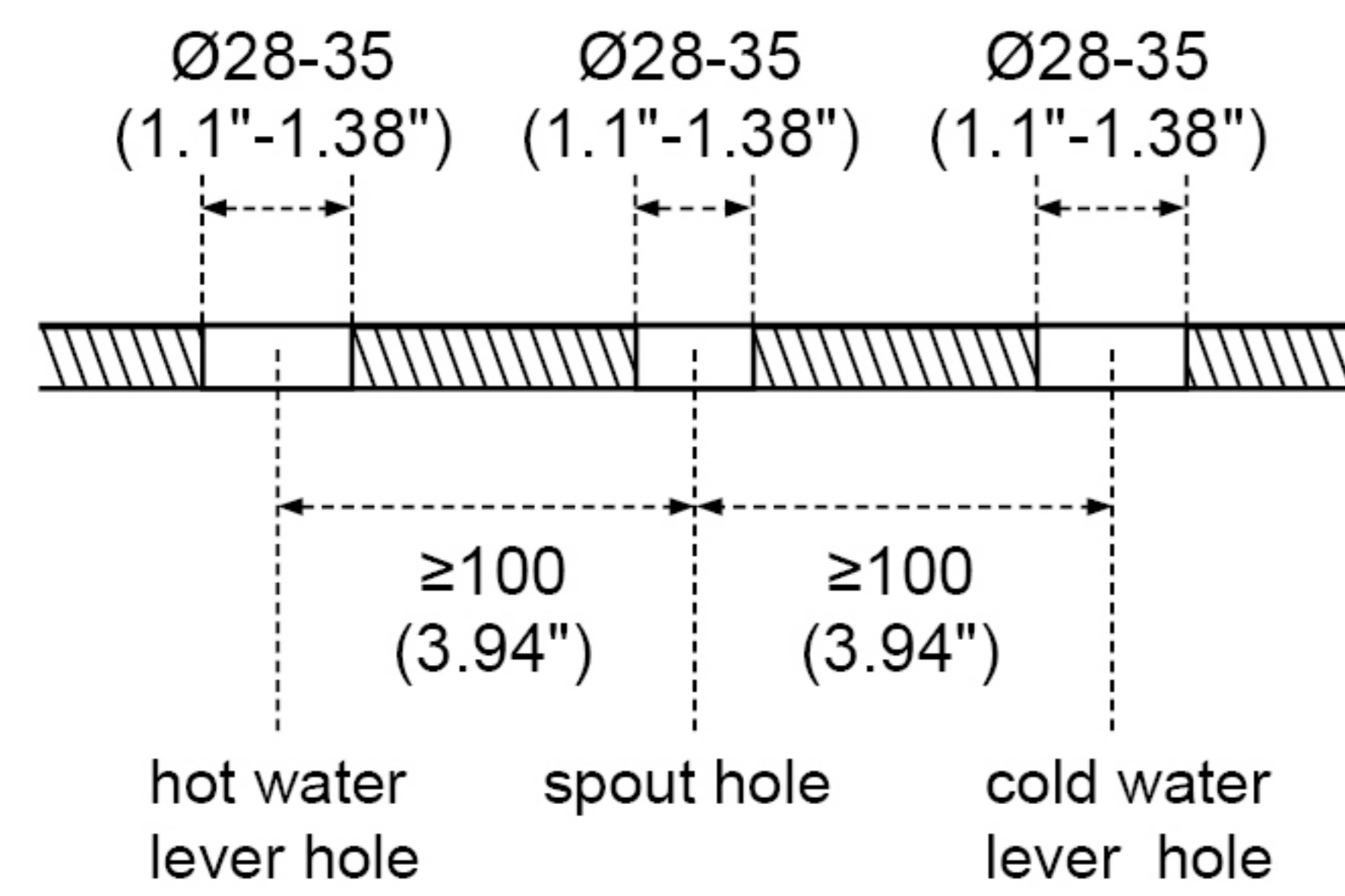
Instructions for use

1. Turn left lever counterclockwise to turn on hot water. The greater the lever angle, the greater the water flow; Conversely, the smaller the lever angle, the smaller the water flow, until it is closed.

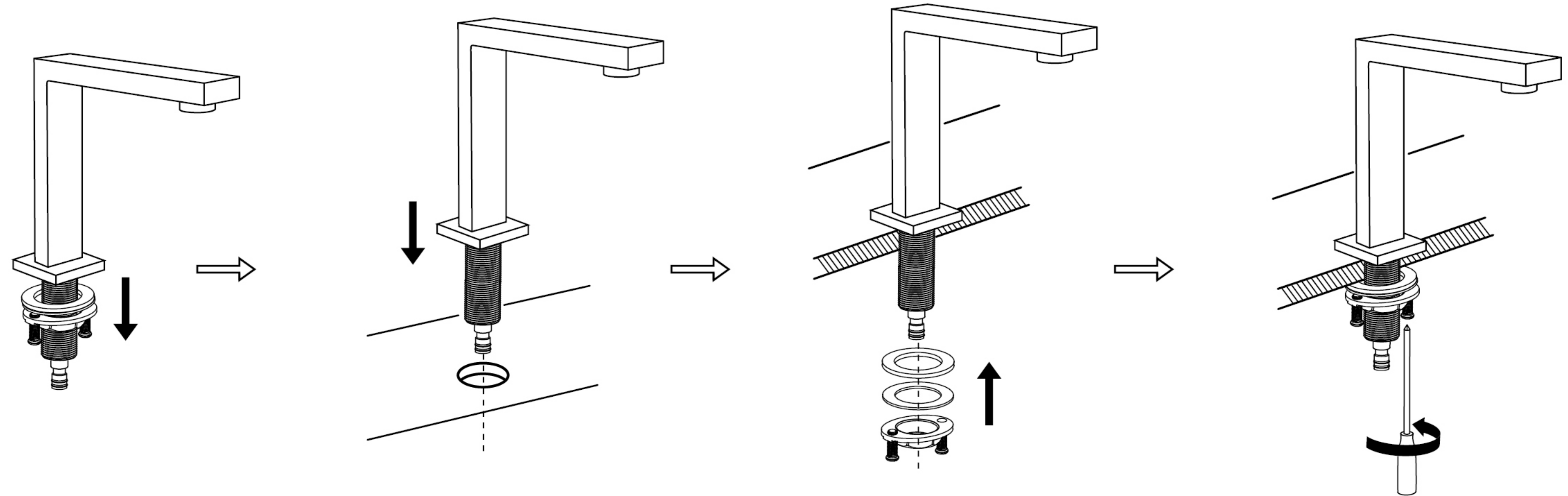
2. Turn right lever clockwise to turn on cold water. The greater the lever angle, the greater the water flow; Conversely, the smaller the lever angle, the smaller the water flow, until it is closed.



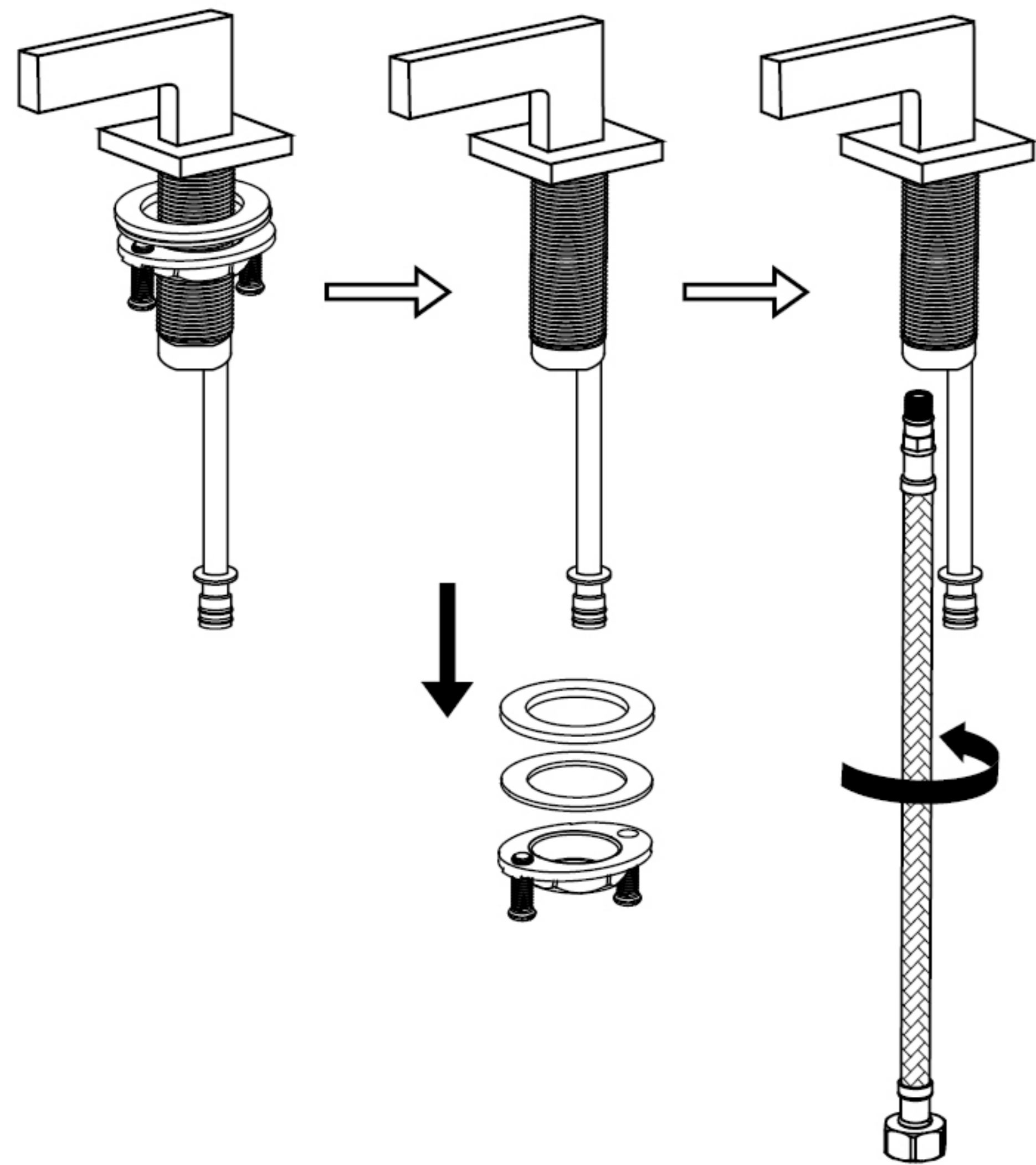
Recommended opening
holes size: (unit: mm / inch)



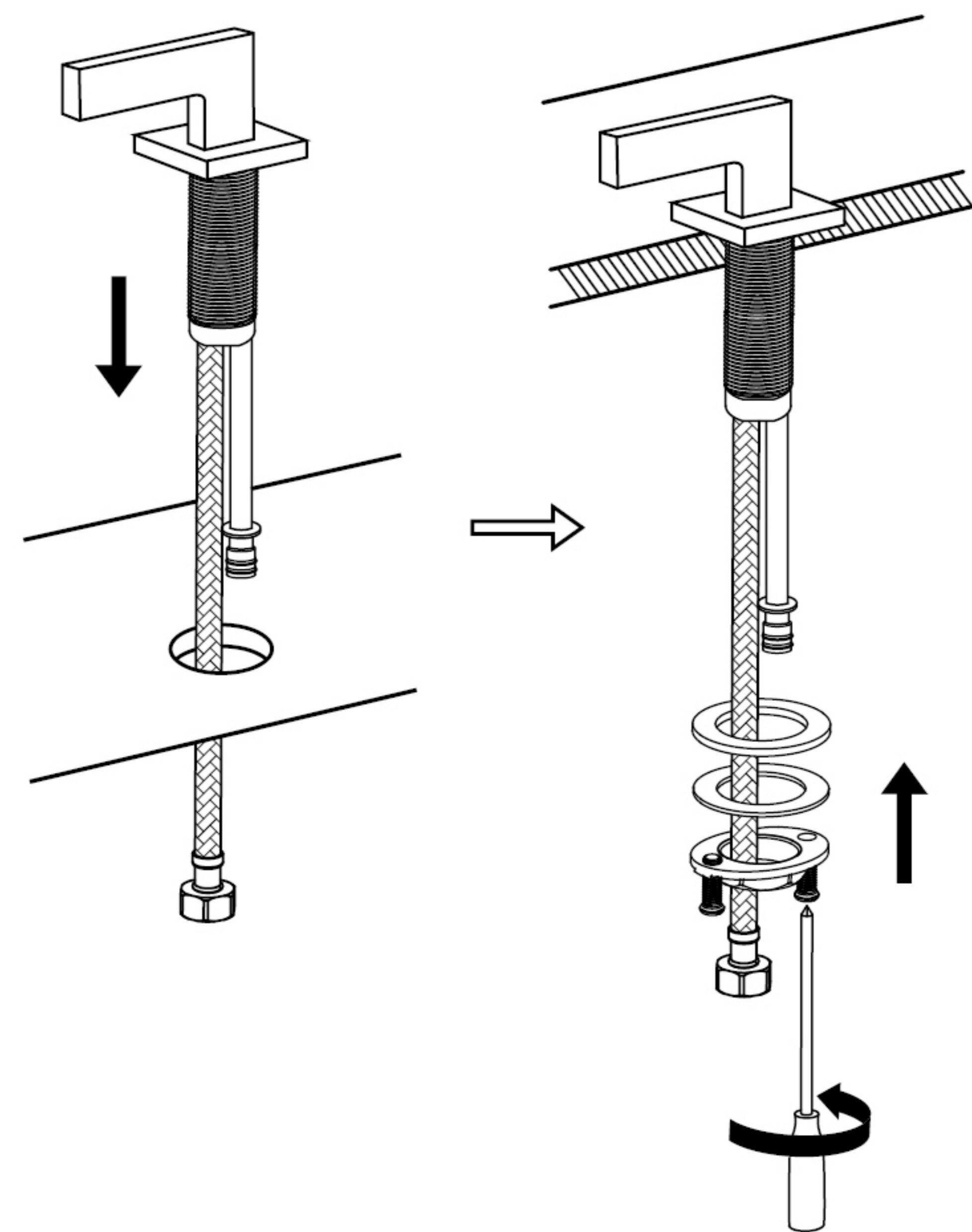
1. Drill holes as recommended opening holes size (Note: holes distance should as picture shows)



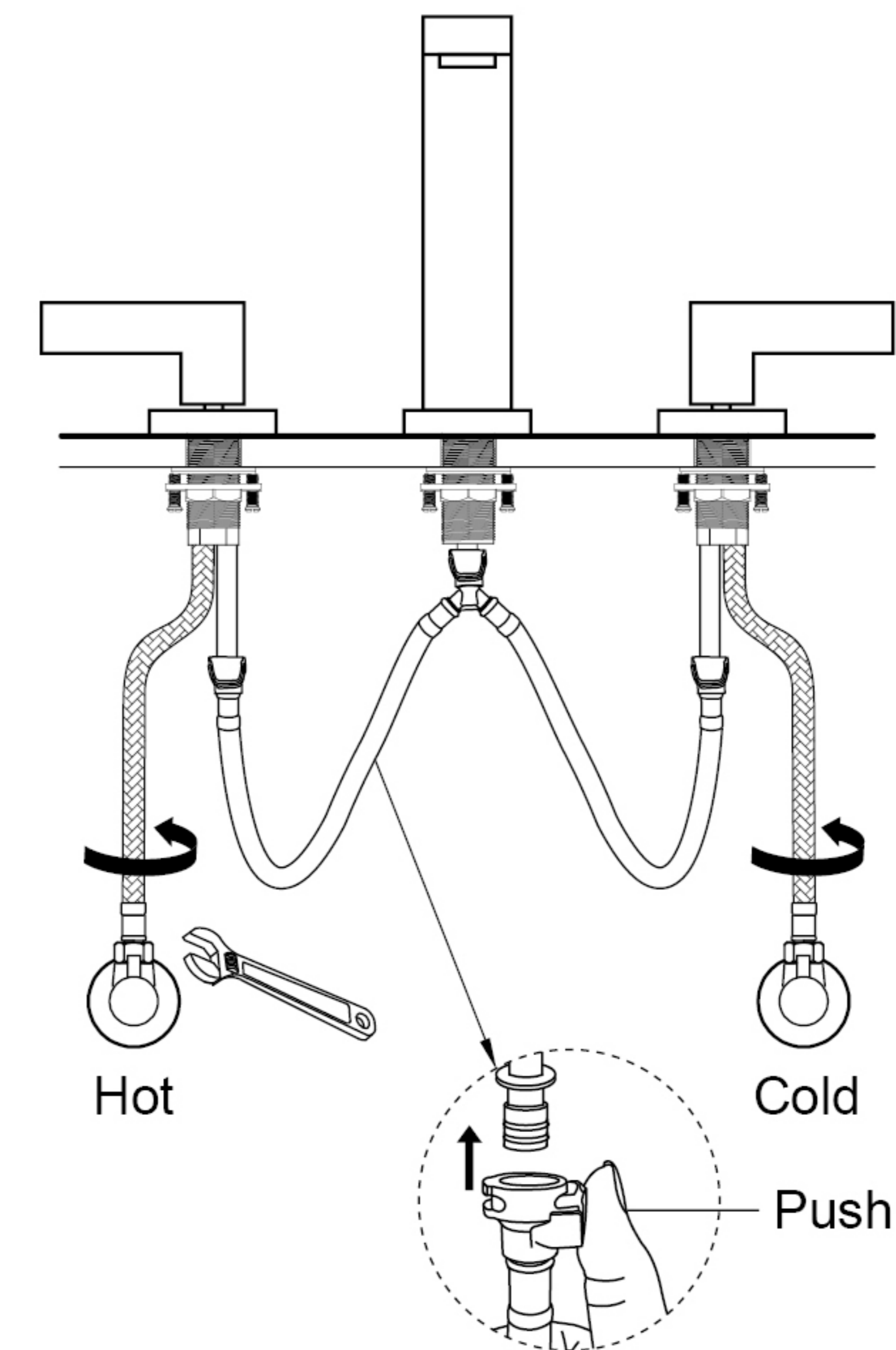
2. Unscrew washers and locking nut from thread connector, place spout into hole. Rescrew washers and locking nut to thread connector then tighten the screws on the locking nut with cross screwdriver.



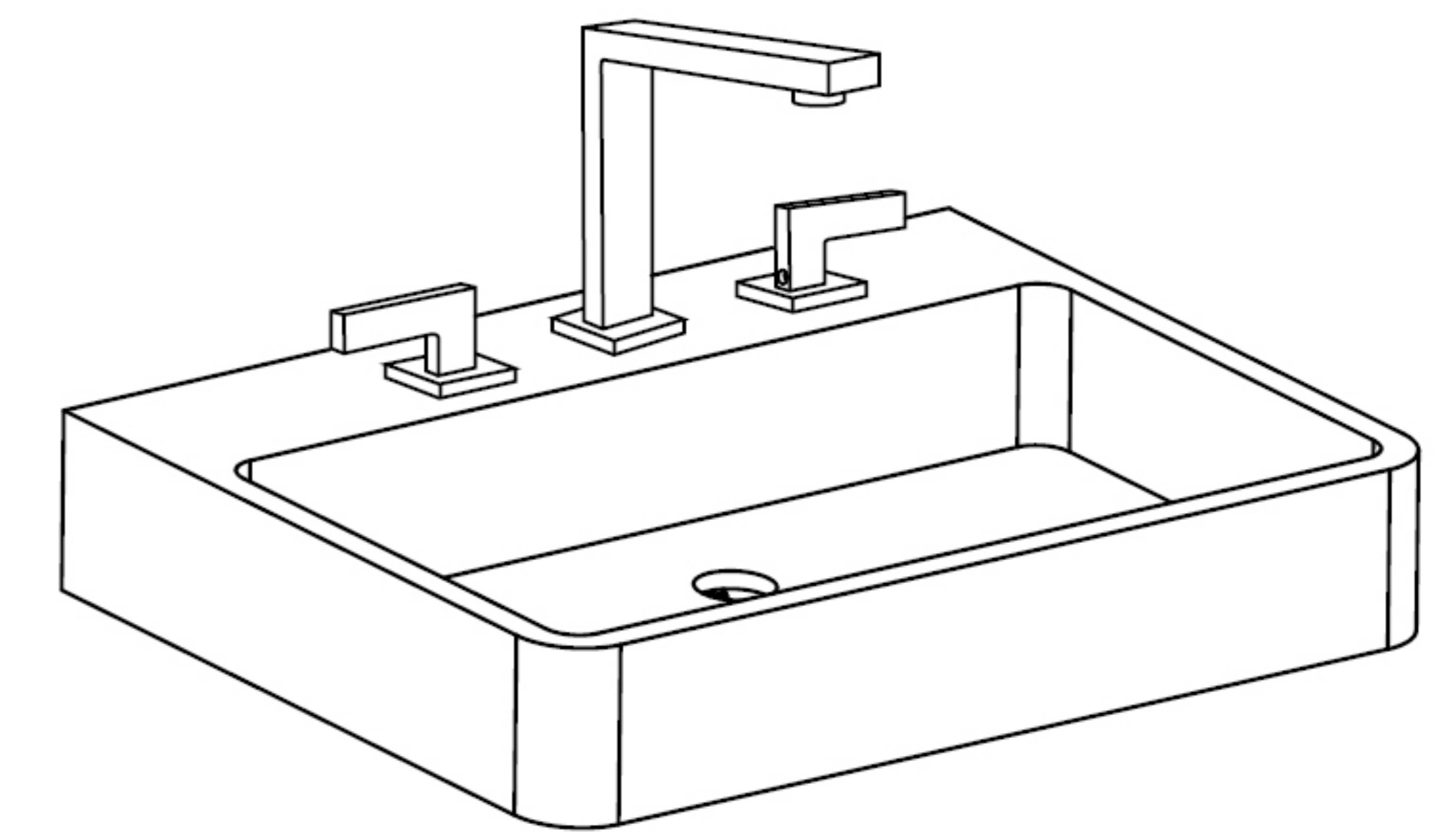
3. Unscrew washers and locking nut from thread connector of hot & cold water lever; Screw hot & cold water supply hoses to the hot & cold water lever holes and hand tighten them.



4. Place hot and cold water lever parts into holes; Rescrew washers and locking nut to thread connector until can not move, then tighten the screws on the locking nut with cross screwdriver.



5. As picture shows, connect quick connector hose to the connectors of spout and hot and cold water levers, then screw hot and cold water supply hoses to hot and cold angle valves and tighten them with wrench.



6. Turn on water, check for leakage, retighten the hoses if necessary.